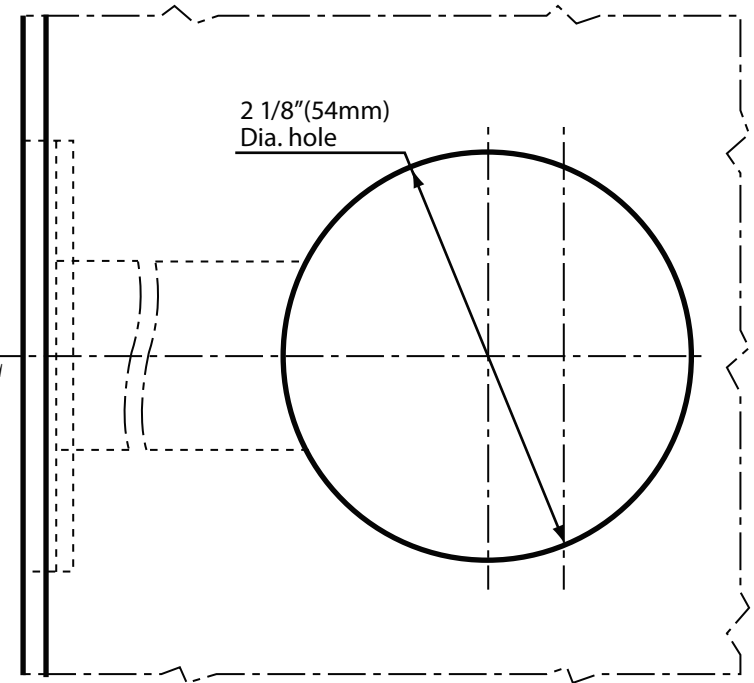
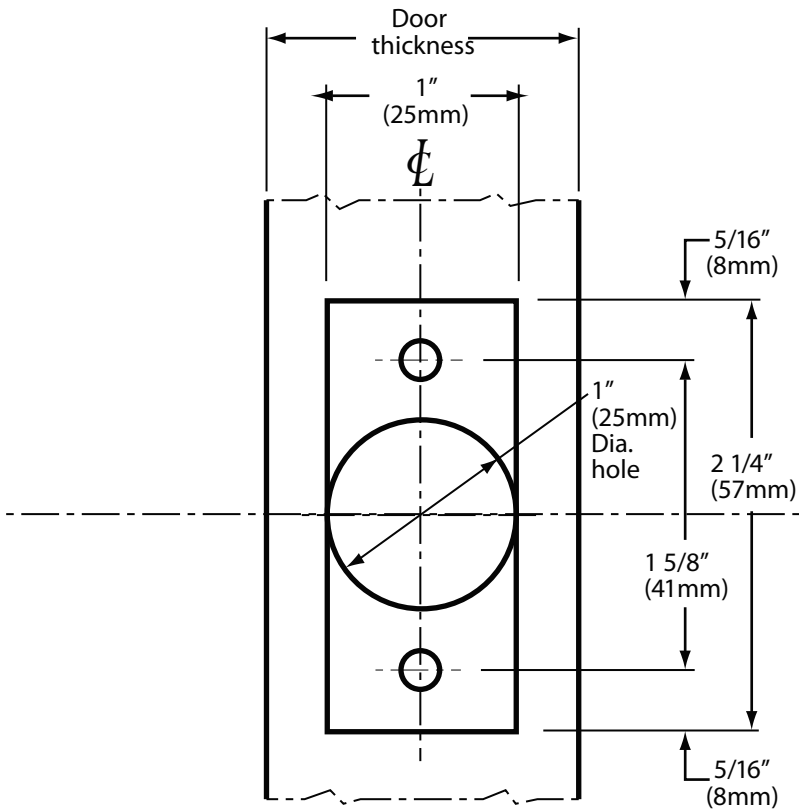
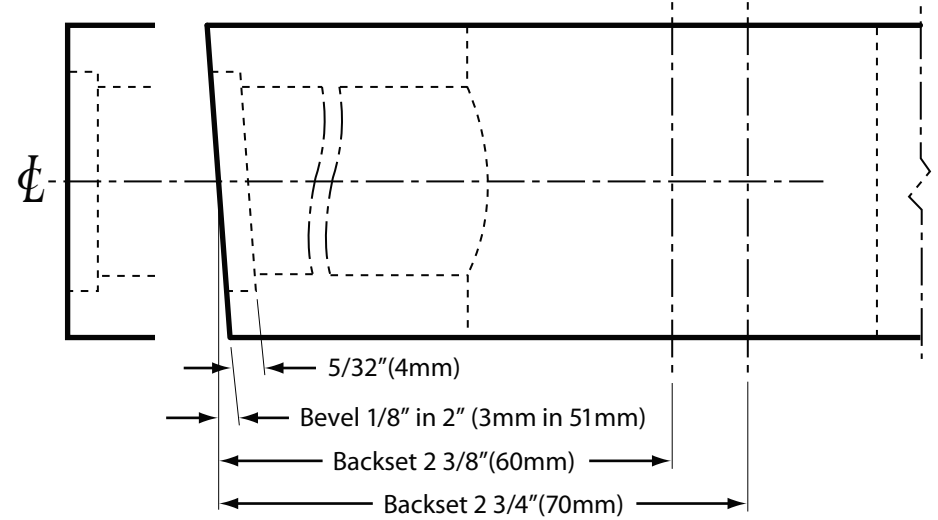
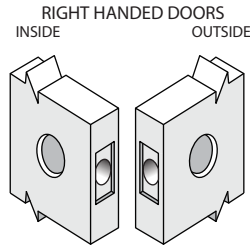
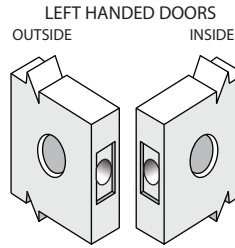


Standard Packaging:

Latchbolt: Adjustable 2-3/4" & 2-3/8"

Face plate: 1" x 2-1/4"

Plastic filler for 1-1/8" latch prep



NOTE: Applicable for all functions except dummy

6605 Flotilla St.
City of Commerce
CA 90040 USA
Tel: (323) 888-6601
FAX: (323) 888-6699
Website: cal-royal.com
Email: sales@cal-royal.com

ITEM NO.	DESCRIPTION	ANSI	SCALE	UNIT	VERSION
7500	COLUMBUS 7500 SERIES	A156.2 Grade 2	1 : 1	inches (mm)	ver. 1.0 rev. 04/12
			PAGE 1 OF 1		BY: bteves/sac