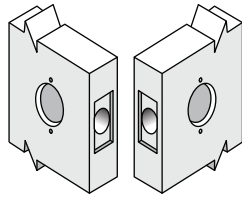


Standard Packaging:

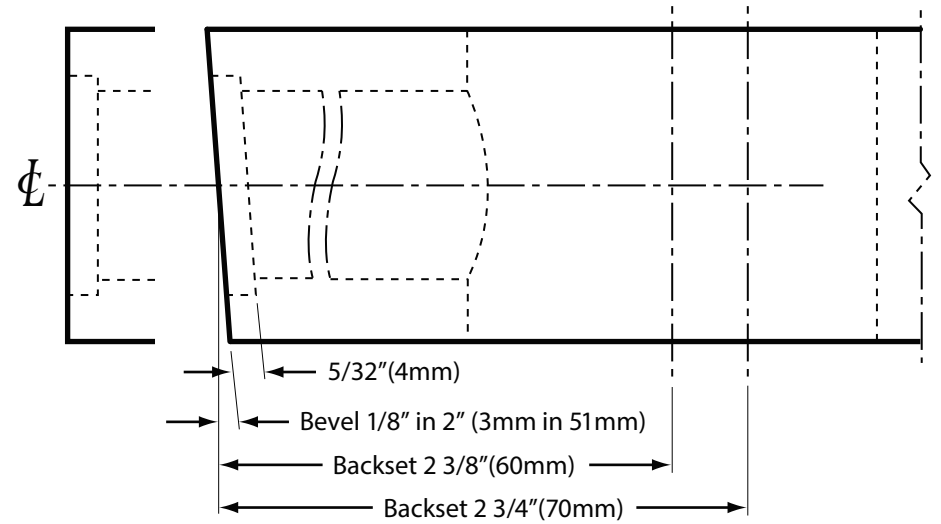
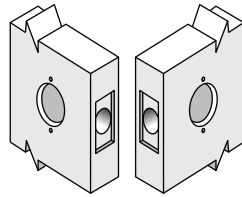
Latchbolt: 2-3/4"

Face plate: 1-1/8" x 2-1/4"

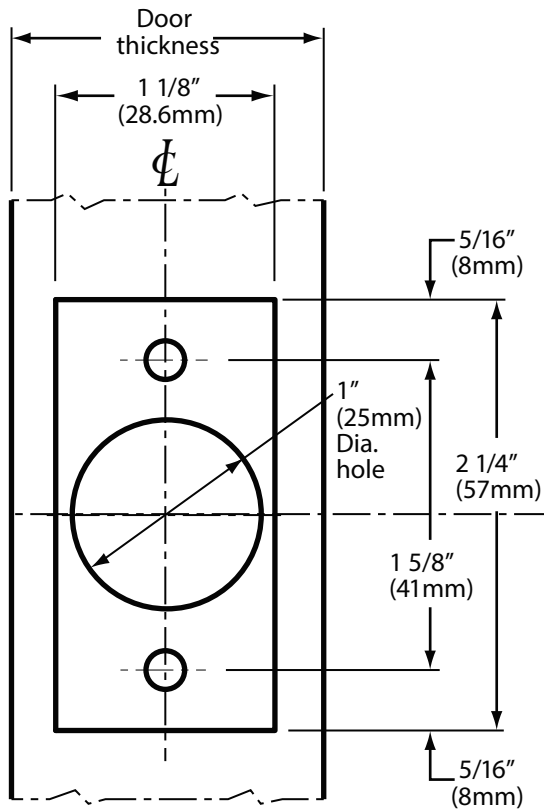
LEFT HANDED DOORS
OUTSIDE INSIDE



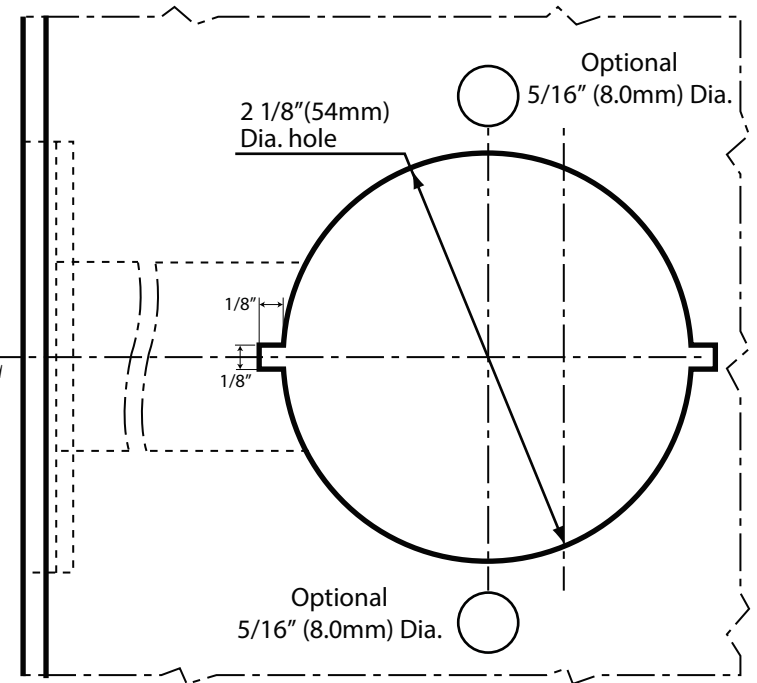
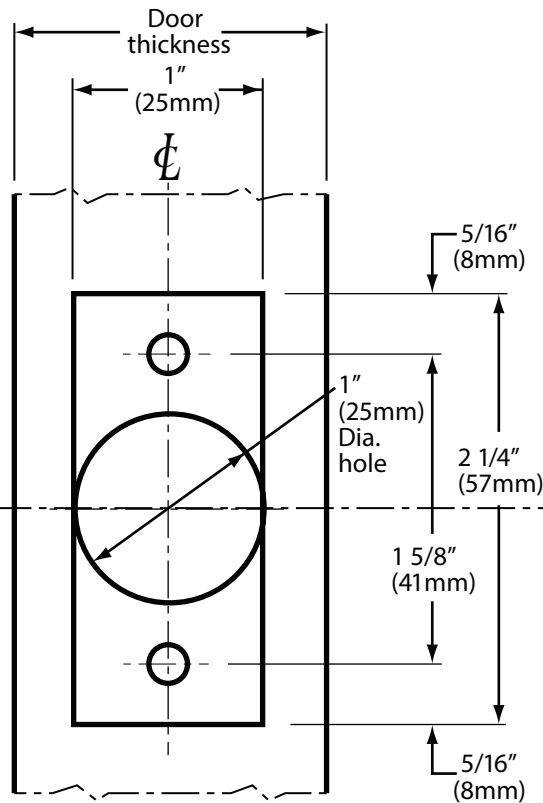
RIGHT HANDED DOORS
INSIDE OUTSIDE



Standard 2-3/4" Latch



Optional 2-3/8" Latch



NOTE: Applicable for all functions

6605 Flotilla St.
City of Commerce
CA 90040 USA
Tel: (323) 888-6601
FAX: (323) 888-6699
Website: cal-royal.com
Email: sales@cal-royal.com

| ITEM NO. | DESCRIPTION | ANSI | SCALE | UNIT | VERSION |
|--------------|--|-------------------|-------------|----------------|-----------------------|
| ICCOM | COMMANDER SERIES CLUTCH MECHANISM OPTIONAL THRUBOLT | A156.2 Grade 2 | 1 : 1 | inches (mm) | ver. 1.0 rev. 04/12 |
| | | | PAGE 1 OF 1 | | BY: bteves/sac |