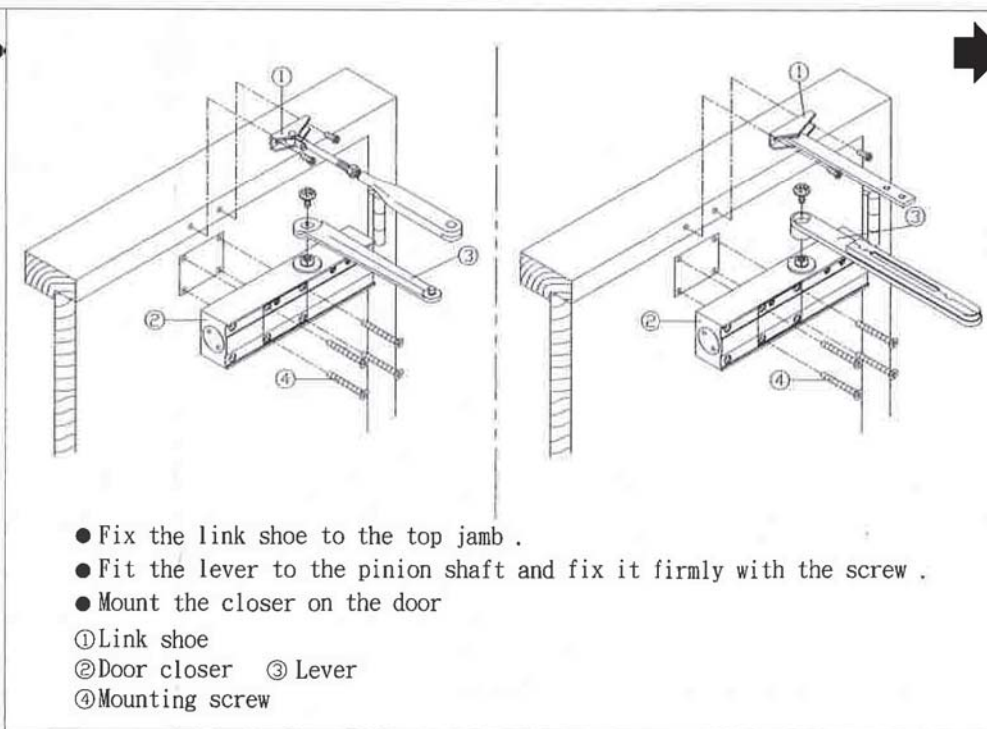
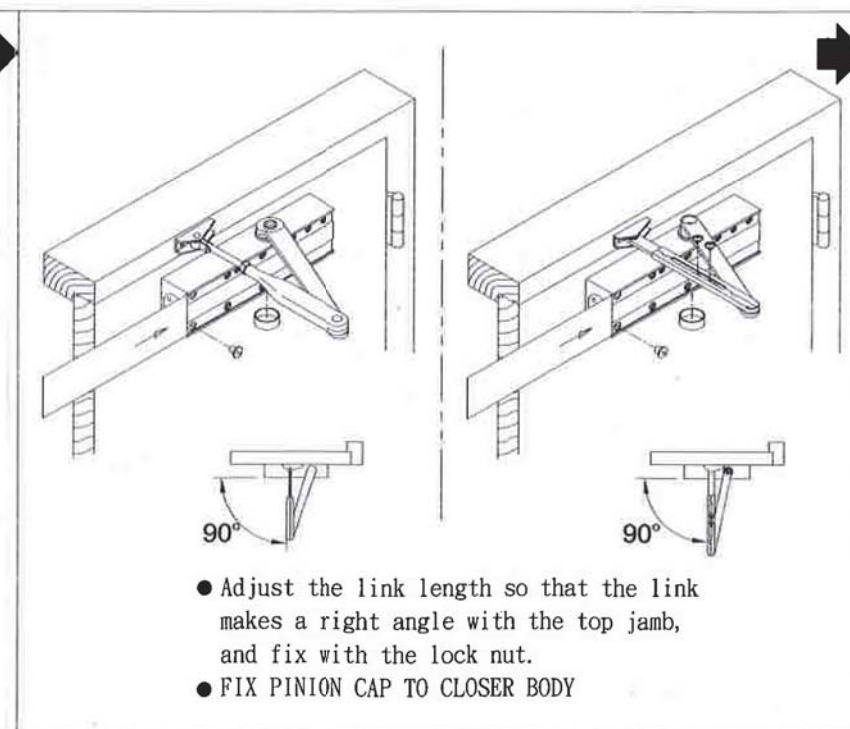


● Determine the installation position of the door closer place the template on the closed door and the top jamb, and make holes in them with a punch or other proper tools

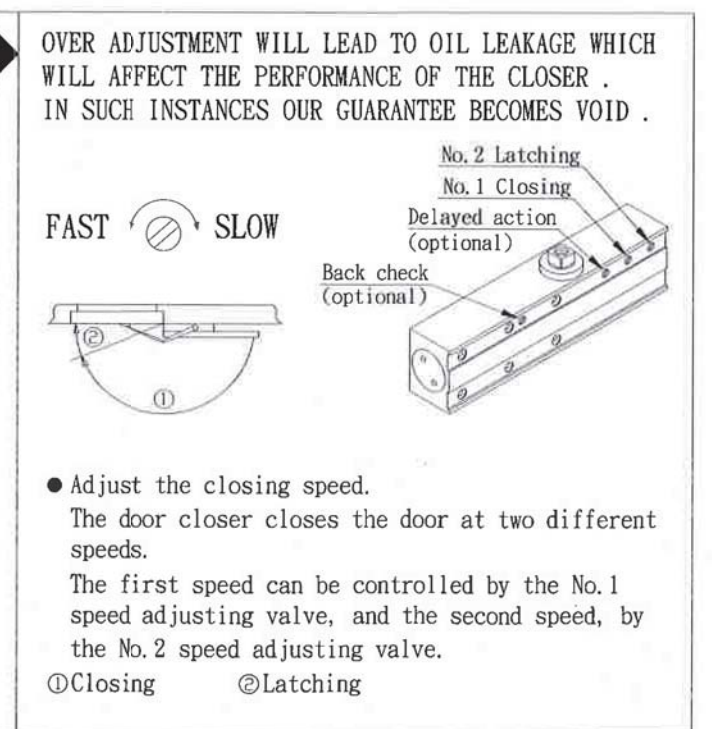
① Template



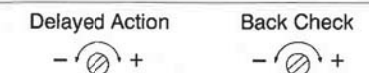
- Fix the link shoe to the top jamb .
  - Fit the lever to the pinion shaft and fix it firmly with the screw .
  - Mount the closer on the door
- ① Link shoe  
② Door closer ③ Lever  
④ Mounting screw



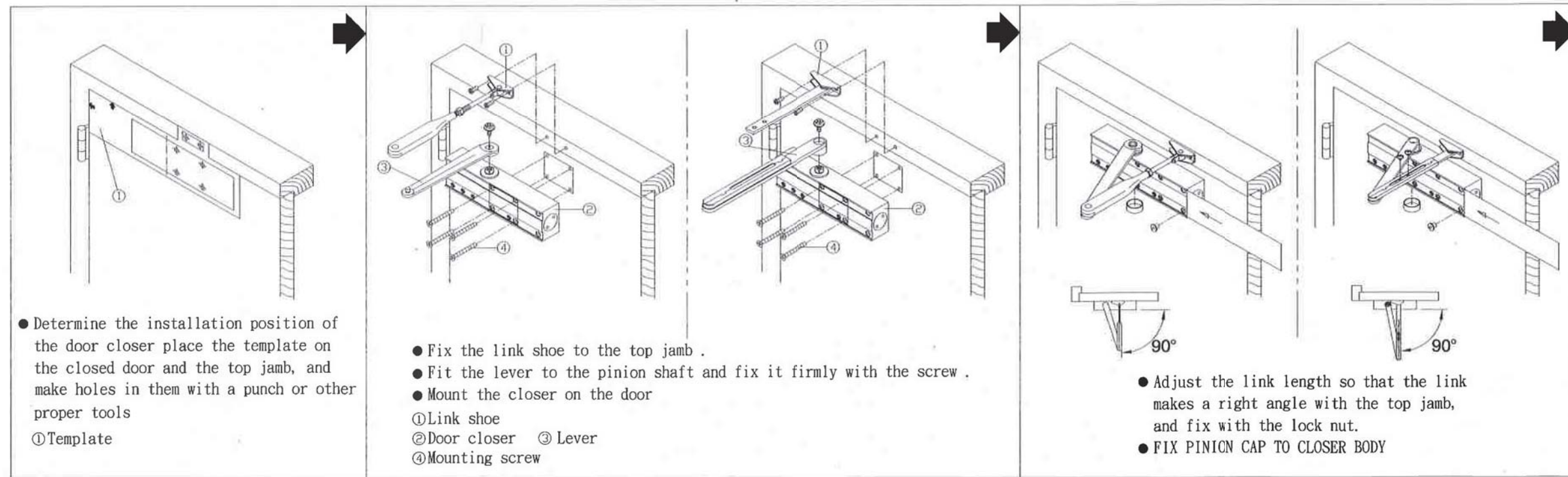
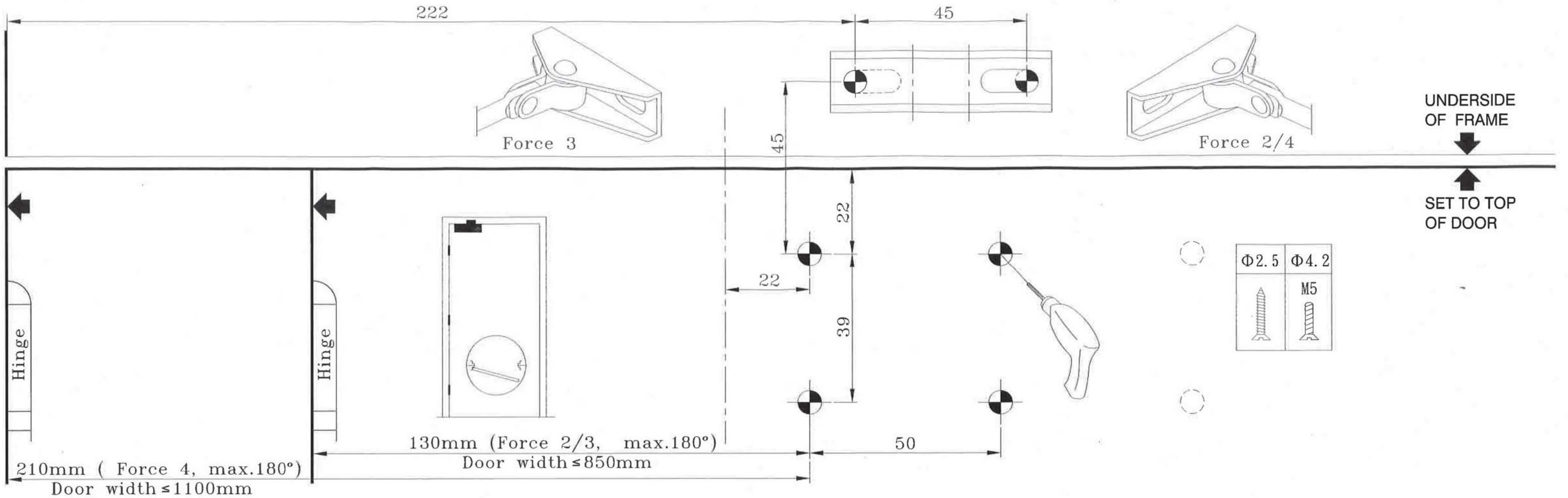
- Adjust the link length so that the link makes a right angle with the top jamb, and fix with the lock nut.
- FIX PINION CAP TO CLOSER BODY



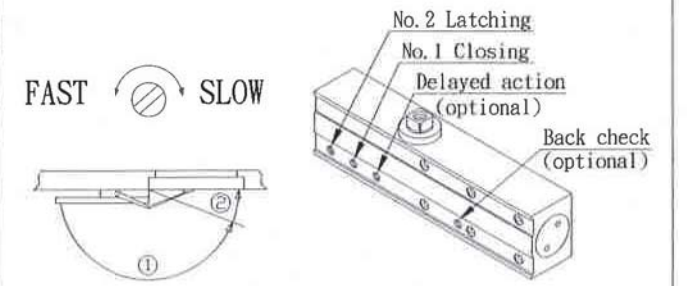
- Adjust the closing speed.  
The door closer closes the door at two different speeds.  
The first speed can be controlled by the No.1 speed adjusting valve, and the second speed, by the No.2 speed adjusting valve.
- ① Closing    ② Latching



- Maximum opening angle at 180°.
- Maintenance: Check quarterly to ensure correct setting of door closing and latching speeds and that fixing screws are tight. A small amount of oil applied to door hinges and the arm joints and rollers will assist performance.

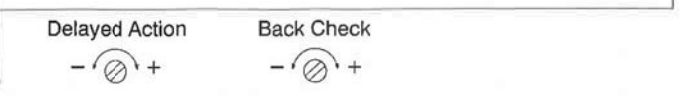


OVER ADJUSTMENT WILL LEAD TO OIL LEAKAGE WHICH WILL AFFECT THE PERFORMANCE OF THE CLOSER . IN SUCH INSTANCE OUR GUARANTEE BECOMES VOID .



- Adjust the closing speed.  
The door closer closes the door at two different speeds.  
The first speed can be controlled by the No.1 speed adjusting valve, and the second speed, by the No.2 speed adjusting valve.

① Closing    ② Latching



- Maximum opening angle at 180°.
- Maintenance: Check quarterly to ensure correct setting of door closing and latching speeds and that fixing screws are tight. A small amount of oil applied to door hinges and the arm joints and rollers will assist performance.