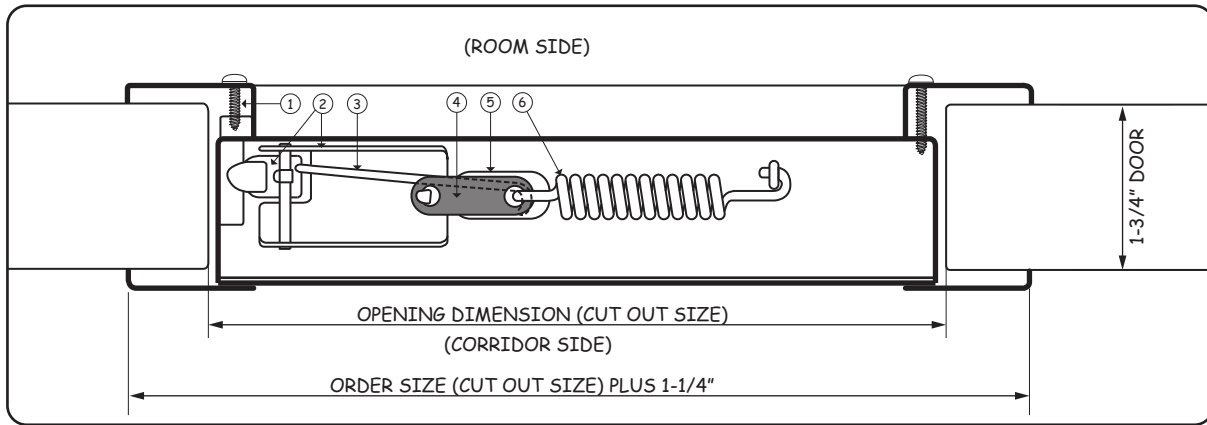


INSTALLATION INSTRUCTIONS FLLV FUSIBLE LINK LOUVERS



1. Before installing the FLLV Fusible Link Louvers into a fire rated door, make sure that the door cut out (order size) is accurate.
2. Position the corridor side of the louver to the door and while holding it place the room side panel against it.
3. Align the screw holes then screw the mounting screws.
Tighten the screws just enough to hold the louvers in place.
After placing all screws align and level the louvers on both the room and corridor side. Tighten screws once the louvers are leveled.

Warnock Hersey



- ① Mounting Screws - #8 phillips head (3 @ 3/4" LG & 1 @ 3/8" LG)
Use the 3/8" screw in hole nearest the fuse link.
- ② Rocker Arm, Closing Bar and housing
- ③ "S" Hook - .080" Cadmium plated steel
- ④ Fusible link - Design temp. 165° F max
- ⑤ Heat opening - 1/2" x 1"
- ⑥ Tension spring - 3" LG x 1/2" dia x .063" thick.
Cadmium plated steel

