

IVHP23

JUMBO HEAVY DUTY HINGE PIN DOOR STOP

Features

- Adjustable angle setting
- Easy installation
- Use plastic bushing for residential grade hinges
- 1/4" or 5/16" diameter hinge pins for 3-1/2" x 3-1/2", 4" x 4" hinges
- Individually poly-bagged
- Comparable to IVES #69, 69F

Application

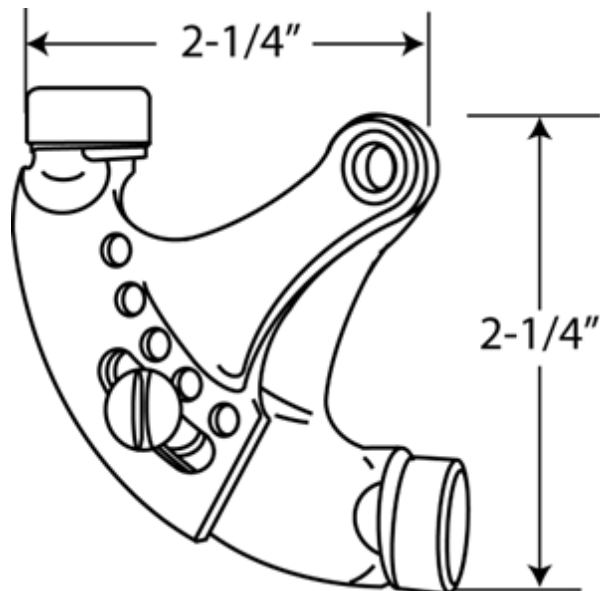
- Residential

Finishes

- US3 - Polished Brass
- US5 - Satin Brass, Oxidized
- US10B - Oil Rubbed Bronze
- US15 - Satin Nickel
- US15A - Satin Nickel, Oxidized
- US26 - Polished Chrome
- US26D - Satin Chrome
- US1 - Black



IVHP23



CAL-ROYAL PRODUCTS, INC.

6605 Flotilla St., City of Commerce, CA 90040 U.S.A.
Phone: (323) 888-6601 • (800) 876-9258 • Fax: (323) 888-6699 • (800) 222-3316
Email: sales@cal-royal.com • Website: www.cal-royal.com

The illustration and technical description in this cut sheet is current as of the date in the version date on the right. Cal-Royal Product reserves the right to, and may, on occasions, make changes and/or improvements in designs and dimensions without prior notice.

(BHC-7021-02/24-1of1)
2024 01
YEAR PRINTED VERSION NO.
© Cal-Royal Products, Inc. 2024