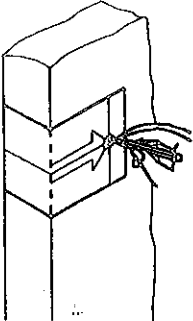


INSTALLATION INSTRUCTIONS FOR DUMMY KNOB / LEVER

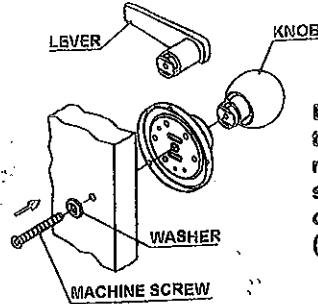
CA/TA/TE75

1. MARK DOOR



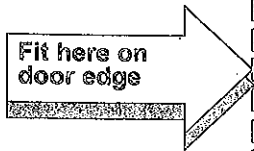
Start approximately 36" (915mm) from floor. Fold and apply template to high edge of door bevel and mark center point on door face through guide on template for 2-3/8" (60mm) or 2-3/4" (70 mm) backset.

2. INSTALL KNOB (OR LEVER)



Drill a 3/8" (10mm) hole through door face as marked. Insert machine screw from inside of door then tighten knob (or lever).

TEMPLATE



Drill 3/8" (10mm) hole according to size of selected backset

For backset 2-3/8" (60mm)

For backset 2-3/4" (70mm)

