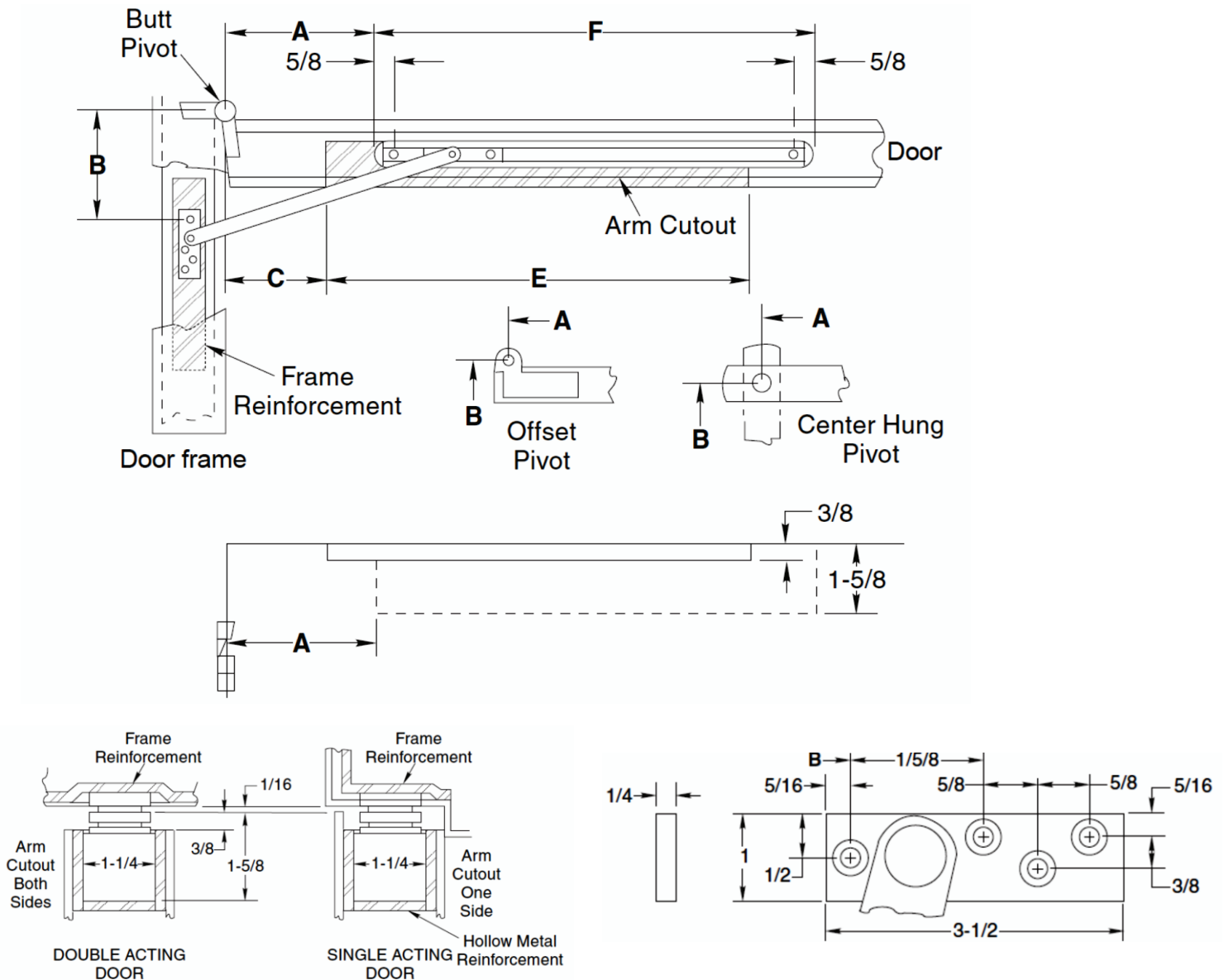


# CON880 Series Installation Instructions

(Heavy Duty, Concealed Mount - STOP)



## Installation:

1. Select proper degree of door opening, then select corresponding dimensions from the chart.
2. Locate "B" dimension on frame and mortise 1/4" deep for jamb bracket as shown.
3. Locate "A" and "F" dimensions on center line of door and mortise 1-5/8" deep for channel. 1/16" head clearance shown. Coordinate the arm and rail cutout dimensions if head clearance varies.
4. Locate "C" and "E" dimensions on top of door and mortise 3/8" deep as shown for arm clearance.
5. Install door stop with screws provided.

## Notes:

1. All hollow metal frames are to be provided with 3/16" min. thickness x 12" min. length reinforcement plates.
2. All hollow metal doors are to be properly reinforced as shown.
3. A, B and C dimensions are measured from center line of pivot, not edge of door.
4. Reversible, non-handed.
5. All dimensions are given in inches.



# CON880 Series Installation Instructions

(Heavy Duty, Concealed Mount - STOP)

CON880 Series Dimensions															
Hinge	Model	Door opening	90°				100°				110°				F
			A	B	C	E	A	B	C	E	A	B	C	E	
$1\frac{3}{4}$ ~ $2\frac{1}{4}$ Butts & $\frac{3}{4}$ Offset Pivot	CON882S	24~28	$5\frac{1}{2}$	$5\frac{3}{16}$	$5\frac{7}{8}$	$13\frac{1}{4}$	$4\frac{7}{8}$	$4\frac{9}{16}$	$2\frac{7}{8}$	$15\frac{5}{8}$	$4\frac{7}{16}$	$4\frac{1}{8}$	$1\frac{3}{8}$	$16\frac{5}{8}$	$17\frac{3}{16}$
	CON883S	$28\frac{1}{16}$ ~33	$7\frac{3}{16}$	$6\frac{3}{16}$	$6\frac{7}{8}$	$15\frac{7}{8}$	$6\frac{1}{2}$	$5\frac{1}{2}$	$4\frac{7}{8}$	$17\frac{3}{16}$	6	5	$2\frac{3}{8}$	$19\frac{1}{8}$	$18\frac{7}{16}$
	CON884S	$33\frac{1}{16}$ ~38	$10\frac{11}{16}$	$7\frac{7}{16}$	$8\frac{5}{8}$	$19\frac{1}{8}$	$9\frac{13}{16}$	$6\frac{9}{16}$	$7\frac{5}{8}$	$19\frac{1}{4}$	$9\frac{1}{4}$	6	$5\frac{5}{8}$	$20\frac{5}{8}$	$19\frac{15}{16}$
	CON885S	$38\frac{1}{16}$ ~43	$13\frac{9}{16}$	$9\frac{3}{16}$	$10\frac{3}{8}$	$22\frac{3}{8}$	$12\frac{9}{16}$	$8\frac{3}{16}$	$9\frac{3}{8}$	$22\frac{3}{8}$	$11\frac{13}{16}$	$7\frac{7}{16}$	$8\frac{5}{8}$	$22\frac{3}{8}$	$22\frac{1}{16}$
	CON886S	$43\frac{1}{16}$ ~48	$17\frac{1}{16}$	$11\frac{1}{16}$	$11\frac{5}{8}$	$26\frac{1}{4}$	$15\frac{15}{16}$	$9\frac{5}{16}$	$10\frac{3}{8}$	$26\frac{1}{4}$	$15\frac{1}{8}$	$8\frac{1}{2}$	$9\frac{5}{8}$	$26\frac{1}{4}$	$23\frac{9}{16}$
Center Hung	CON882S	---	---	---	---	---	---	---	---	---	---	---	---	---	---
	CON883S	30~36	$7\frac{5}{8}$	$6\frac{5}{8}$	$7\frac{3}{4}$	$15\frac{3}{8}$	$6\frac{11}{16}$	$5\frac{15}{16}$	$7\frac{1}{8}$	$15\frac{3}{8}$	---	---	---	$19\frac{1}{8}$	$18\frac{7}{16}$
	CON884S	$36\frac{1}{16}$ ~41	$11\frac{1}{4}$	8	$9\frac{1}{8}$	$19\frac{1}{8}$	$10\frac{1}{16}$	$7\frac{3}{16}$	$8\frac{3}{8}$	$19\frac{1}{8}$	$9\frac{3}{4}$	$6\frac{1}{2}$	$7\frac{5}{8}$	$19\frac{1}{8}$	$19\frac{15}{16}$
	CON885S	$41\frac{1}{16}$ ~46	14	$9\frac{5}{8}$	$10\frac{3}{4}$	$22\frac{3}{8}$	$12\frac{5}{8}$	$8\frac{5}{8}$	$9\frac{7}{8}$	$22\frac{3}{8}$	$12\frac{1}{4}$	$7\frac{7}{8}$	$9\frac{1}{8}$	$22\frac{3}{8}$	$22\frac{1}{16}$
	CON886S	$46\frac{1}{16}$ ~50	$17\frac{5}{8}$	11	$12\frac{1}{8}$	$26\frac{1}{8}$	16	$9\frac{13}{16}$	$10\frac{7}{8}$	$26\frac{1}{8}$	$15\frac{9}{16}$	$8\frac{15}{16}$	$10\frac{1}{8}$	$26\frac{1}{8}$	$23\frac{9}{16}$