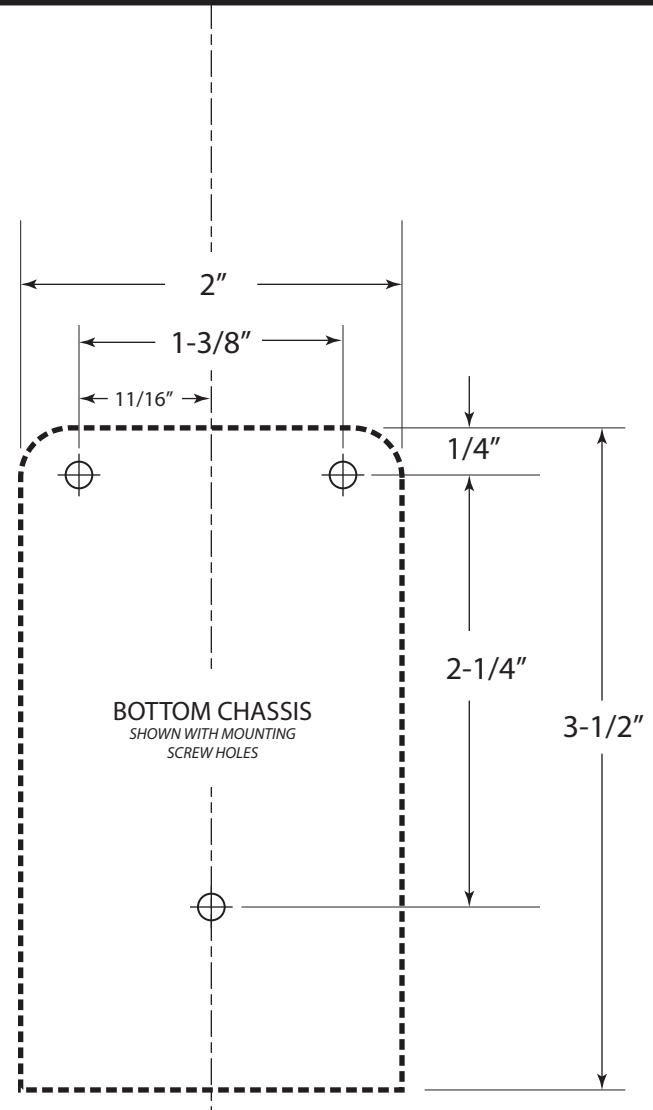
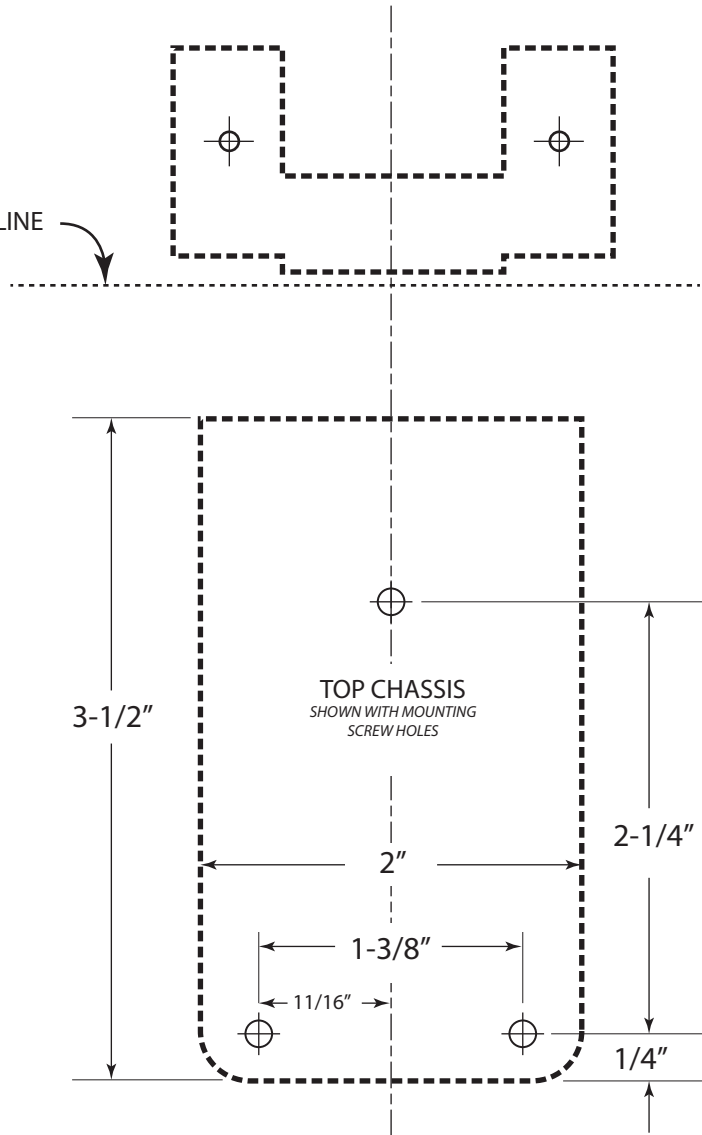


FOLD ON DOTTED LINE



FOR LOCATION ON THE DOOR PLEASE REFER TO PANIC BAR TEMPLATE



6605 Flotilla St.  
 City of Commerce  
 CA 90040 USA  
 Tel: (323) 888-6601  
 FAX: (323) 888-6699  
 Website: cal-royal.com  
 Email: sales@cal-royal.com

**DESCRIPTION**

TEMPLATE FOR NON-FIRE RATED TOP AND BOTTOM  
 CHASSIS ASSEMBLY  
 APPLICABLE FOR 2200, 7700 & 9800 SERIES

**ANSI**

---

**SCALE**

1 : 1

PAGE 1 OF 1

**UNIT**

inches  
(mm)

**VERSION**

ver. 1.0 rev. 04/12

BY: bteves/adg