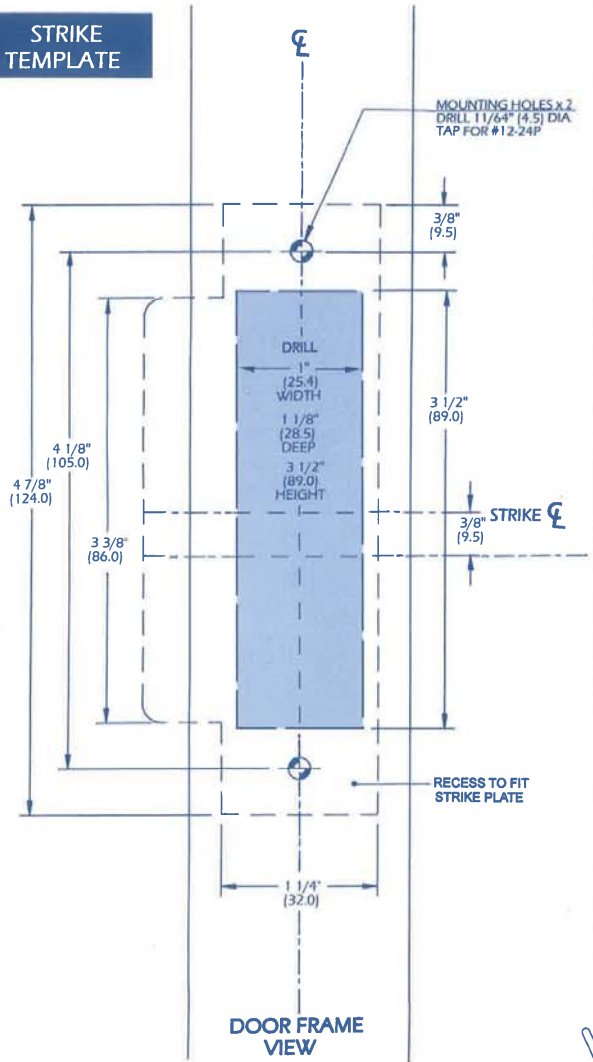




MORTISE LOCK INSTALLATION TEMPLATE

STRIKE TEMPLATE



FOR OPPOSITE HAND PLEASE SEE REVERSE SIDE

1/2" (12.7) DIA. THRU HOLE
Drill Holes for Escutcheon Plate Only

1 1/4" (32.0) DIA. CYLINDER HOLE

5/8" (16.0) DIA. THUMBTURN HOLE

LOCKCASE

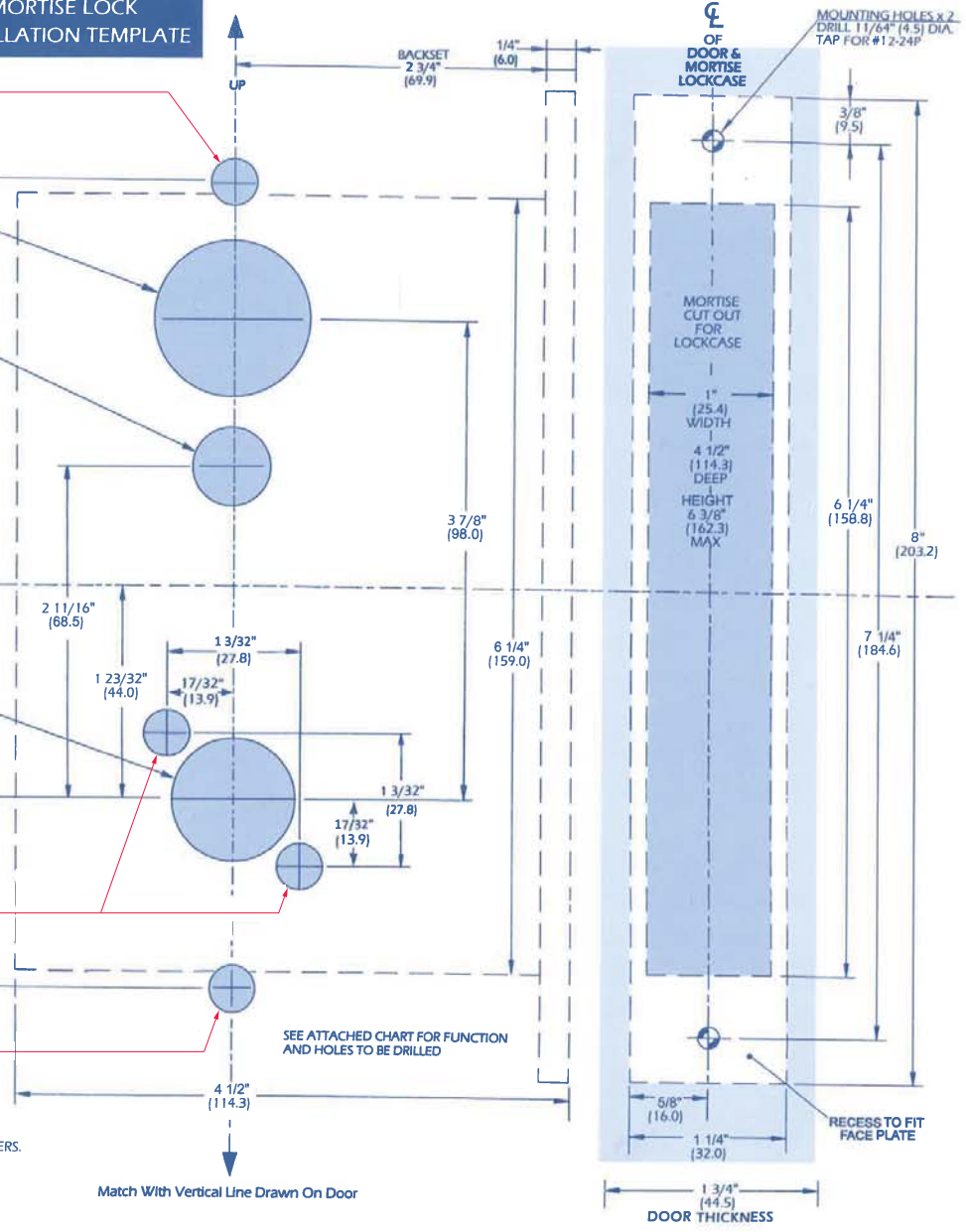
1" (25.4) DIA. LEVER HOLE

HORIZONTAL OF LEVER

3/8" (9.5) DIA. THRU HOLE
Drill Holes for Sectional Trim Only

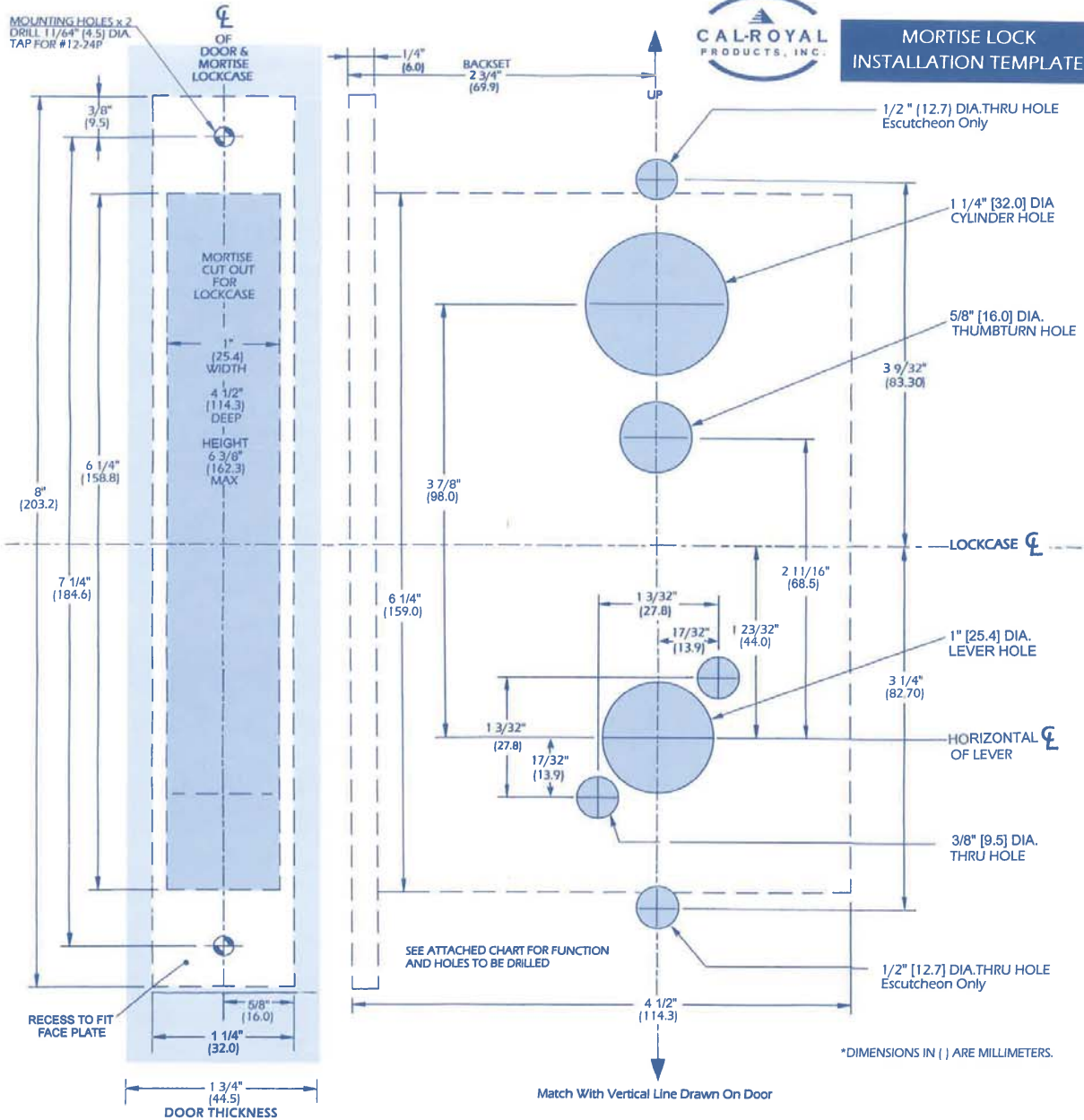
1/2" (12.7) DIA. THRU HOLE
Drill Holes for Escutcheon Plate Only

*DIMENSIONS IN () ARE MILLIMETERS.

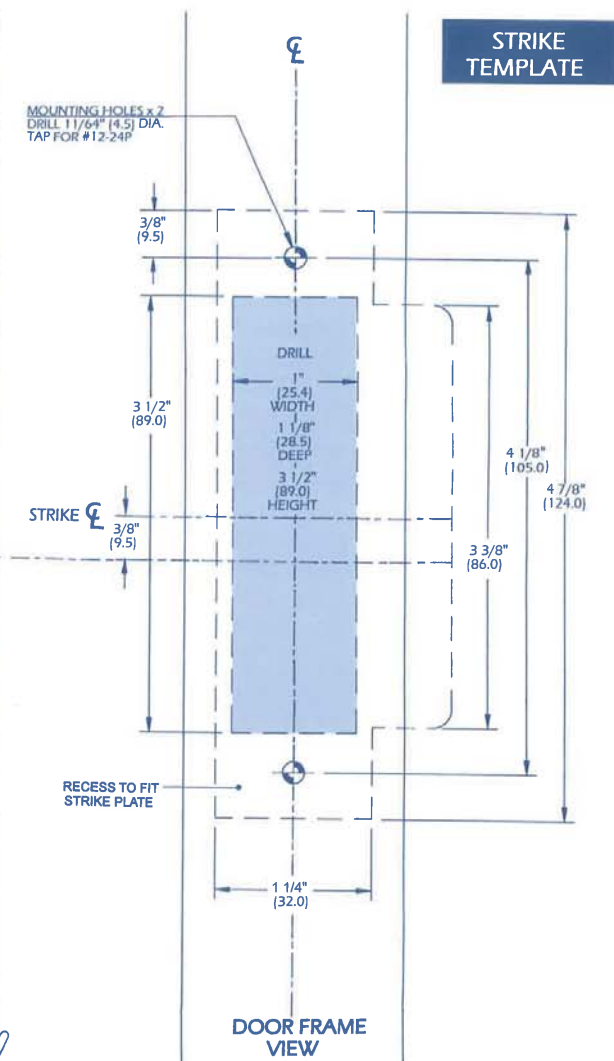




MORTISE LOCK INSTALLATION TEMPLATE



STRIKE TEMPLATE



FOR OPPOSITE HAND PLEASE SEE REVERSE SIDE



SC SERIES MORTISE LOCK DOOR PREPARATION CHART

FUNCTIONS			OUTSIDE			INSIDE		
Mortise Lock Description	ANSI	Model	Lever Hole	Cylinder Hole	Thumbturn Hole	Lever Hole	Cylinder Hole	Thumbturn Hole
Passage	F01	SC8010	■			■		
Office	F04	SC8050	■	■		■		
Classroom	F05	SC8070	■	■		■		
Storeroom	F07	SC8080	■	■		■		
Apartment Entrance/Vestibule	F09	SC8060	■	■		■	■	
Corridor/Exit	F13	SC8456	■	■		■		■
Store/Utility	F14	SC8466	■	■		■	■	
Dead Bolt Double Cylinder	F16	SC8462		■			■	
Dead Bolt Cylinder & Thumbturn	F17	SC8460		■				■
Dead Bolt Single Cylinder	F18	SC8464		■				
Privacy w/ Deadbolt	F19	SC8040	■		■	■		■
Entrance	F20	SC8453	■	■		■		■
Dormitory/Bedroom	F21	SC8473	■	■		■		■
Dead Bolt Classroom	F29	SC8463		■				■
Institution	F30	SC8082	■	■		■	■	
Single Dummy	--	SC8170	■					
Double Dummy	--	SC8172	■			■		
Closet/Storeroom	F65	SC8465	■	■		■		
Classroom Security Lock	F32	SC8071	■	■		■	■	
Classroom Security Lock w/ Deadbolt	F33	SC8457	■	■		■	■	
Classroom Security Lock w/ Deadbolt & Auxillary	F34	SC8458	■	■		■	■	
Privacy w/ Deadbolt, Coin Turn Outside & "OCCUPIED" Indicator	--	SC8445	■		■	■		■