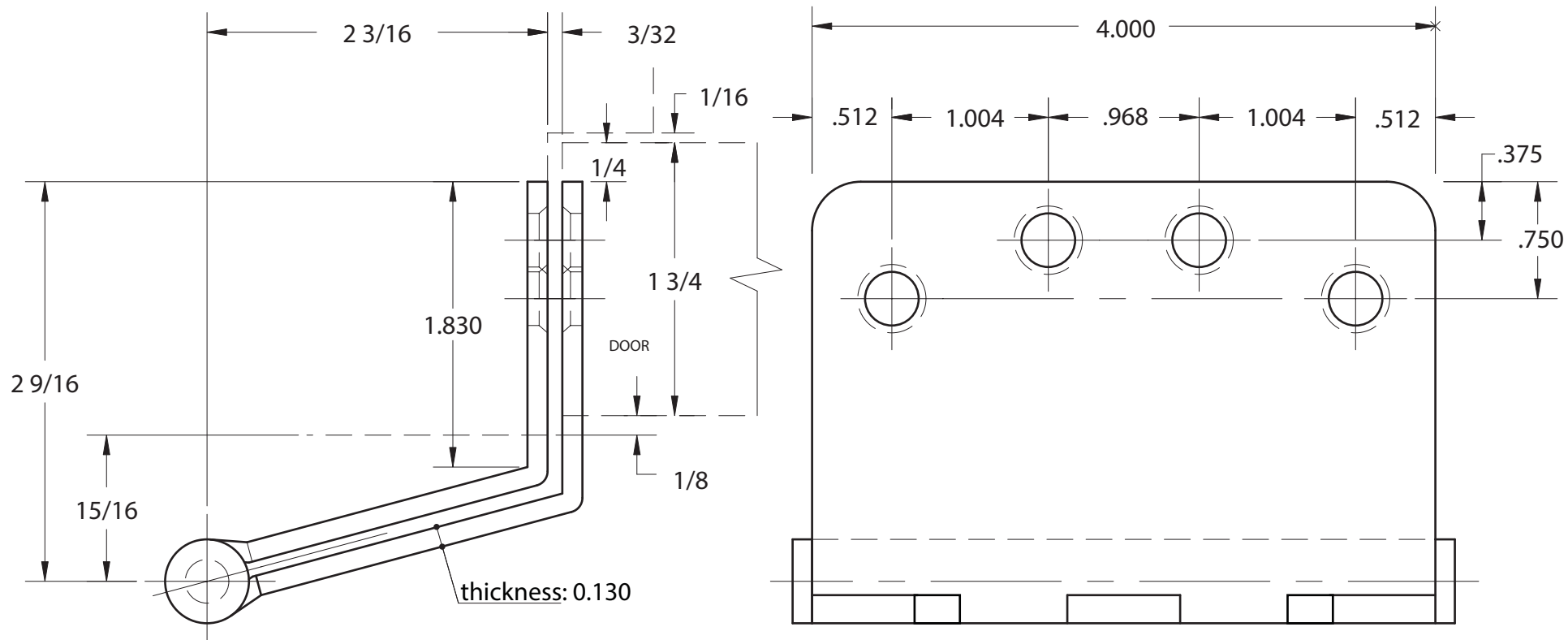


FULL MORTISE
 SWING CLEAR
 TEMPLATE HINGES
 SIZE: 4"
 FOR SQUARE EDGE DOORS



-DO NOT SCALE-

Machine Screw Size- 12-24 x 1/2" F.H.

Wood Screw Size- 1 1/4" x 12 F.H.

Designed to swing doors completely clear of the opening when door is opened 95. When opened 90, door projects 3/16" past stop of jamb.

NOTE: This template is used for square edge doors only. Recommended for doors not to exceed 60 lbs., 3'-0" x 7'-0".

NOTE: This hinge alters the normal pivot point of door. For door closers, friction or overhead door holders to be used in conjunction with this hinge, consult manufacturer of the device for application details.

CAL-ROYAL RESERVES THE RIGHT TO MAKE DESIGN CHANGES WITHOUT NOTICE.



6605 Flotilla St.
 City of Commerce
 CA 90040 USA
 Tel: (323) 888-6601
 FAX: (323) 888-6699
 Website: cal-royal.com
 Email: sales@cal-royal.com

ITEM NO.	DESCRIPTION	SCALE	UNIT	VERSION
BB40058	4", 2-Ball Bearing Swing Clear Hinges Round Corner 5/8" radius	NOT TO SCALE	inches	ver. 1.0 rev. 07/14
		PAGE 1 OF 1		BY: bteves/adg