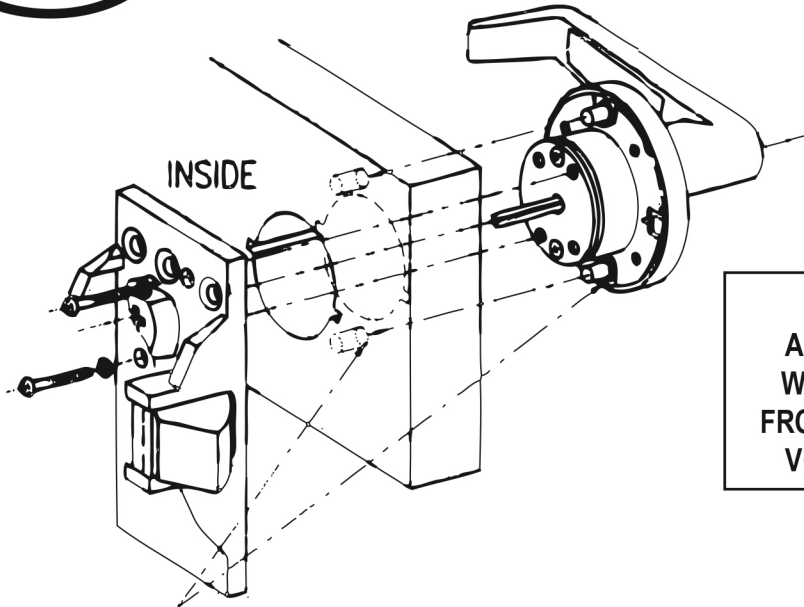




INSTALLATION INSTRUCTIONS FOR TRIM OF PANIC EXIT DEVICE WHEN YOUR DOOR HAS CYLINDRICAL LOCK CUT-OUT

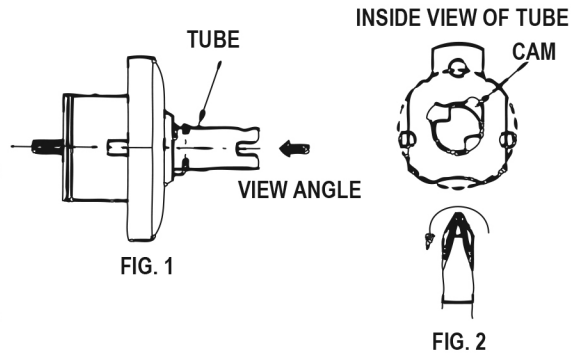


**ENT00L STR05L
PAS30L DUM40L**

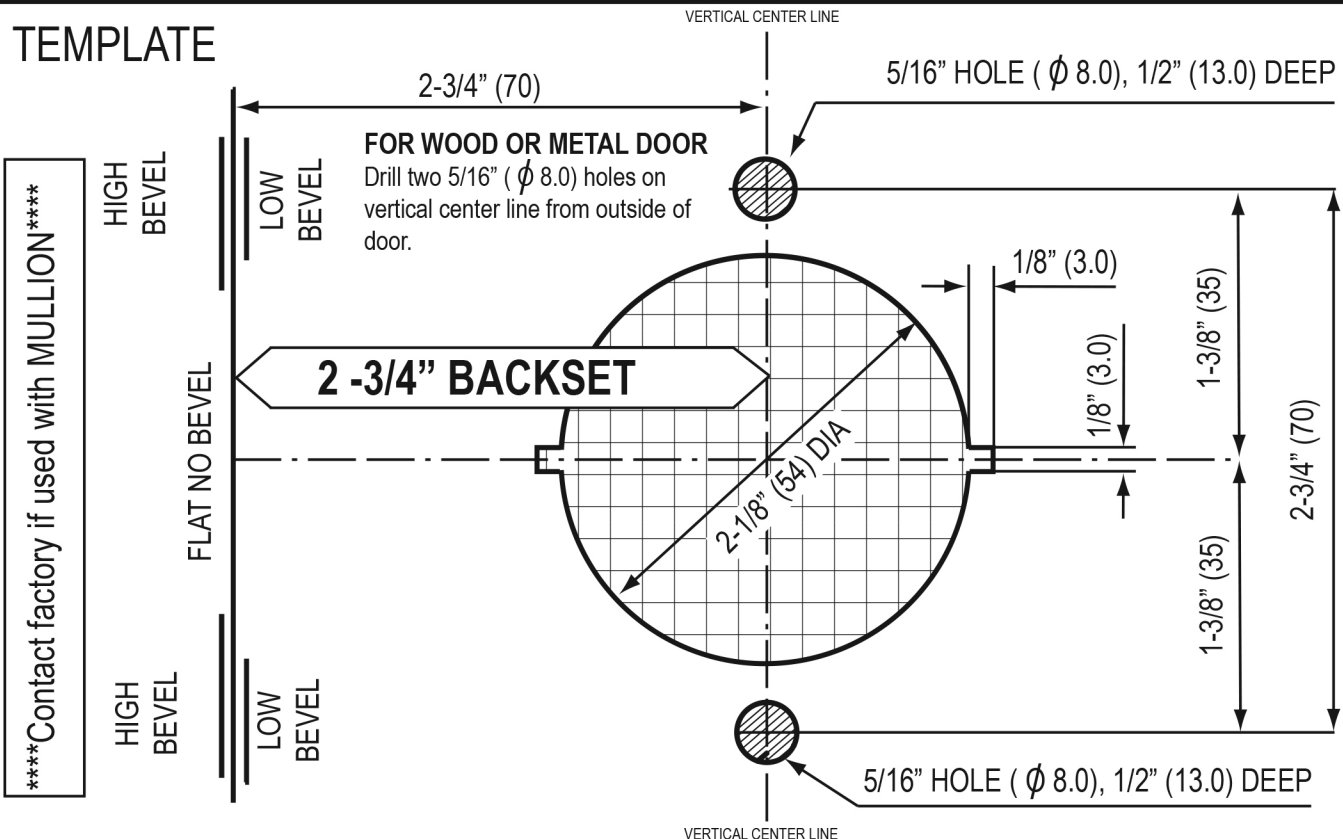
CAUTION
ALWAYS USE PROVIDED SPRING WASHERS TO PREVENT SCREWS FROM COMING LOOSE. WARRANTY VOIDED FOR NON-COMPLIANCE.

IMPORTANT !

- 1) ALIGNMENT STUDS **MUST** ENTER INTO (2) 5/16" FIELD-DRILLED HOLES ON OUTSIDE OF DOOR (EXISTING SLOTS CAN BE ELONGATED WITH A FILE)
- 2) MAKE SURE TO TURN CAM COUNTER CLOCKWISE BY PHILLIPS DRIVER HOLDING TUBE WITH FINGERS AS FAR AS IT WILL GO BEFORE RE-ASSEMBLING OF HANDLE TO PREVENT MIS-POSITIONING OF CAM. (SEE FIG. 1 AND FIG. 2)

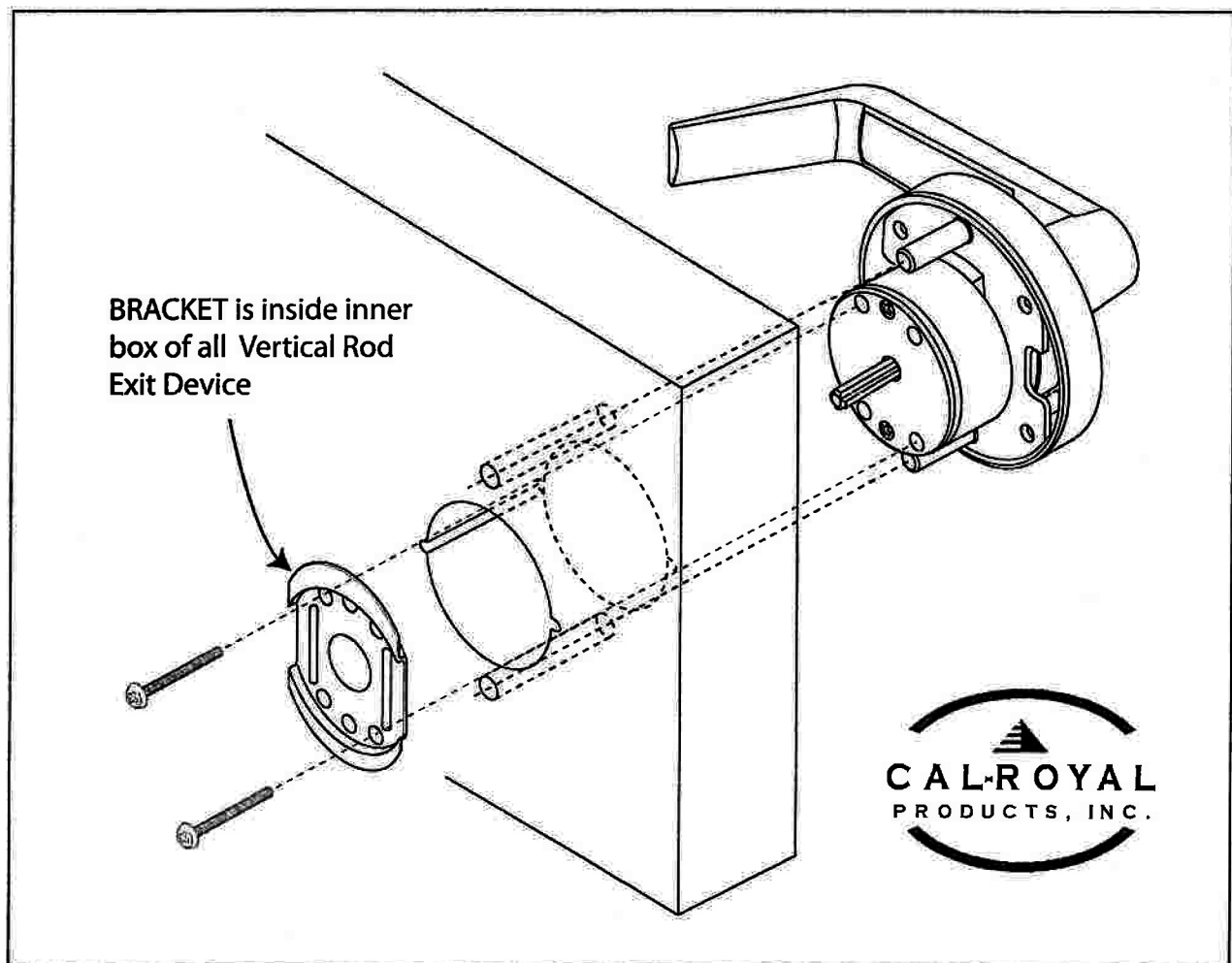


TEMPLATE



IMPORTANT

INSTALLATION INSTRUCTIONS FOR LEVER TRIM (FOR USE WITH ALL **VERTICAL ROD** TYPE EXIT DEVICES)



Bracket is packed with all VERTICAL ROD TYPE EXIT DEVICES inside each individual box.
IT IS NOT PROVIDED WITH EXIT DEVICE TRIM.