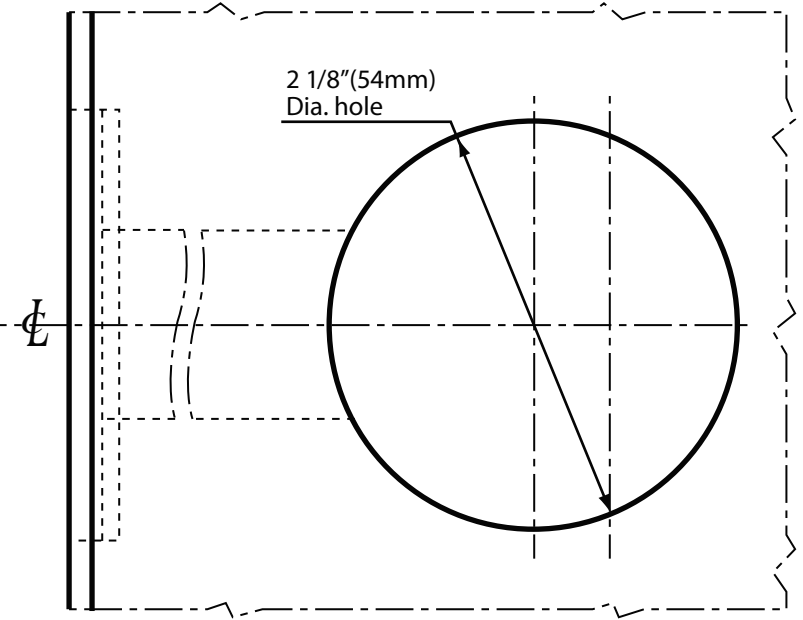
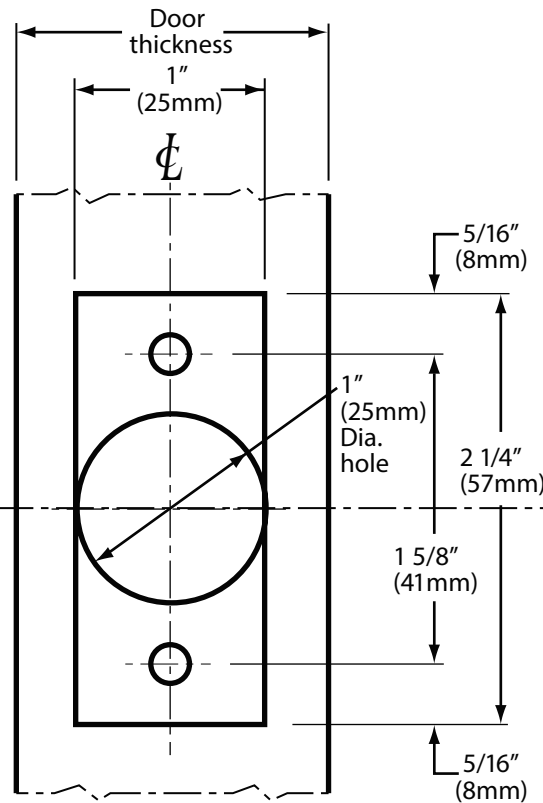
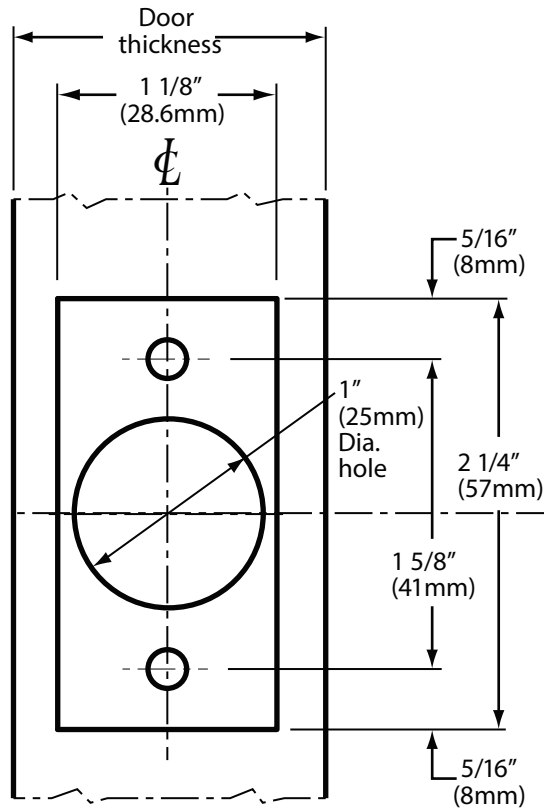
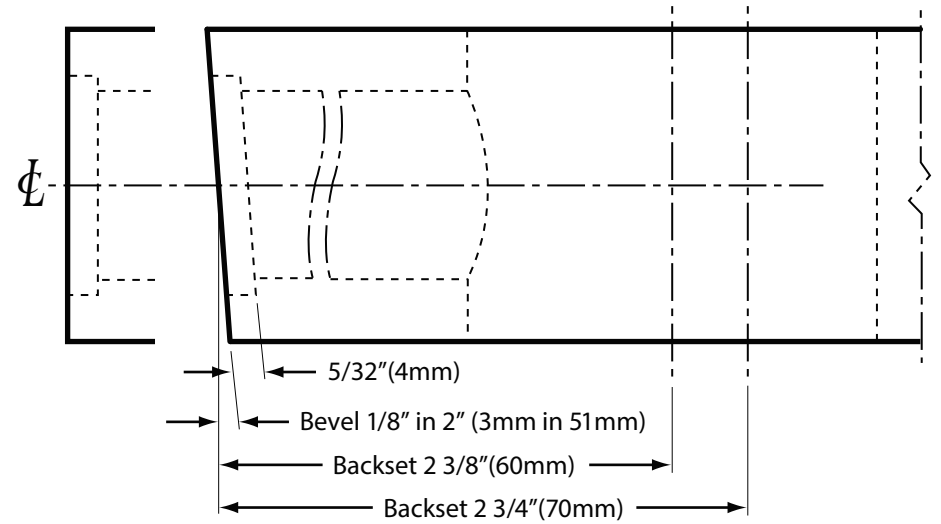
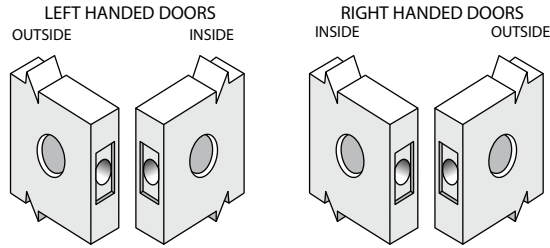


Standard Packaging:

1. Adjustable latch bolt
2-3/8" - 2-3/4".
2. Face plate 1" x 2-1/4".
3. Plastic filler for 1-1/8" latch prep.
4. ULT300 STRIKE DIMENSION
1-1/8" x 2-3/4".



The illustration and technical description in this cut sheet is current as of the date in version date on the right. Cal-Royal Product reserves the right to, and may, on occasions, make changes and/or improvements in designs and dimensions without prior notice.



6605 Flotilla Street
City of Commerce
CA 90040 USA
Tel: # (323) 888-6601
FAX: # (323) 888-6699
WEB SITE:
CAL-ROYAL.COM
Email: sales@cal-royal.com

ITEM NO.	DESCRIPTION :
ULT700	TEMPLATE OF A ONE WAY DEADBOLT WITH INTERNAL PLATE

1:1 SCALE
PAGE 1 OF 1

UNIT
PRIMARY DIMENSION SHOWN IN INCHES, DIMENSIONS IN () ARE MM

Prepared By:
BBT / ADG
AED / CVL

DATE
02/07/23

DWG. NO.
LST - 2024
Ver. 02