

## DOOR / WINDOW CASEMENT SECURITY LATCH LOCK DL402361

### Features

- Offers concealed security for all internal and external doors
- Permanently fixed to the door and used in conjunction with a door security bolt
- Suitable as a security measure for cupboards, windows and internal doors
- Non-handed
- Easy Installation

### Material

- Brass / Zinc components

### Bolt projection

- 1/2"

### Strike dimensions

- 7/8" x 1-3/4"

### Escutcheon dimension

- 7/8" x 1-11/16"

### Finishes

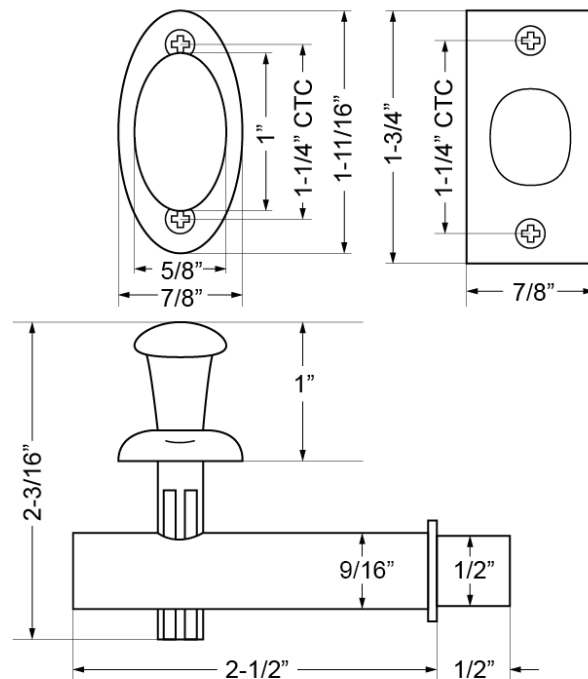
- US10B - Oil Rubbed Bronze
- US26 - Polished Chrome
- US15 - Satin Nickel
- US26D - Satin Chrome
- US3 - Bright Brass
- US5 - Antique Brass

### Screws

- # 4 x 1/2" W.S.



DL402361



### CAL-ROYAL PRODUCTS, INC.

6605 Flotilla St., City of Commerce, CA 90040 U.S.A.  
Phone: (323) 888-6601 • (800) 876-9258 • Fax: (323) 888-6699 • (800) 222-3316  
Email: sales@cal-royal.com • Website: www.cal-royal.com

The illustration and technical description in this cut sheet is current as of the date in the version date on the right. Cal-Royal Product reserves the right to, and may, on occasions, make changes and/or improvements in designs and dimensions without prior notice.

VERSION  
2015.1.0

© Cal-Royal Products, Inc. 2015