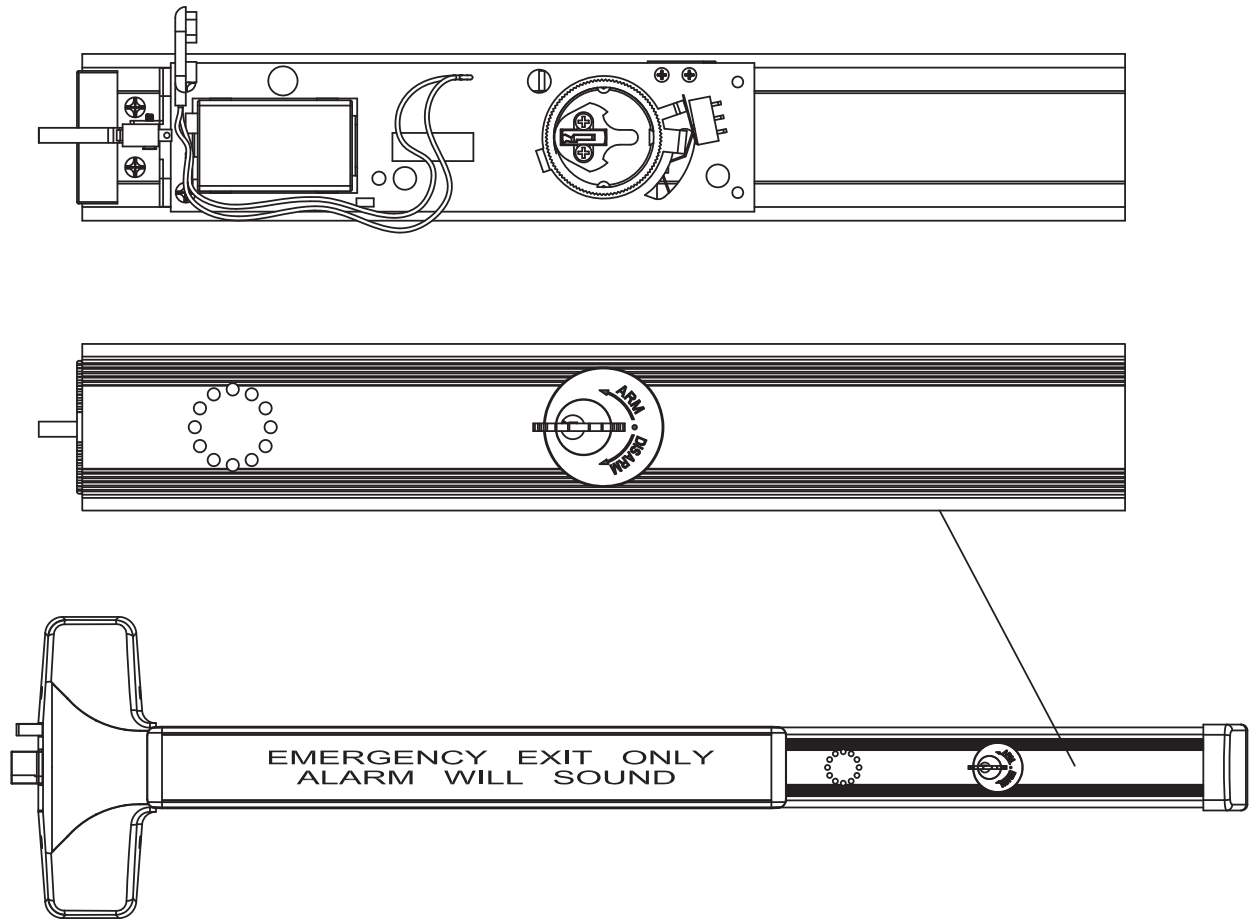


CAL-ROYAL Alarm Exit Hardware

7700 / F7700



Rim Type Exit Devices

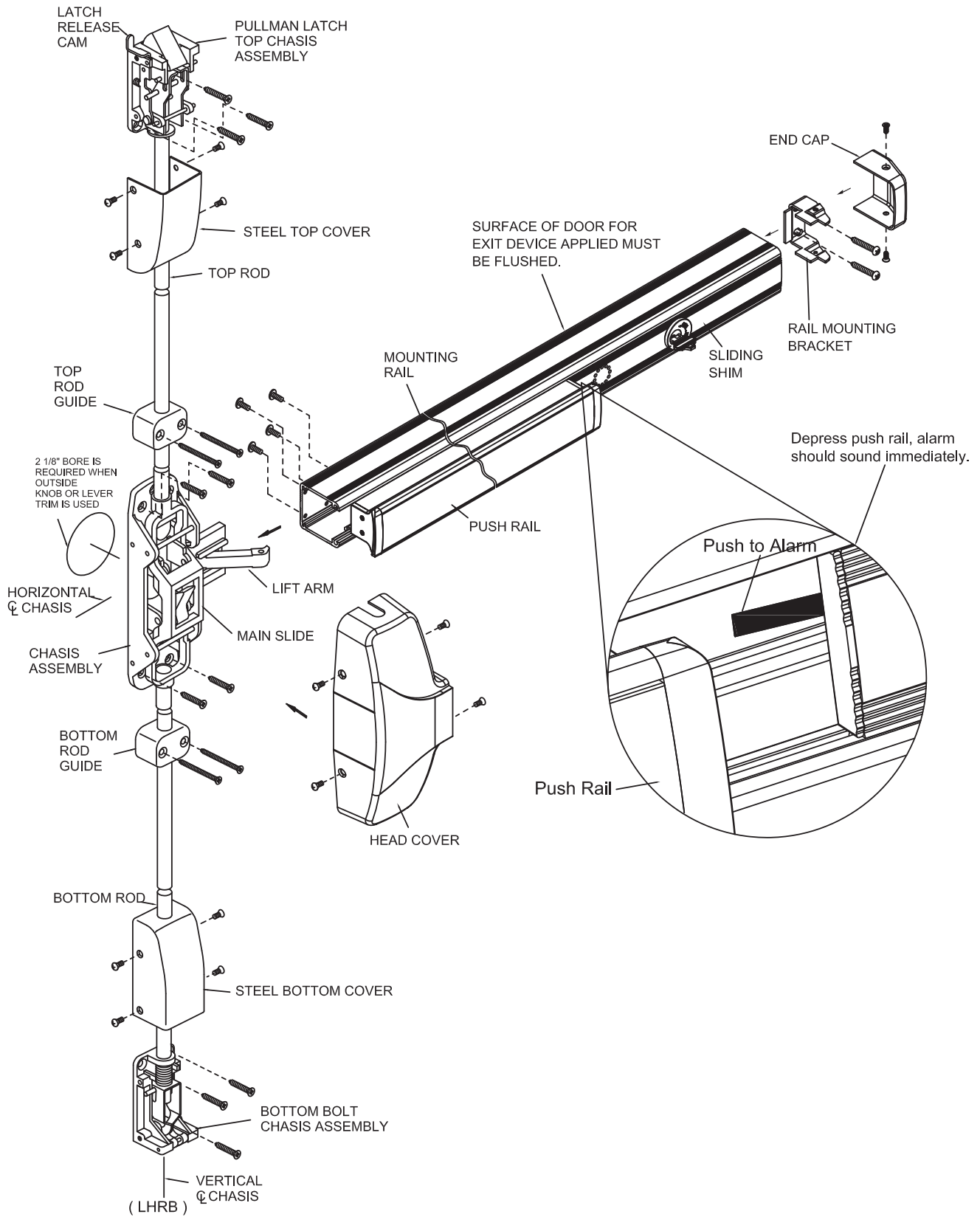
- 1.7700 - 36 Alarm rim type 36" door (panic grade).
- 2.7700 - 48 Alarm rim type 48" door (panic grade).
- 3.F7700 - 36 Alarm rim type 36" door (fire grade).
- 4.F7700 - 48 Alarm rim type 48" door (fire grade).

Features

- Alarm units has an internal horn. When the push rail is depressed, the horn sound to provide a means of signaling that the door has been opened and breached.
- The unit has changeable 2- minute alarm cut off or manual reset. Preset at factory for 2-minute alarm cut off.
- Jumper cable is provided to switch to continuous alarm.
- The key switch to turn the alarm off is a standard 1-1/4" cylinder with "C" keyway. The alarm operates on one standard 9 volt transistor battery. When battery is weak the horn will emit an intermittent signal.
- Alarm unit supplied with a switch to monitor push rail,latchbolt are secured by guardbolt design.
- Unit includes "EMERGENCY EXIT ONLY. ALARM WILL SOUND" decal for application on door or unit.

CAL-ROYAL Alarm Exit Hardware

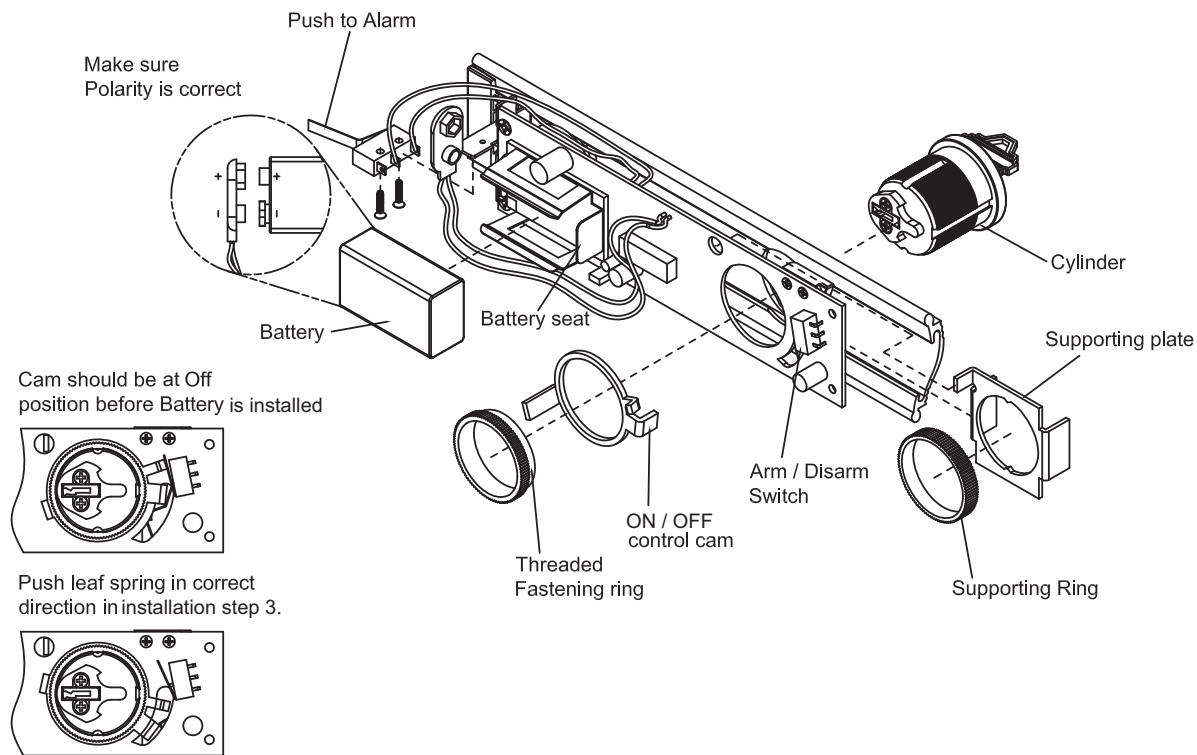
7700 / F7700



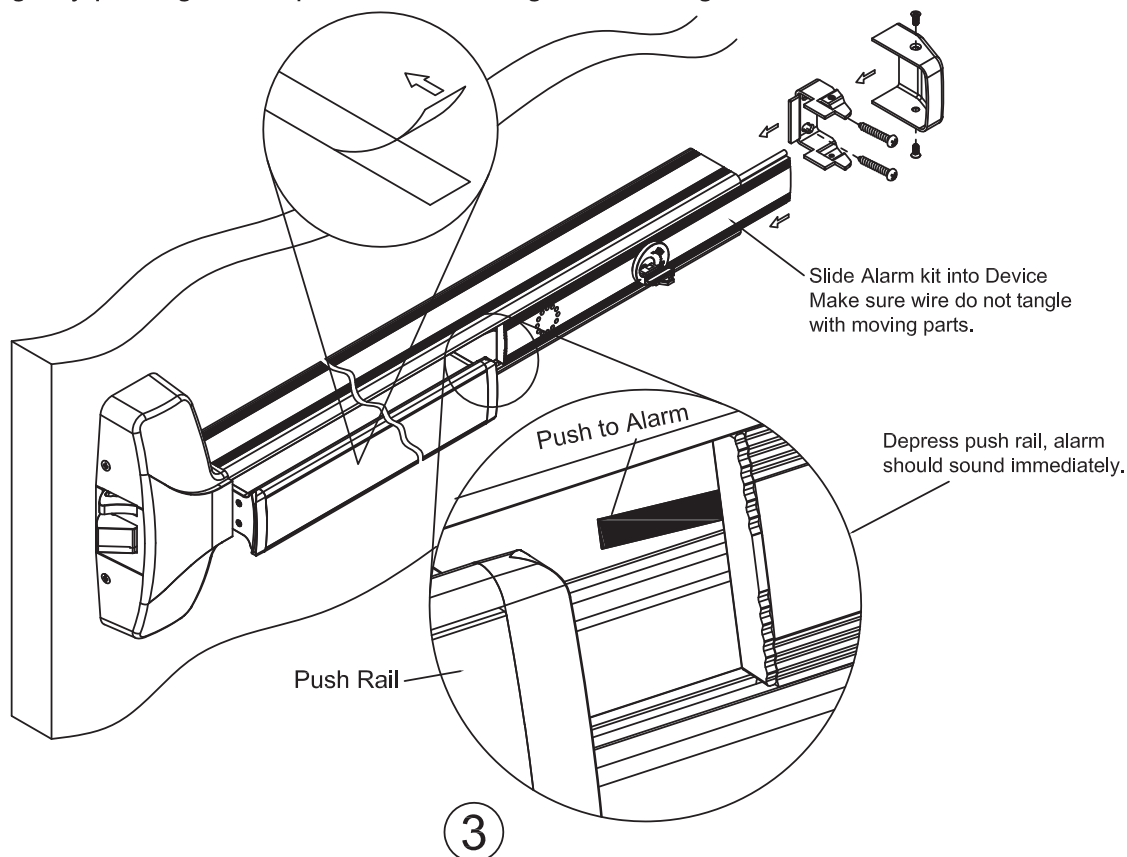
INSTALLATION INSTRUCTION FOR 7700 / F7700 & 7760V / F7760V SERIES ALARMING DEVICE



1. Assembly Alarming kit with parts as shown below:



2. Cut the Device and/or Sliding shim (end opposite cylinder hole) to proper length.
3. Install Device to door.
4. Then slide in the Alarm kit.
5. Mount the Exit Device end cover.
6. Mount sign by peeling off the protective backing and sticking onto Push Rail.

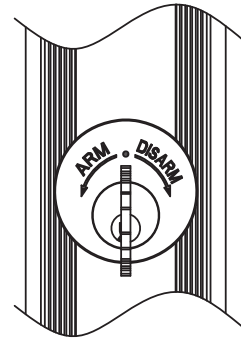


Operating Instruction

1. Insert key into Cyl and arm the unit by turning key Anti-clockwise to arm.
2. Depress push rail, alarm should sound immediately.
3. Turn key clockwise to Disarm.

Features

1. Alarm unit has an internal horn. When rail is pushed, alarm will sound.
2. The unit has changeable 2 minutes alarm cut off or manual reset.
Preset at factory for 2 minutes alarm cut off.
3. Jumper provided to switch to continuous alarm, then intermittently on 5 seconds/ 5seconds off.
4. Key switch to turn off the alarm. 1-1/4" cylinder with C keyway. Clockwise turn Disarm, silences or deactivates the alarm. And anti-clockwise turn Arms it.



5. Alarm operates with a standard 9-volt transistor battery.
6. When low battery, a brief signal is emitted intermittently.
7. Alarm unit supplied with a switch to monitor push rail, latchbolt are secured by guardbolt design.
8. Unit includes Red "Emergency Exit only Alarm will Sound" decal for application on door or unit.