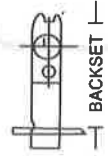


CAUTION!
Check backset required for lock before drilling 2-1/8" (54mm) hole.

BACKSET: is length from center edge of door to center of 2-1/8" (54mm) hole.

2-3/4" (70mm) BACKSET.
2-3/8" (60mm) BACKSET.



Recommended centerline is 36" (914mm) from floor

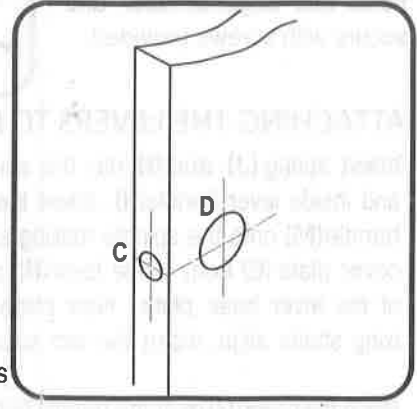


SUMMIT SERIES INSTALLATION INSTRUCTION

PRIVACY LEVERSET

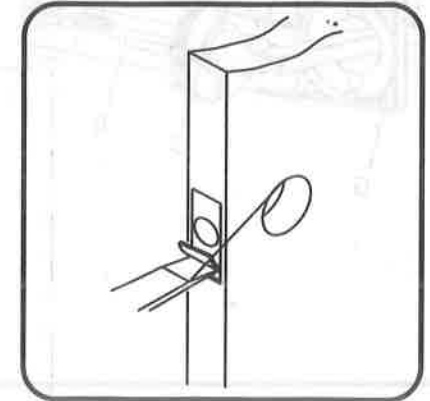
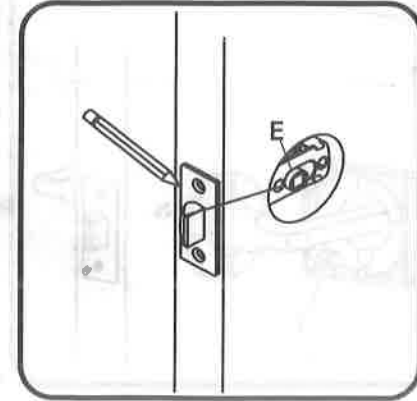
1 - DOOR PREPARATION

- Cut the template on line (A) and fold line (B) on the door edge.
- Position template at your preferred height and mark drill points of latch (C) and center of handle hole (D) choosing either a 2.40in or 2.75in backset (distance from edge of door to center of handle).
- Using .98in spade bit drill hole through (C) the door edge and with a holesaw drill a 2.13in hole through (D) the door face. For this hole it is best to drill from both side and meet in the middle. Accuracy is vital, so mark and measure carefully and drill holes level.



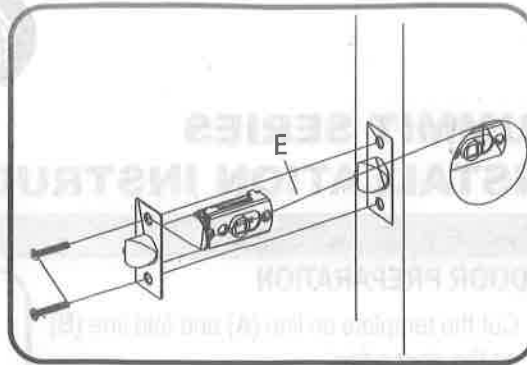
2 - INSTALLING THE LATCH (1ST STEP)

- Platch (E) into the .98in hole on edge of the door and using sharp pencil mark door around the rectangle plate.



3 - INSTALLING THE LATCH (2ND STEP)

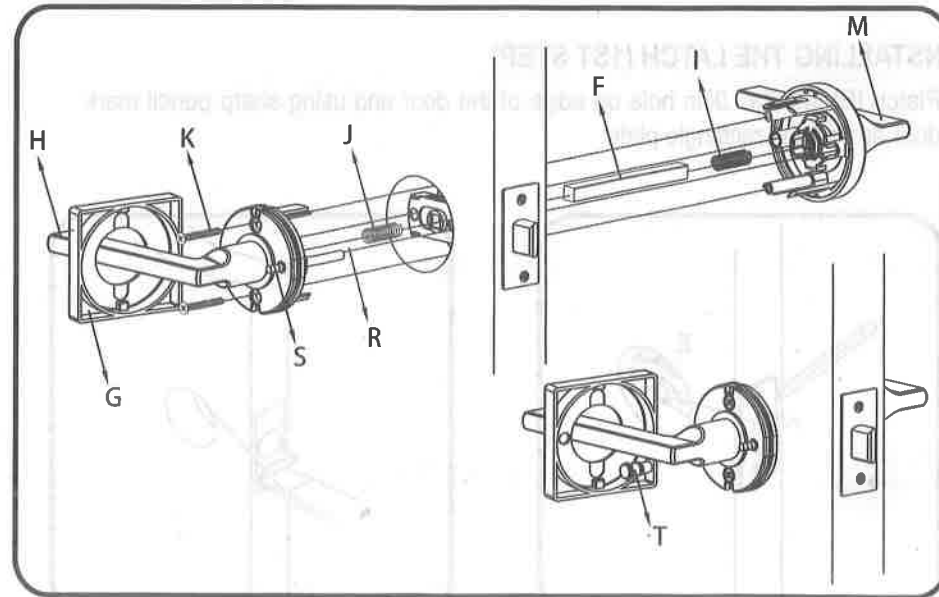
Using a hammer and chisel remove enough timber so that the latch fits into the newly created recess and finishes flush with door. Once completed push latch into place and drill .079in pilot holes into edge of door and secure with screws provided.



4 - ATTACHING THE LEVERS TO DOOR

Insert spring (J) and (I) into the spindle of holes of outside lever handle (M) and inside lever handle (H). Insert the spindle (F) into the latch. Now position handle (M) onto the spindle making sure it is on the outside of the door. Remove cover plate (G) from inside lever (H) and place rod (R) into hole (S) on the rear of the lever base plate. Now place this handle on the spindle. Ensuring the locking shafts align, insert the two screws (K) from the inside and tighten firmly.

Place the cover (G) over the handle and onto the base so that it finishes flush against the door with the hole fitting over the rod (R). Attach the small button (T) to the threaded rod.



5 - INSTALLING THE STRIKE

Mark on the door jamb the height and position of where the latch will be when the door is closed. Drill a .87in hole or chisel out enough wood to create a strike hole for the latch to engage and hold the door shut. Place the strike plate over the hole and mark around using a sharp pencil. Recess into place using a hammer and chisel. Secure with the screws provided.

