

⚠️ WARNING ⚠️

Do not remove spring tube from this product. Extremely strong springs inside. If repairs are necessary, return to factory.

1

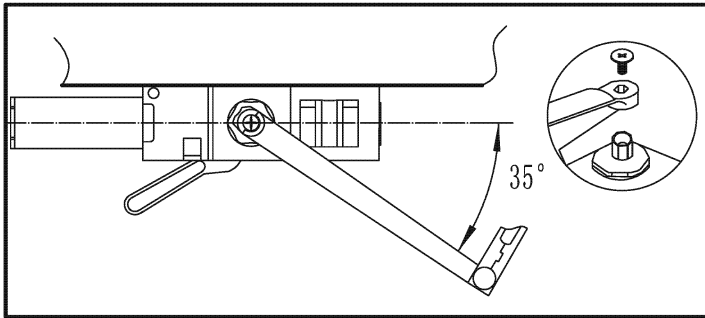
Mount closer body in pocket according to dimensions shown on template. Wall of pocket must be reinforced to ensure mounting of body.

2

Mount rod and shoe on door according to dimensions shoe on template.

3

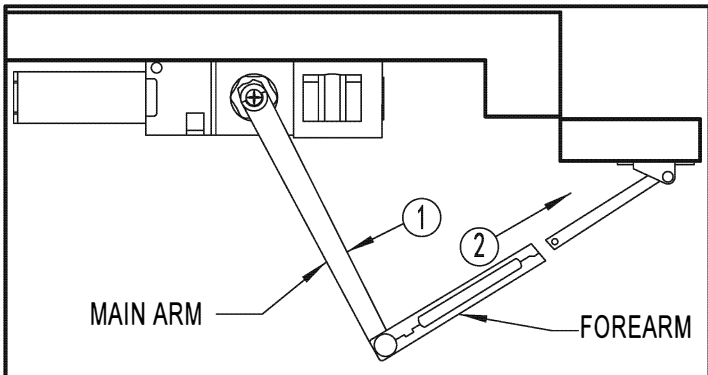
Place arm on closer shaft with main arm 35° to close body (see illustration). Do not rotate closer shaft. Secure arm to shaft with arm screw.



4

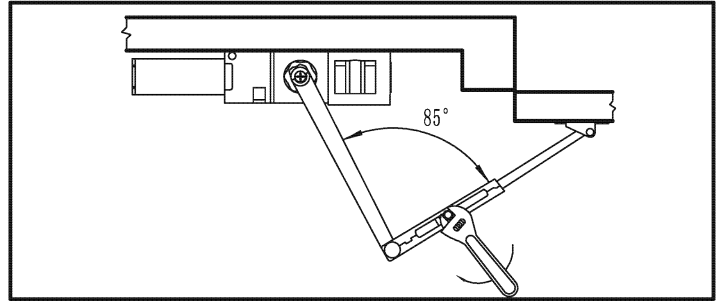
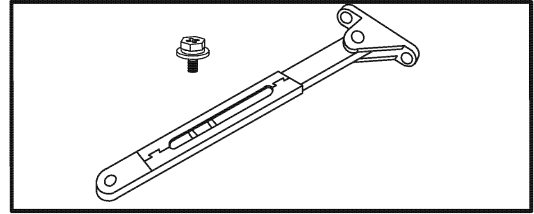
With door in closed position:

1. Pull close main arm away from door.
2. Slowly release arm and insert rod into forearm (see illustration).



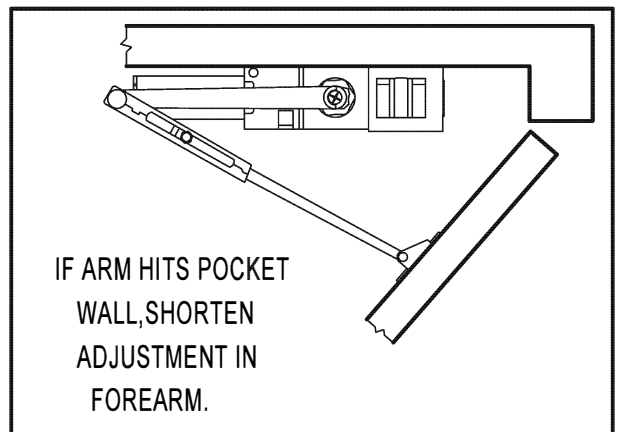
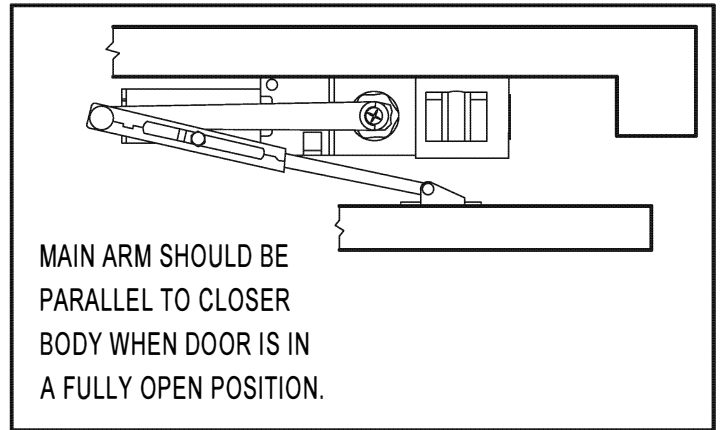
5

Adjust arm to from slightly less than a 90° angle with door in closed position. Secure with arm set screw. (see illustration)



6

Slowly open door into pocket. Do NOT FORCE if door will not open completely. If door will not open completely into pocket, adjust arm as shown in below illustrations.



7

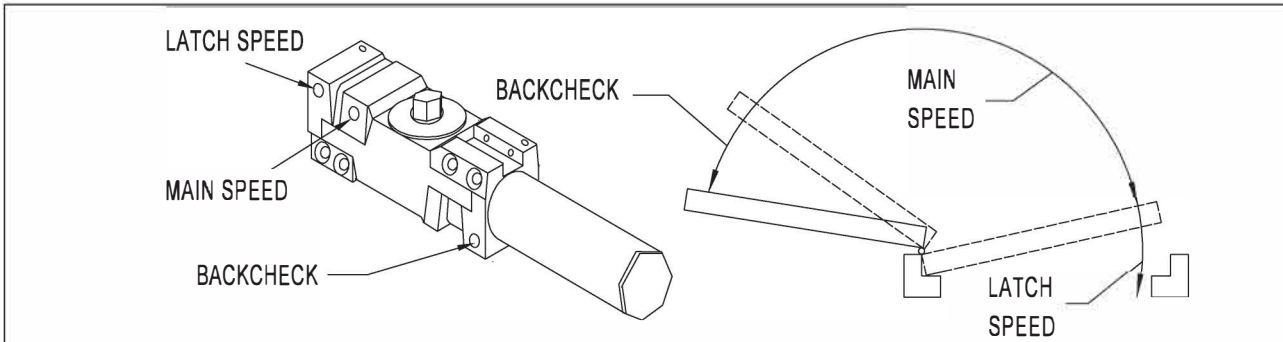
Closing speed adjustment



Improper installation or regulation may result in personal injury or property damage

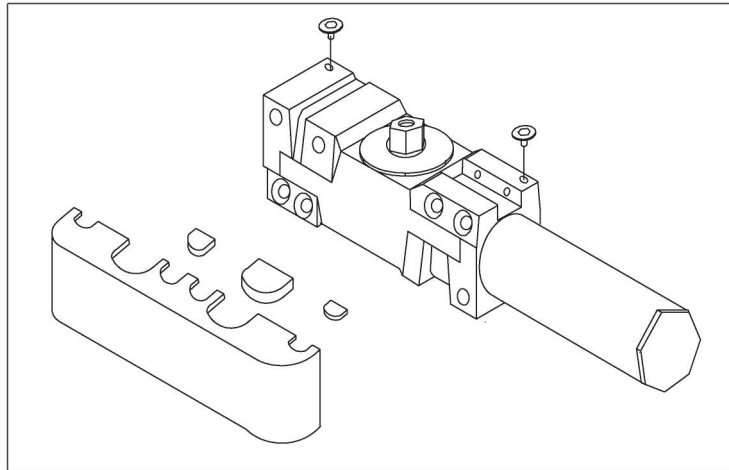
ⓘ Important

- Regulation: Do not allow door to slam into frame. A "normal" closing time from 90° open position in 5 to 7 seconds, evenly divided between main swing speed and latch swing speed. Use socket key furnished to adjust speed. To slow main speed of door, turn regulating screw nearest shaft clockwise. To slow latch speed, turn regulating screw nearest latch clockwise. Backcheck: To increase backcheck intensity turn regulating screw farther from hinge clockwise.
- **DO NOT USE ABRUPT BACKCHECK**

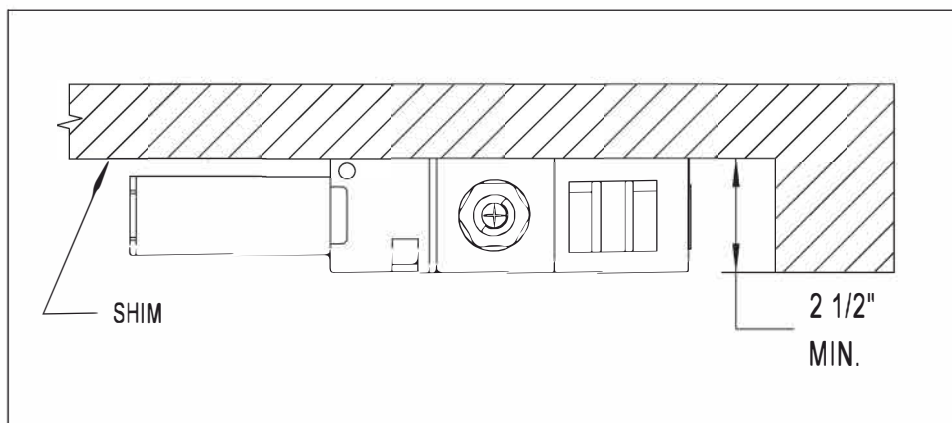


8

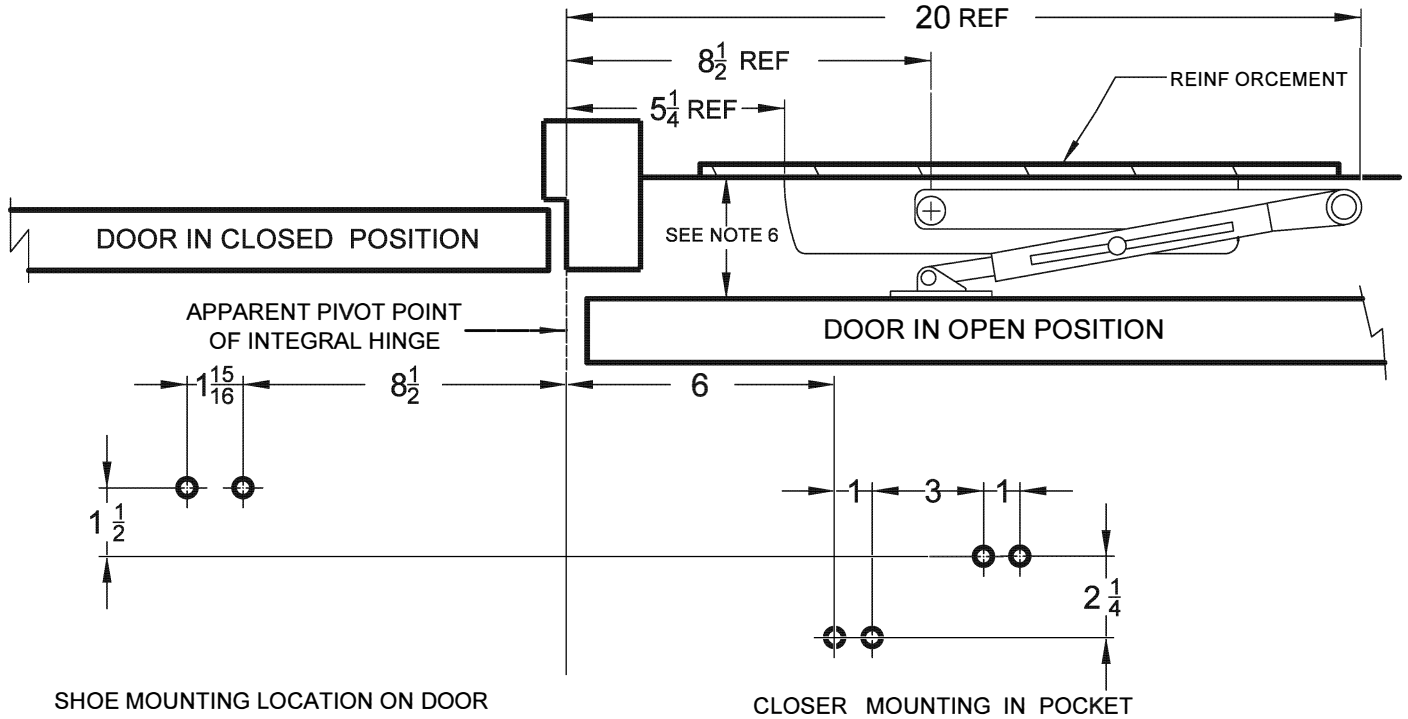
Mount cover on closer body and secure with two cover screws. Tighten screws firmly.



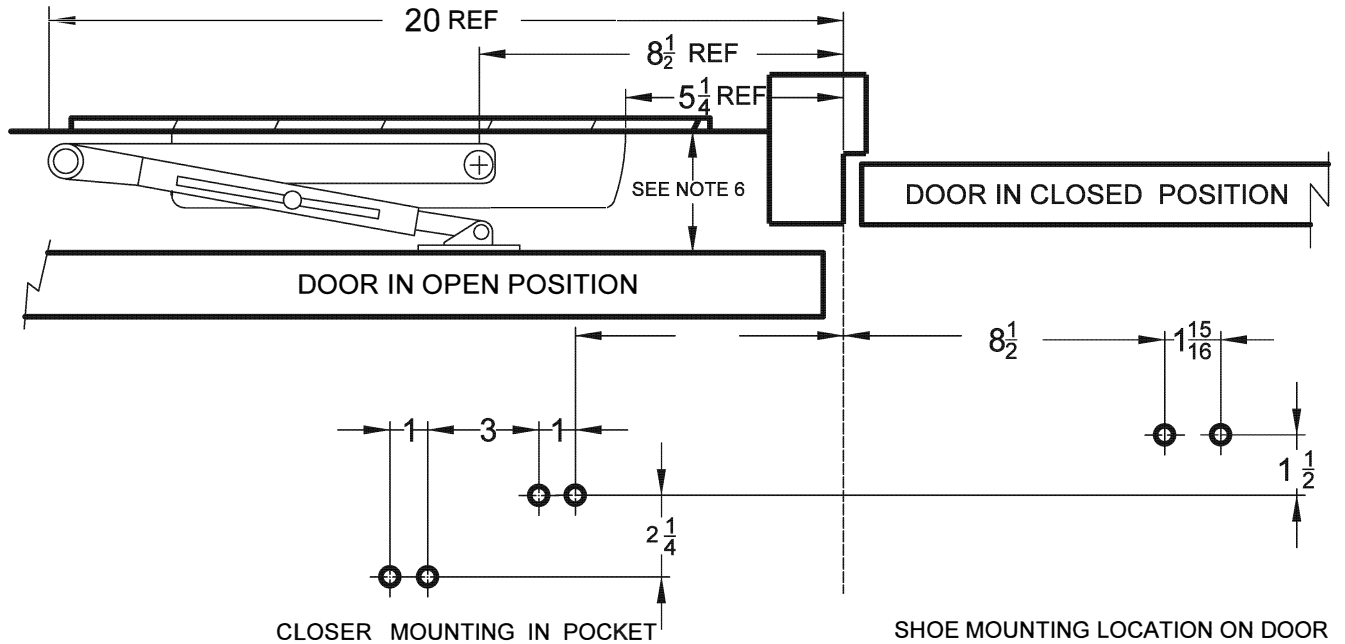
- 9 If closing power needs to be increased, shim closer out from wall to a minimum 2 1/2" pocket depth. This will provide an extra 1/2 pound of closing force at latch.



SPECIAL 180°POCKET CLOSER FOR INTEGRAL HINGE TYPE DOORS ONLY.
 SPECIAL CYLINDER AND REQUIRED. THIS APPLICATION CAN NOT BE USED WITH THE STD. CR441



SPECIAL 180°POCKET CLOSER FOR INTEGRAL HINGE TYPE DOORS ONLY.
 SPECIAL CYLINDER AND REQUIRED. THIS APPLICATION CAN NOT BE USED WITH THE STD. CR441



GENERAL NOTES-

- 1.FOR USE WITH INTEGRAL HINGE AND LATCHING DOOR ONLY. NOT FOR USE WITH CONVENTIONAL HINGES OR LATCHING MECHANISMS.
- 2.LOCATE CLOSER AND SHOE FROM APPARENT OF INTEGRAL HINGE.
- 3.REINFORCING PER ANSI/SDI-100 RECOMMENDED FOR HOLLOW METAL DOORS AND FRAMES.
- 4.CLOSER SIZE IS $12\frac{1}{4} \times 3\frac{1}{3} \times 2\frac{5}{32}$.
- 5.MOUNTING SCRWS ARE 1/4-20 M.S OR 14 W.S.
- 6.MAXIMUM POCKET DEPTH IS 4". MINIMUM IS 2 1/2.
- 7.THIS APPLICATION CAN NOT BE USED WITH A .
 STANDARD 4041 CLOSER ST-270 I REQUIRES
 A SPECIAL CYLINDER AND ARM.