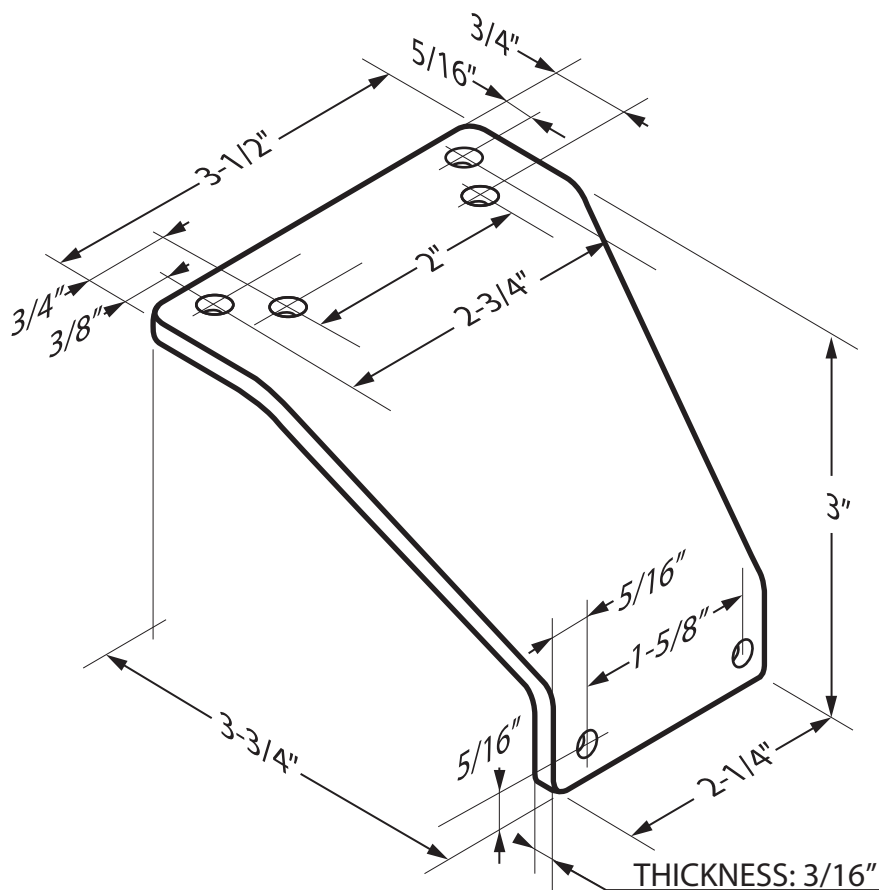


Minimum door rail for mounting closer 7-3/8" (5/8" stop shown)
 Minimum door rail to bottom of cover 7-3/4" (5/8" stop shown)
 Backcheck positioning valve in "ON" position



ITEM NO.:	DESCRIPTION:	SCALE:
904	PARALLEL ARM DROP BRACKET	NOT TO SCALE
ANSI:	UNIT:	VERSION:
	inches	ver. 1.0 rev. 03/13
		BY:
		bteves/adg