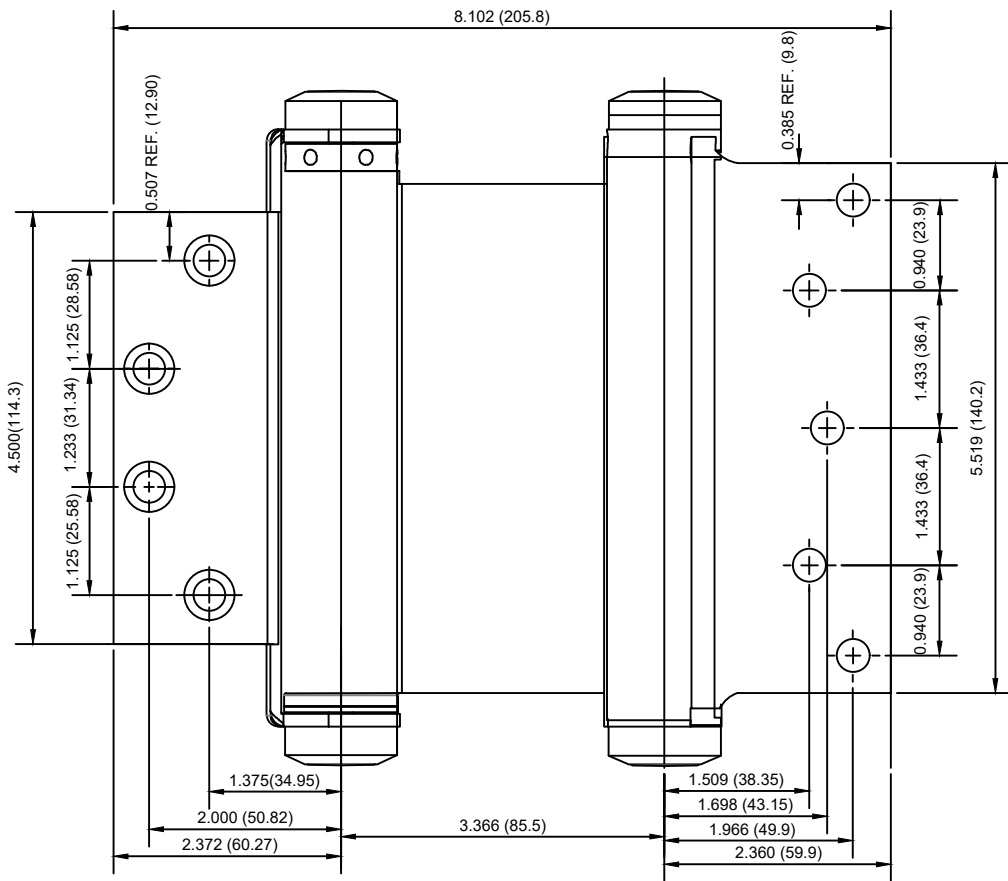
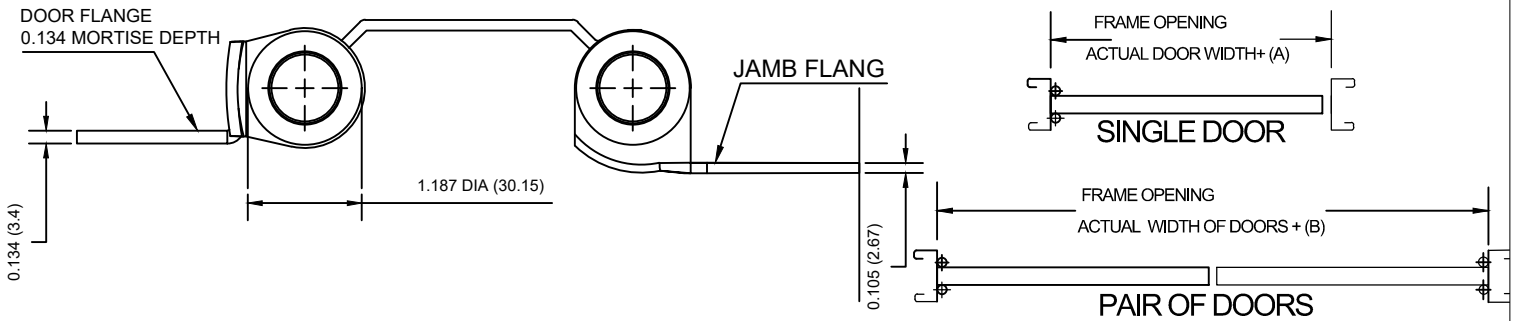
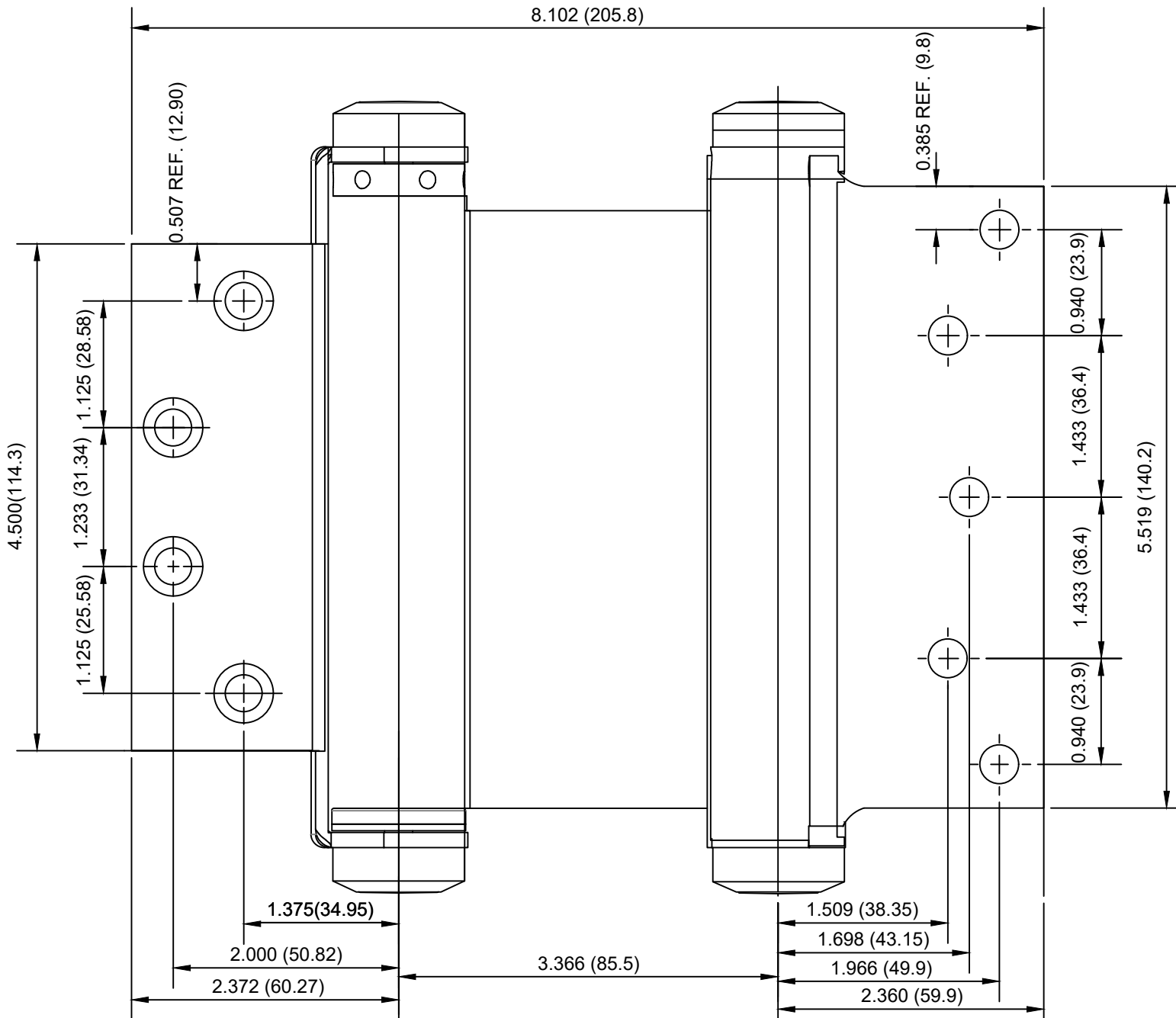


FRAME SIZING INFORMATION		
HINGE MOUNTING	(A)	(B)
DOOR FLANGE NOT MORTISED	-	-
DOOR FLANGE MORTISED	7/16"	13/16"

--- NOTES ---

- DO NOT USE ON DOORS WITH HINGE EDGE BEVELED.
- INVERT HINGES ON ONE DOOR OF PAIR FOR PROPER CENTERING.
- DIMENSIONS IN PARENTHESES ARE MILLIMETERS
- MACHINE SCREW 12-24 X 1/2"





NOTE: SCREW SIZE: 1/4" X #12

The illustration and technical description in this cut sheet is current as of the date in version date on the right. Cal-Royal Product reserves the right to, and may, on occasions, make changes and/or improvements in designs and dimensions without prior notice.



6605 Flotilla Street
 City of Commerce
 CA 90040 USA
 Tel:# (323) 888-6601
 FAX # (323) 888-6699
 WEB SITE:
 CAL-ROYAL.COM
 Email: sales@cal-royal.com

ITEM NO.	DESCRIPTION :
DAB645	TEMPLATE FOR DOUBLE ACTING SPRING HINGES

NOT TO SCALE
 PAGE 2 OF 2

UNIT
 PRIMARY DIMENSION SHOWN IN INCHES, DIMENSIONS IN () ARE MM

Prepared By:
 BBT / ADG
 AED / CVL

DATE
 07/24/2023

DWG. NO.
 HGT-3018-07/23- 2of2
 REV