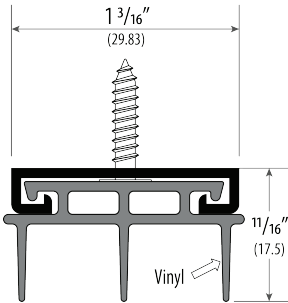




Weather Seal Door Accessories

DS-414 Door Shoes

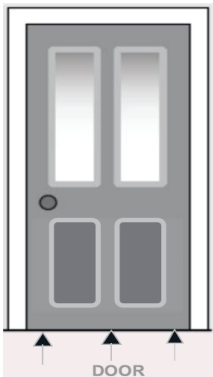
DS-414 Door Shoes



ITEM/FINISH:

DS-414

LENGTH: 36" & 48"
VINYL SEAL INSERT
MILL FINISH ALUMINUM
& DURO FINISH

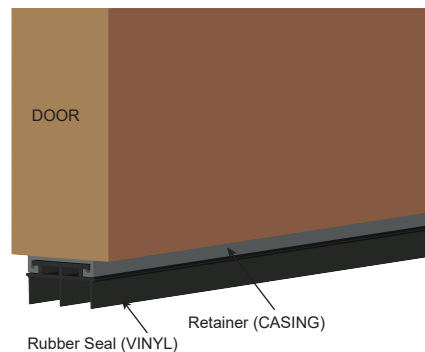
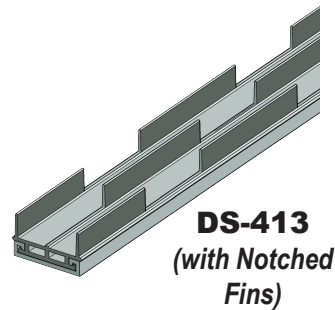
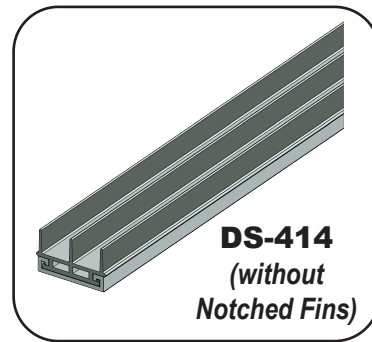


Packaging includes:

- Screws for
Wood doors - # 6 x 5/8"
- Metal doors - # 6 x 5/8"

Installation Guidelines:

1. Remove the door if necessary to prepare the bottom of the door prior to installation of door shoe.
2. Measure, mark, and trim door shoe exact to the full width of the door. Trim seal 1/16" longer than trimmed door shoe on each end. Crimp ends to secure insert.
3. Drill pilot holes in header stop for the screw at marks.
4. Slide door shoe in place and insert screws.
Adjust to ensure light even contact with threshold.
Fasten the screws.



Tools Required:

- Power tool drill
- Marker
- Measuring tape
- Screw driver
- Cutting tools
(Miter saw, circular saw, hacksaw, and plier)

Important Reminder: Always use appropriate Personal Protective Equipment (PPE) during installation.