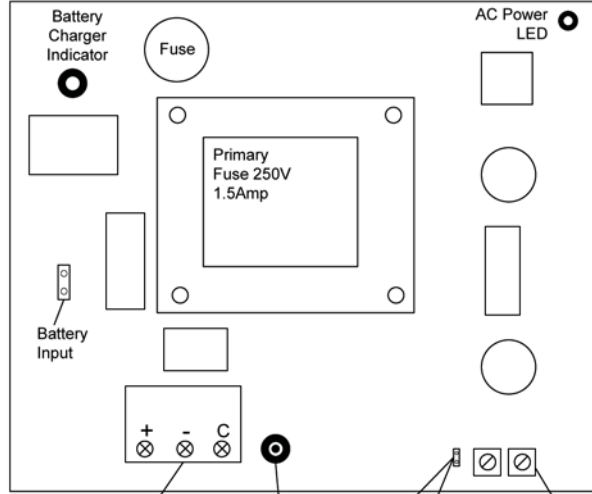




CAL-ROYAL PRODUCTS, INC.
 6605 Flotilla St., Commerce, CA 90040
 Tel. (323) 888-6601

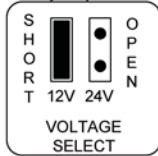
**REGULATED POWER SUPPLY
 INSTALLATION INSTRUCTIONS**
MODEL CR631RF

COMPONENT LOCATIONS

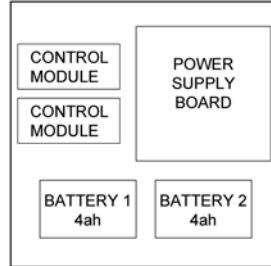


See figures b & c for examples of Master System On/Off Control OR Power Supply control from the Fire Control Panel

FIGURE A



Note: Power must be turned off before changing voltage jumper



STANDARD BOX

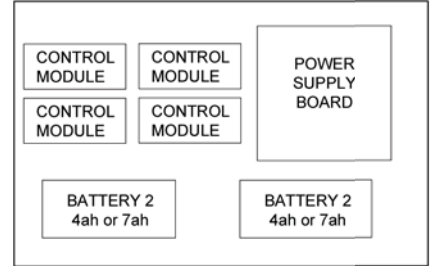
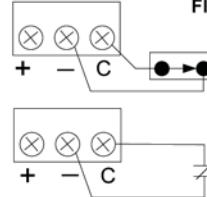


FIGURE B

"A" OPTION BOX

**MAIN SYSTEM ON-OFF
 OR
 FIRE PANEL CONNECTION**



Master ON/OFF Switch (N/C)

Fire Panel Contact (N/C)

Min. Switch OR Contact Ratings 100mA @ 30vdc

Figure C

POWER SUPPLY SPECIFICATIONS

Input Voltage: 115/230 VAC @ 60hz
 Input Current: 0.8 amps Max.

Output Voltage: 12/24VDC (Special Applications)
 Output Current: 1.5 amps
 Ripple Voltage: 0.05 Volts Max

Battery Charger Max Current: 0.25 amps
 Maximum recommended battery size: 7ah
 (Replace batteries every three years)

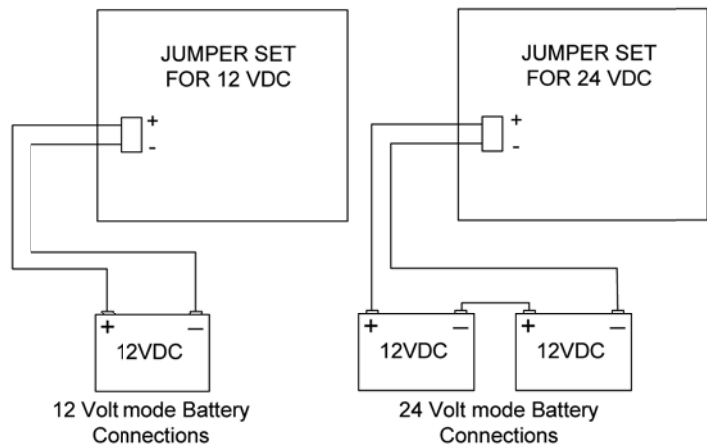
To determine standby battery capacity, refer to Batter Discharge table (INST-BDT).

Compatible UL listed Fire Devices:
 Smoke detector manufactured by ESL, Model 521B, 521BXT with Model 506 module.

Suitable Uses:
 Electric Lock Power Supply
 Access Control Power Supply
 Burglar Alarm System Power Supply

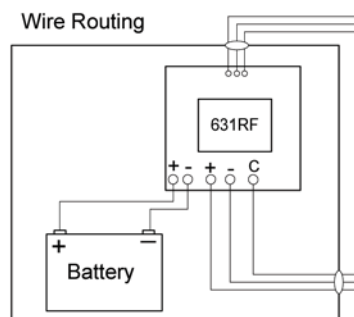
NOT INTENDED TO POWER A LOCAL BURGLAR ALARM INDICATING DEVICE.

TEST UNIT YEARLY



12 Volt mode Battery Connections

24 Volt mode Battery Connections



High voltage Input

NOTE: Power limited cable must maintain a 1/4" or more spacing from battery cables or primary power wires.

Power limited Class 2 output