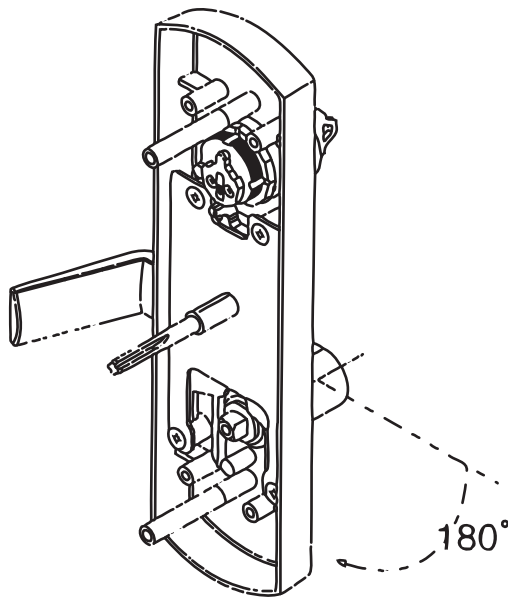


NESC Lever Trim for 9900/9900V Series

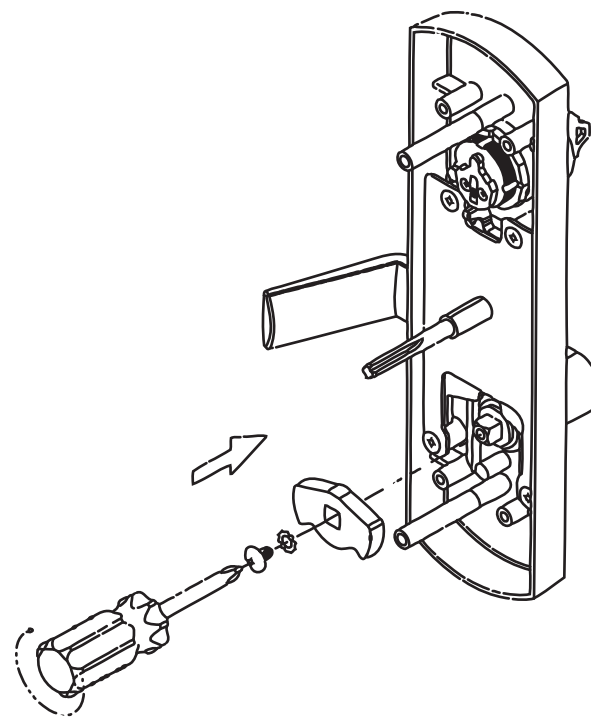


Instructions for reversing hand of lever, RHR

1. Rotate lever to RHR positioned at 180 degrees



2. Place and fasten cam piece with locked type washer and screw



3. Done

