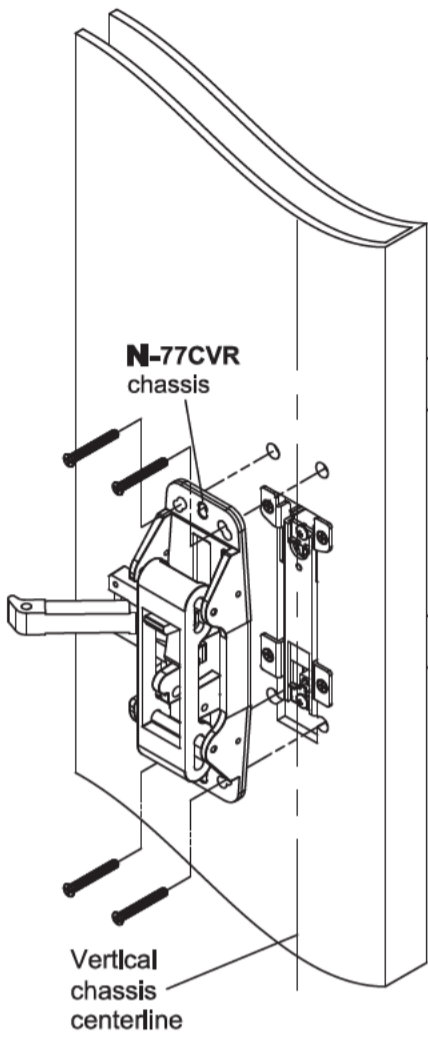




INSTRUCTIONS FOR N-CVRESC TRIM FOR N-98CVR / N-77CVR SERIES EXIT DEVICE

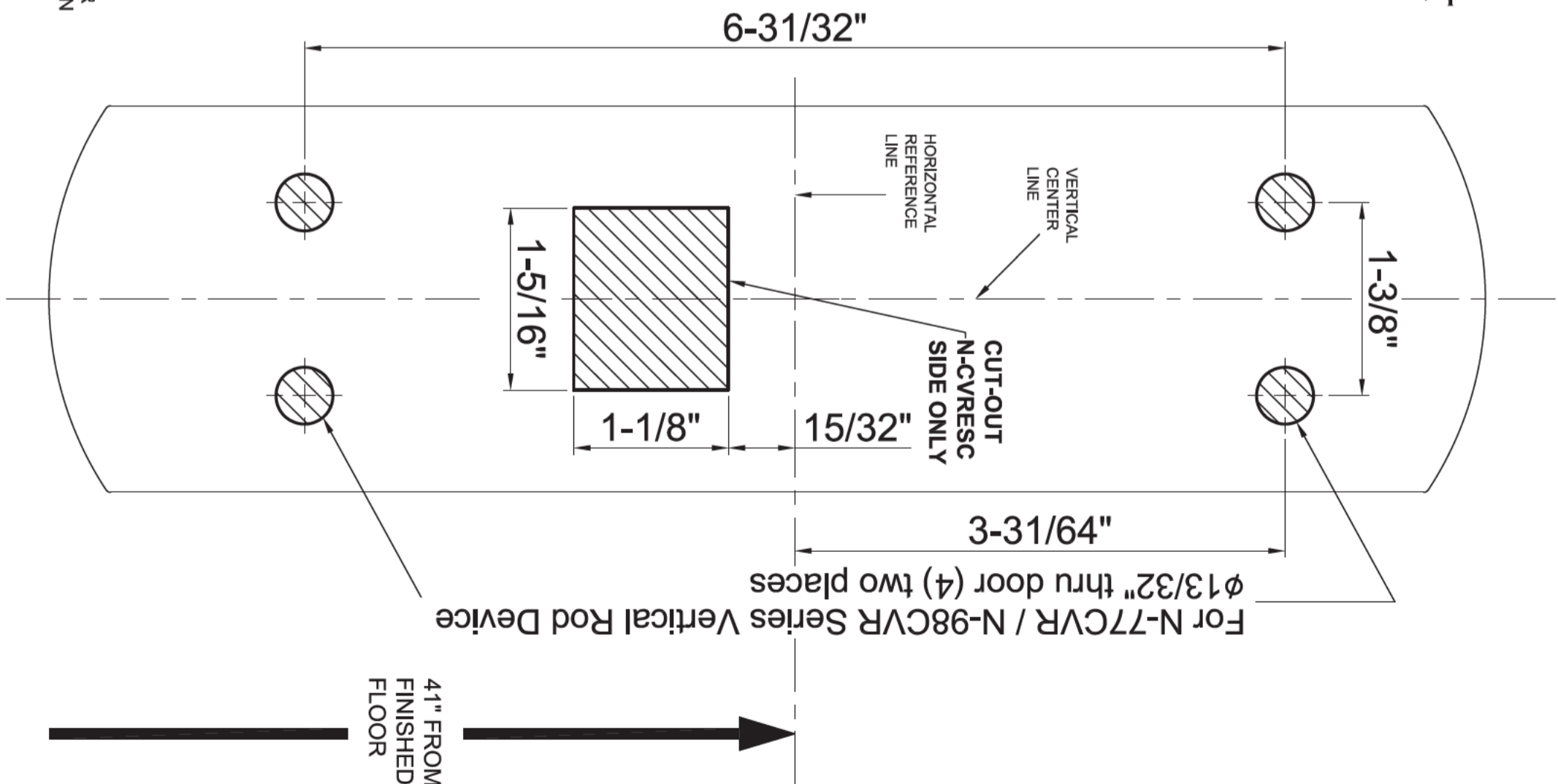


N-CVRESC-00	N-CVRESC-30	N-CVRESC-40	N-CVRESC-05
<p>Lockable Nesc Lever Trim Key locks & Unlocks Lever</p>	<p>No Cylinder Trim Always Operable</p>	<p>Dummy Nesc Lever Trim</p>	<p>Key unlock Nesc Lever, Key remained on Cylinder unless Locked. Cylinder Nesc Lever Trim</p>
13 function Entrance	15 function Passage	10 function Dummy	04 function Storeroom
Attach the collar and mortise cylinder to the nesc case with mortise nut, attach case to door thru bolting (4) screws to the chassis, aligning spindle to hub.	Attach nesc case to door thru bolting the (4) screws to the chassis, aligning spindle to hub of the chassis.	Attach the dummy cylinder to the nesc case with mortise nut, attach case to door thru bolting (4) screws to the chassis,	Attach the mortise cylinder to the nesc case with mortise nut, attach case to door thru bolting (4) screws to the chassis, aligning spindle to hub.

DRWG. #EDG4014 , 1 of 2 11/21/2022

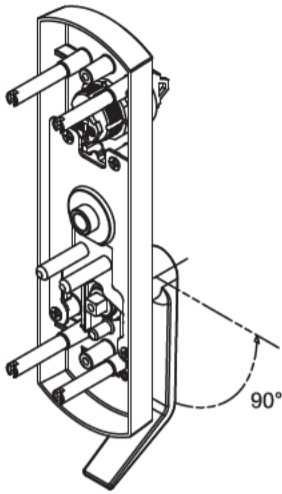
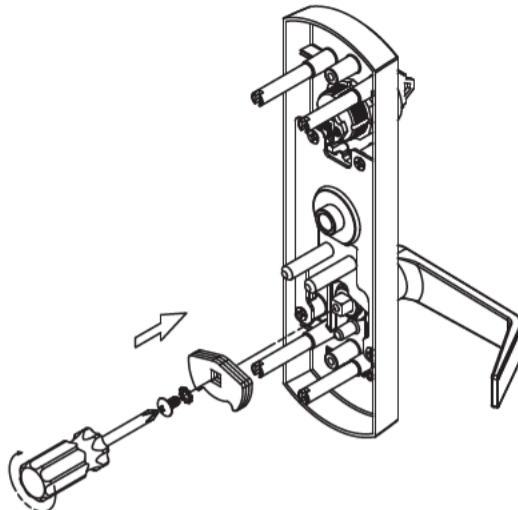
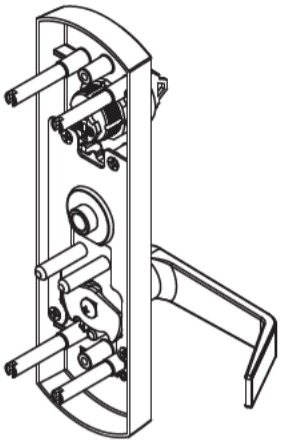
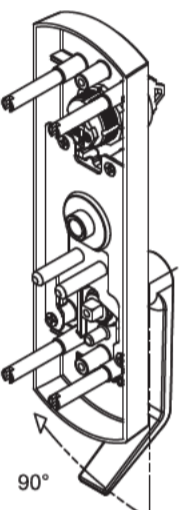
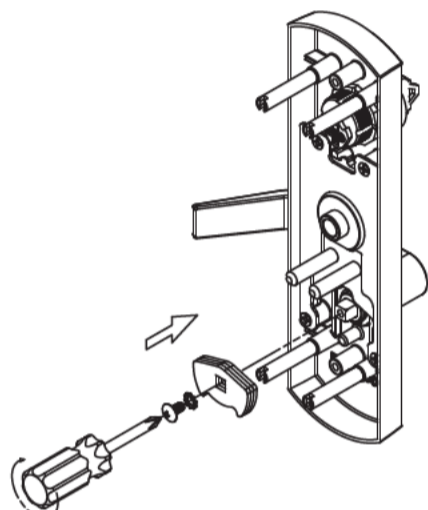
REFER TO INSIDE TRIM TEMPLATE FOR MOUNTING LOCATION OUTSIDE OF DOOR

TEMPLATE for N-CVRESC Esc Lever Trim for N-77CVR / N-98CVR Series Vertical Rod Device



N-CVRESC Lever Trim For N-77CVR / N-98CVR Series

Method of Changing Hand of Lever LHR(Reverse Step for RHR)

<p>1. Rotate lever to LHR positioned at 90°</p> 	<p>2. Place and fasten cam piece with locked type washer and screw</p> 	<p>3. Done</p> 
 <p>1. Rotate lever to RHR positioned at 90°</p>	<p>2. Place and fasten cam piece with locked type washer and screw</p> 	<p>3. Done</p> 