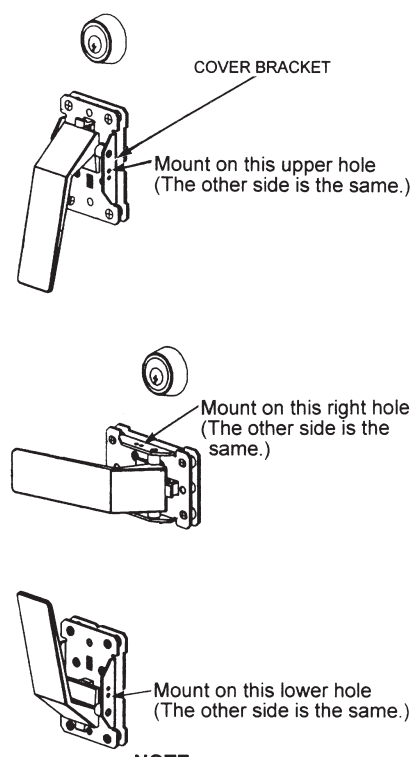




PUSH – PULL TRIM WITH MORTISE LOCK INSTALLATION INSTRUCTIONS

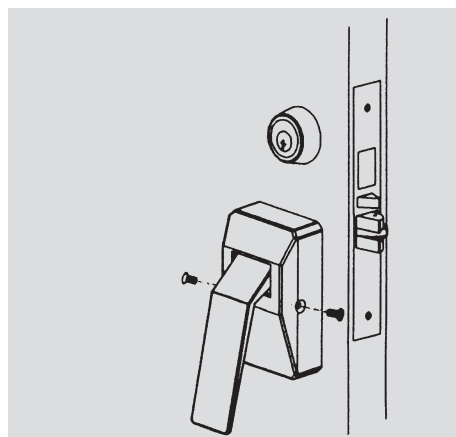
I. Install Cover For Pull Side Handle

1. Place cover onto Pull Side Handle, align the cover mounting holes with the upper mounting holes on cover bracket of Pull Side Handle, then secure cover using two (2) flat head screws.
2. The cover direction varies with mounting hand of the handle, see the figures shown at right.

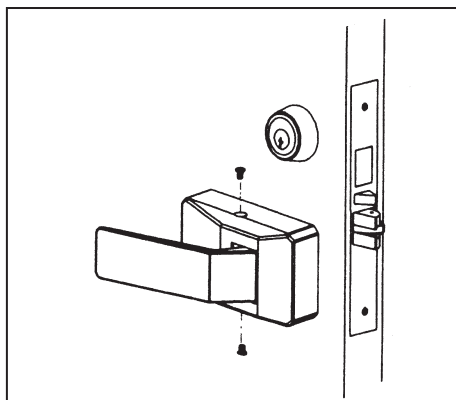


NOTE:
The upper mounting holes are viewed as lower mounting holes when the handle is reversed.

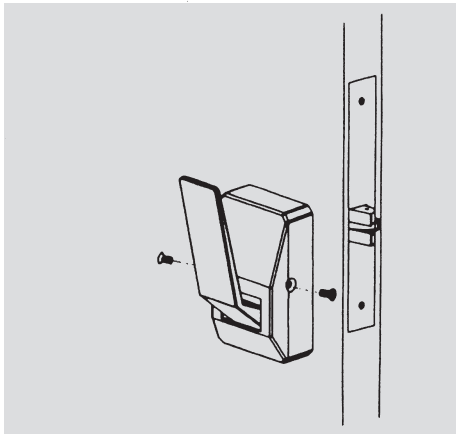
A. DOWN MOUNTING HAND



B. HORIZONTAL MOUNTING HAND

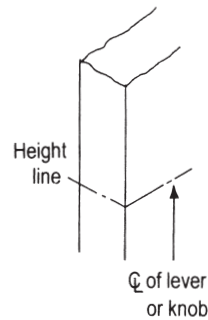


C. UP MOUNTING HAND

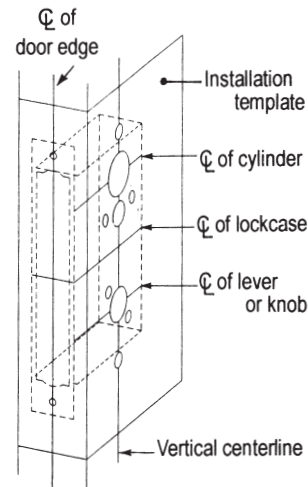


A. Door Preparation

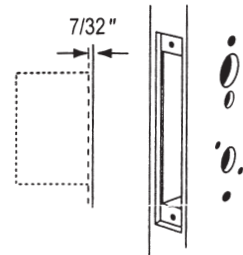
1. Measure desired height from finished floor, mark a horizontal line on door and door edge.



2. Align template on edge of door with applicable horizontal at height line. Check the chart of drilling trim holes on template and mark only holes for lock function being installed.

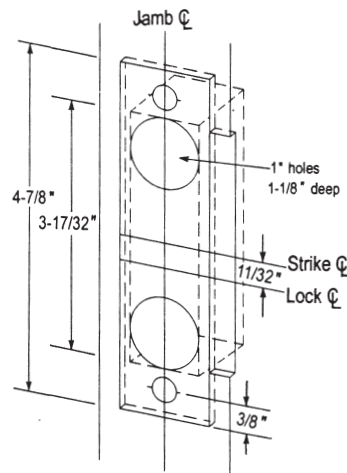


3. Mortise door edge according to measurements of installation template and drill proper holes for trims.
4. Recess for face plate, the dimension is L 8-1/32" x W 1-5/16" x D 7/32"



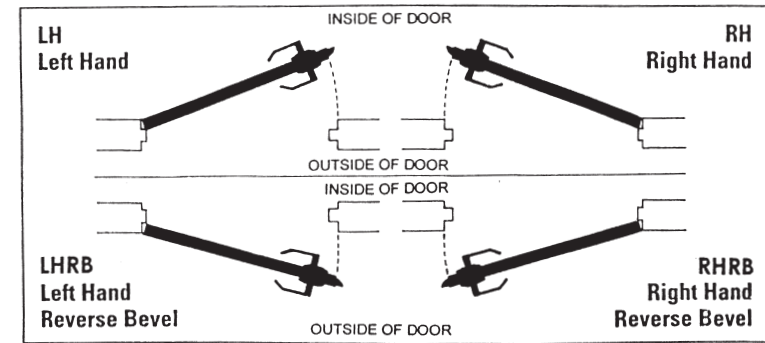
B. Strike installation

1. Align strike template on jamb. Be sure to keep 11/32" distance between lock centerline and strike centerline. Bore 1" diameter holes into door edge, 1-1/8" deep. Recess 5/32" for flush fit of strike and dust box.
2. Mortise jamb according to measurement of strike template. Then fit strike and dust box into frame and secure into place with supplied screws.



C. Install Lock Case

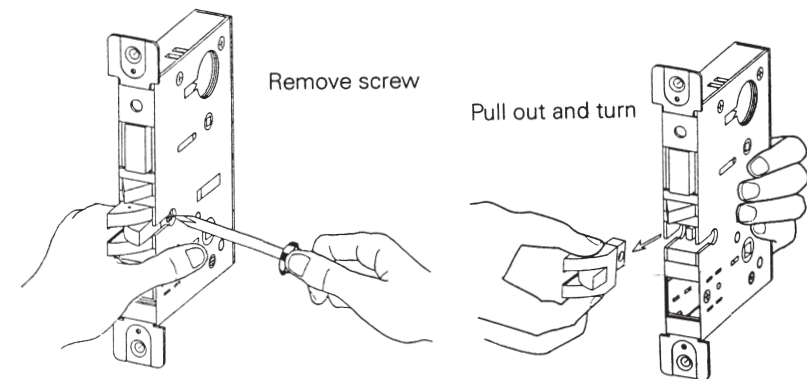
- A) Make sure lock hand to match door hand, use the following diagram to determine the hand of door.



- B) Instructions for changing lock hand:

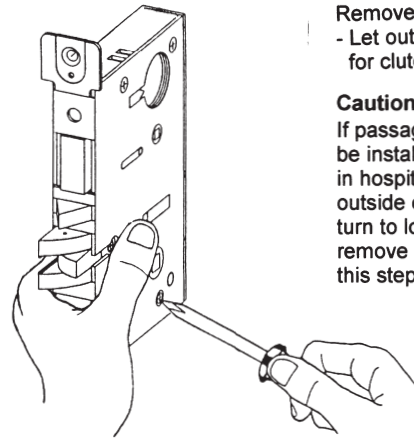
1. CHANGE LATCHBOLT HANDING

If the hand of latchbolt does not match door hand, remove fixing screw and pull latchbolt out from lock case, then turn complete unit having the bevel of latchbolt to reverse door handing. Position latchbolt back and fasten it.



2. SET OUTSIDE HAND OF LOCK CASE
(Skip to next step for passage function)

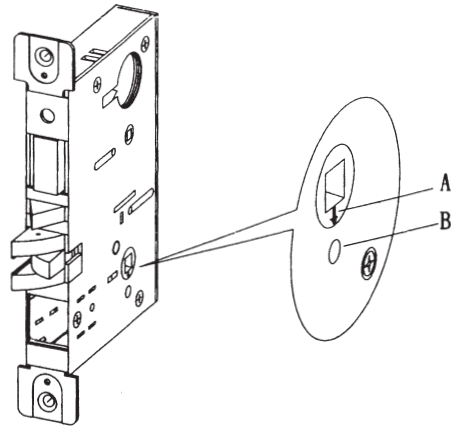
There are two catch screws of lock hand on both sides of chassis. Take catch screw out from one side of chassis which is going to face outside of door. The another catch screw must always be on *inside* of chassis. For RH and RHRB, the catch screw will be on the lock case side. For LH and LHRB, the catch screw will be on the lock case cover side.



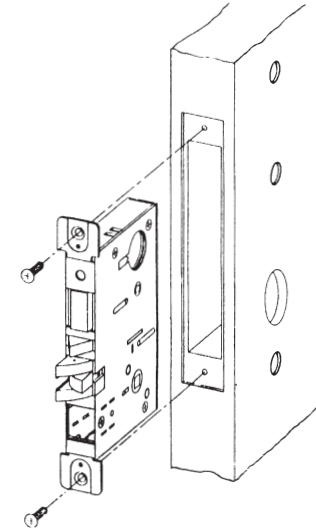
Remove a catch screw
 - Let outside handle change
 for clutch freewheeling.

Caution:
 If passage latch mortise lock
 be installed at any patient room
 in hospital, since it has neither
 outside cylinder nor inside thumb
 turn to lock the door, no need to
 remove the catch screw. To skip
 this step.

C) Check the hub of lock case if it is seated in the position as same as the arrow mark " A " which is pointed vertically to " B " hole direction. If yes, then proceed next step.



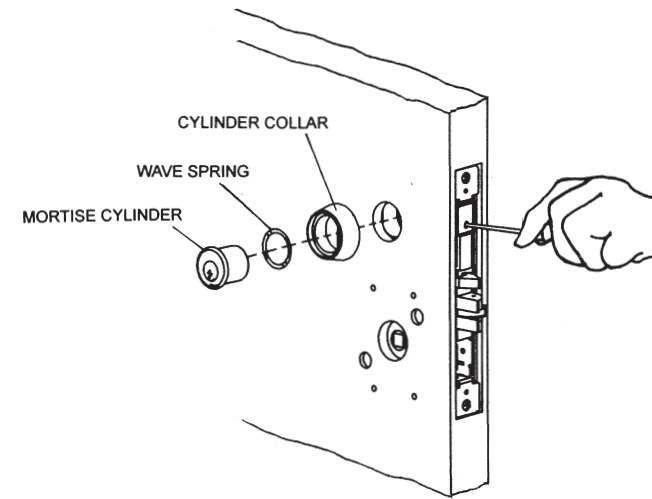
D) Insert lock case into mortise cut – out and fasten screws to door.



D. Install Mortise Cylinder

(Skip to next step for passage & privacy functions)

1. Remove key from mortise cylinder.
2. Slide wave spring and cylinder collar onto mortise cylinder body.
3. Screw mortise cylinder into threaded hole of lock case from outside face of door.
4. Fasten captured cylinder set screw by Phillips tip screwdriver.



E. Install Pull Side Handle

A) This Pull Side Handle can be mounted up, down, horizontally, see the Fig. A - Down mounting hand
 Fig. B - Horizontal mounting hand
 Fig. C - Up mounting hand
 But it is not available for the handle mounted up when the pull side of door has installed a mortise cylinder.

B) Installation Steps

1. Remove cover from Pull Side Handle.

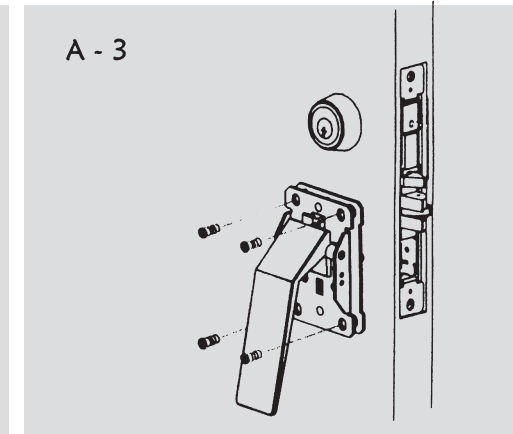
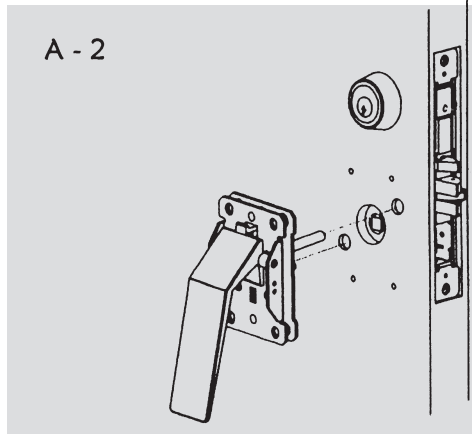
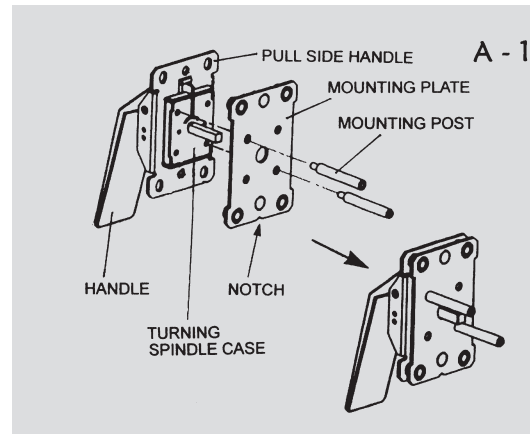
Place "Turning Spindle Case" into four ferrules of Pull Side Handle as figure shown, and put mounting plate onto Pull Side Handle. Then screw the two mounting posts into threaded holes of the Turning Spindle Case through the mounting plate.

Note:

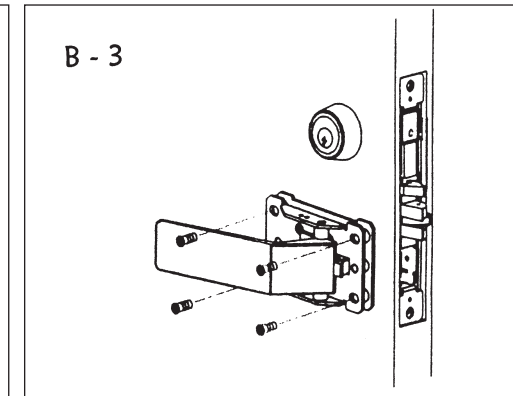
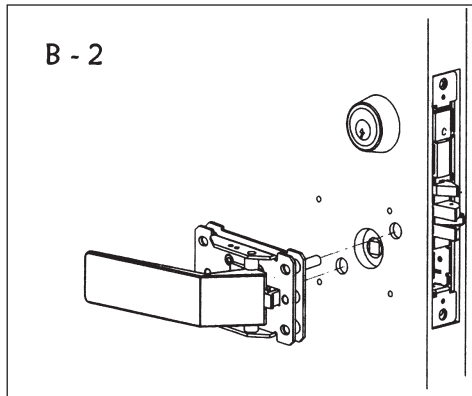
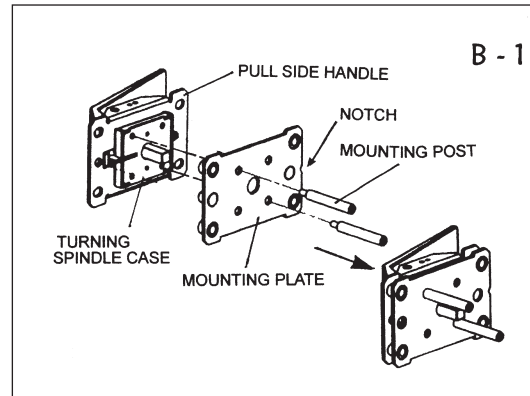
The center notch on the mounting plate must be kept the same hand (down, horizontal or up direction) as the handle. If not, the mounting plate cannot contact with Pull Side Handle closely.

2. Place Pull Side Handle setting on the pull side of door so that the spindle and two mounting posts can engage with the mortise lock.
3. Fasten Pull Side Handle using four round head screws, but do not over tighten at this step until Push Side Handle is installed completed.

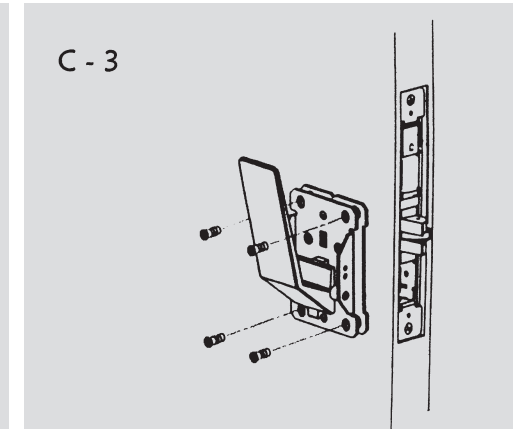
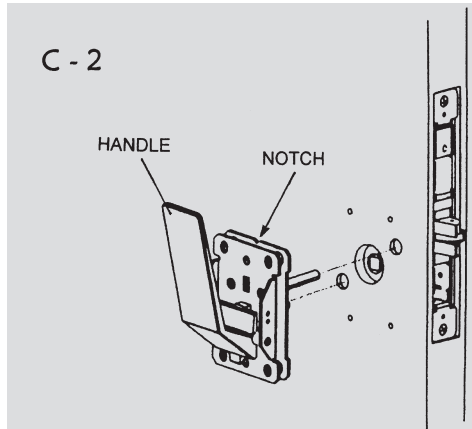
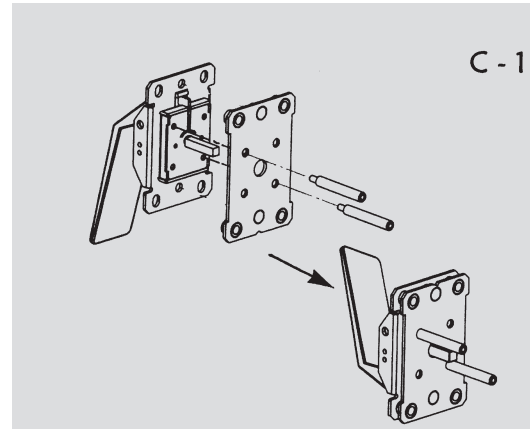
A. DOWN MOUNTING HAND



B. HORIZONTAL MOUNTING HAND



C. UP MOUNTING HAND



F. Install Push Side Handle

- A) This Push Side Handle can be mounted up, down, horizontally, see
 Fig. A – Down mounting hand.
 Fig. B – Horizontal mounting hand
 Fig. C – Up mounting hand

This Up mounting hand is available for the locks which do not have inside thumbturn to be installed on the push side of door.

B) Installation Steps:

1. Remove cover from Push Side Handle. Place "Turning Spindle Case" into four ferrules of Push Side Handle, then fasten with two flat head screws.
2. Fix mounting plate on the push side of door by two flat head screws, which must screw into the threaded hole of two mounting posts that come from the pull side of door and go through the mortise lock case.
3. Place Push Side Handle on the mounting plate, then fasten it using four round head screws.

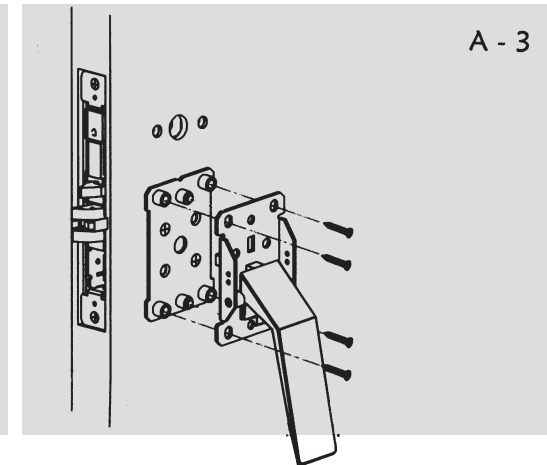
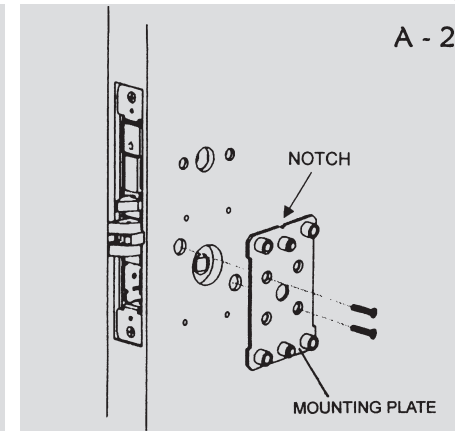
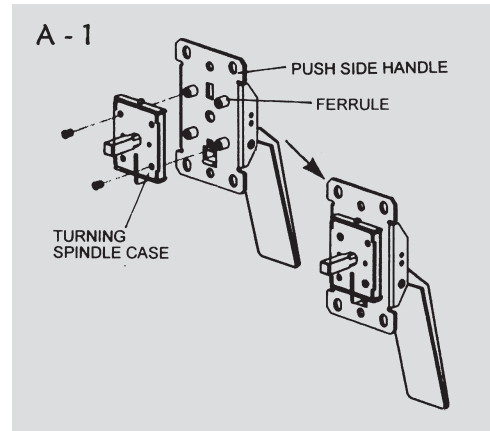
Note:

Make sure the center notch on the mounting plate in reverse direction with handle; if not, Push Side Handle cannot contact with the mounting plate closely.

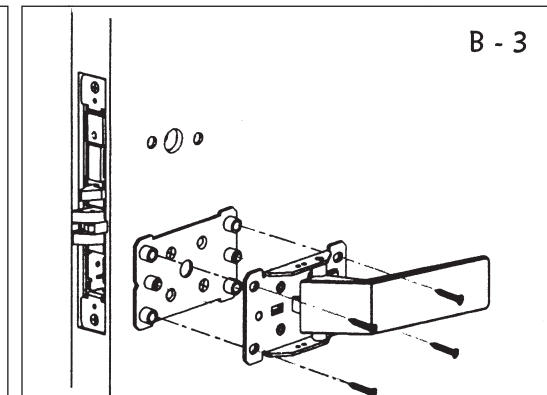
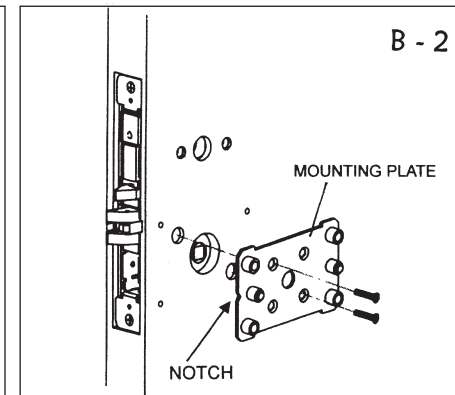
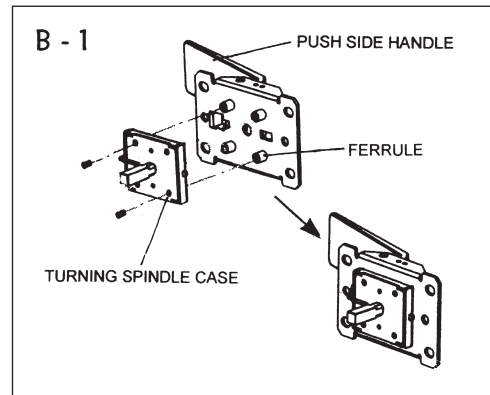
- C) Test the handle on each side of door for latch retraction several times to assure installation and operation without problem.

- E) Go back to secure the Pull Side Handle tightly.

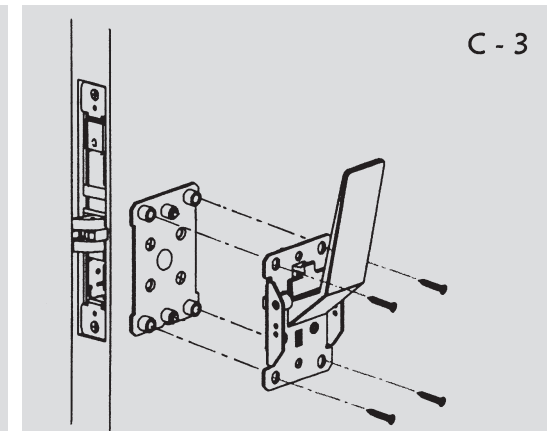
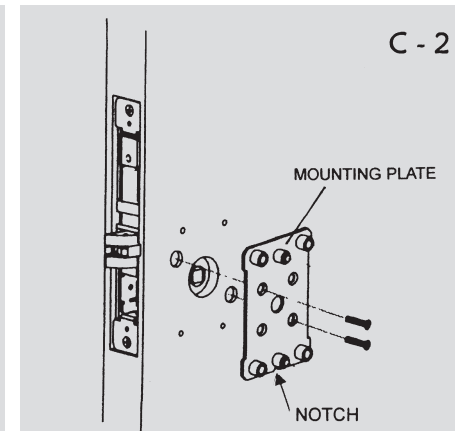
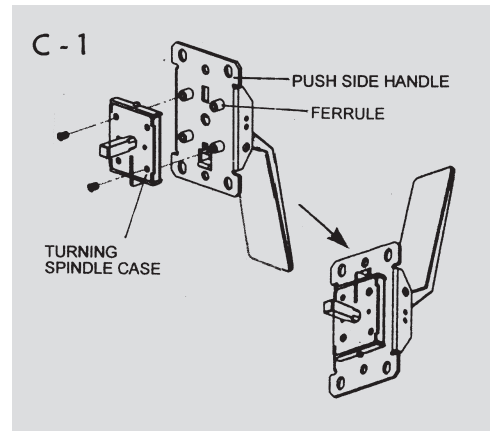
A. DOWN MOUNTING HAND



B. HORIZONTAL MOUNTING HAND



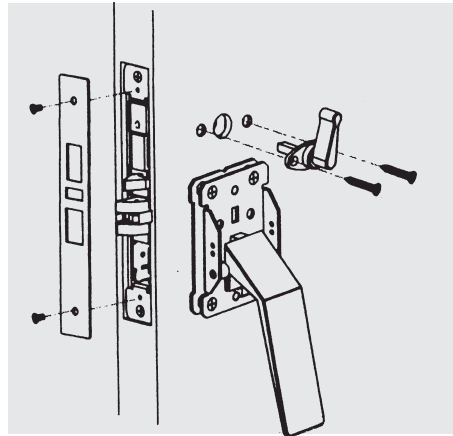
C. UP MOUNTING HAND



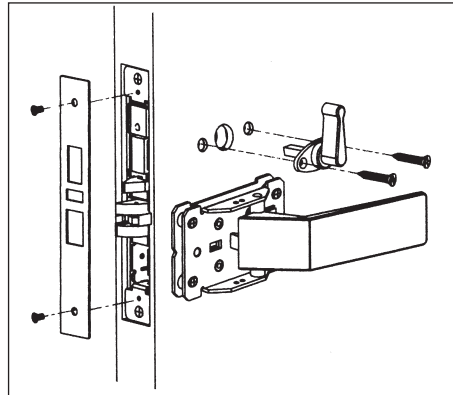
G. Install Thumbturn & Armor Faceplate

1. Insert thumbturn assembly and fasten with two (2) screws.
This step is not available for the handle mounted up.
2. Install armor faceplate onto lock case front and fasten with supplied screws.
This step is the same for all three mounting hands.

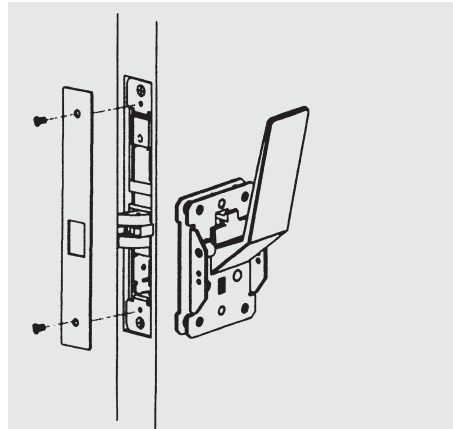
A. DOWN MOUNTING HAND



B. HORIZONTAL MOUNTING HAND



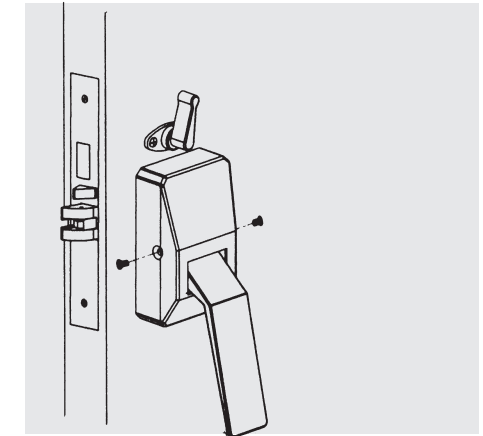
C. UP MOUNTING HAND



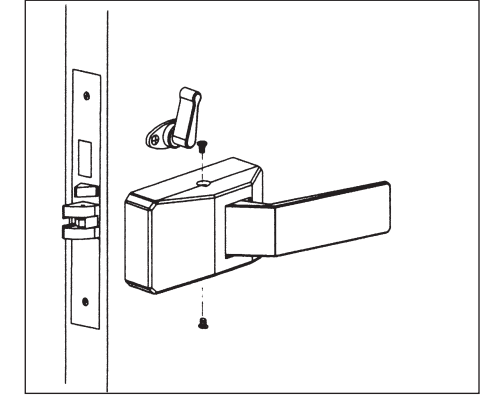
H. Install Cover For Push Side Handle

1. Place cover onto Push Side Handle, align the cover mounting holes with the lower mounting holes on cover bracket of Push Side Handle, then secure cover using two (2) flat head screws.
2. The cover direction varies with mounting hand of the handle, see the figures shown at right.

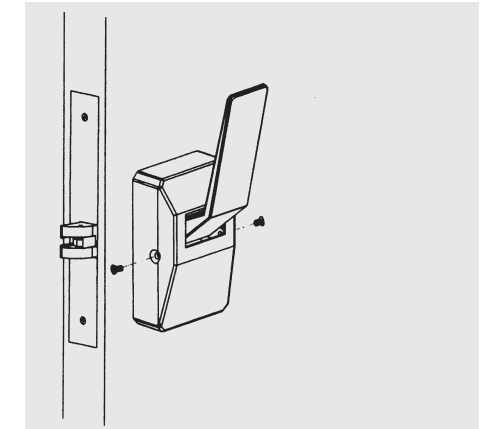
A. DOWN MOUNTING HAND



B. HORIZONTAL MOUNTING HAND

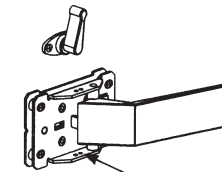


C. UP MOUNTING HAND



COVER BRACKET

Mount on this lower hole
(The other side is the same.)



Mount on this right hole
(The other side is the same.)

Mount on this upper hole
(The other side is the same.)

NOTE:
The lower mounting holes are viewed as upper mounting holes when the handle is reversed.