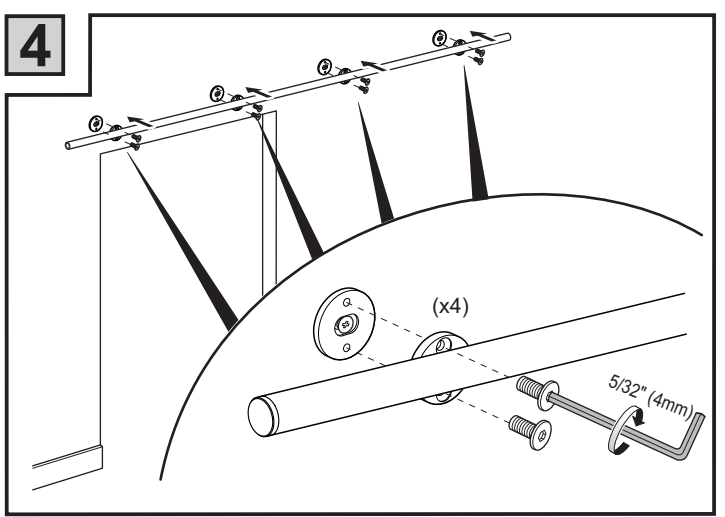
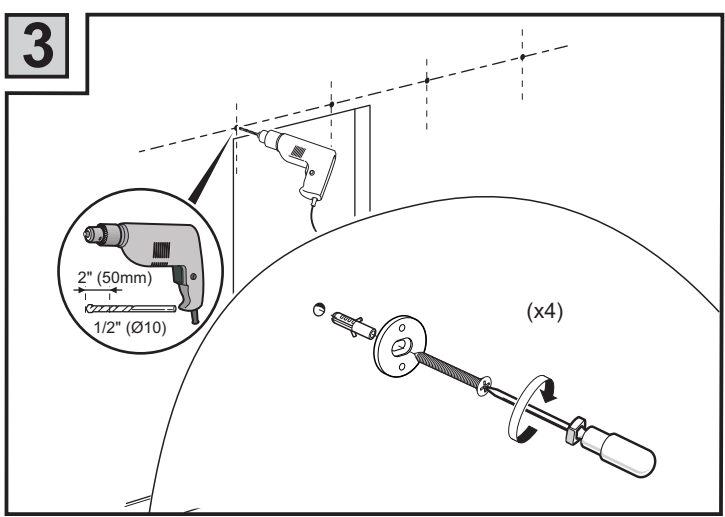
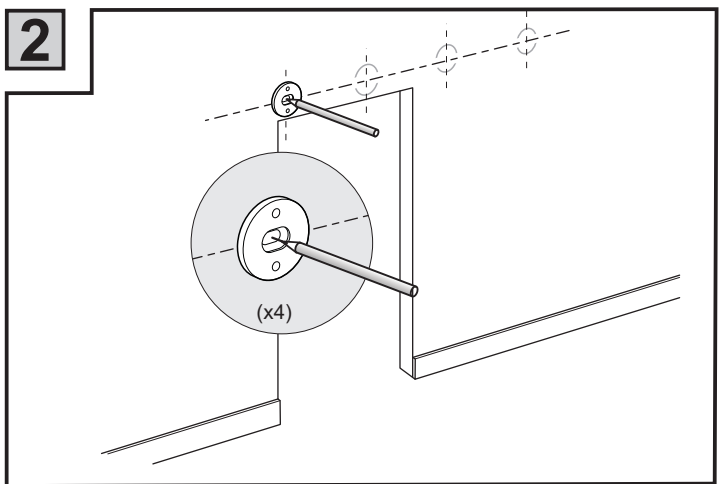
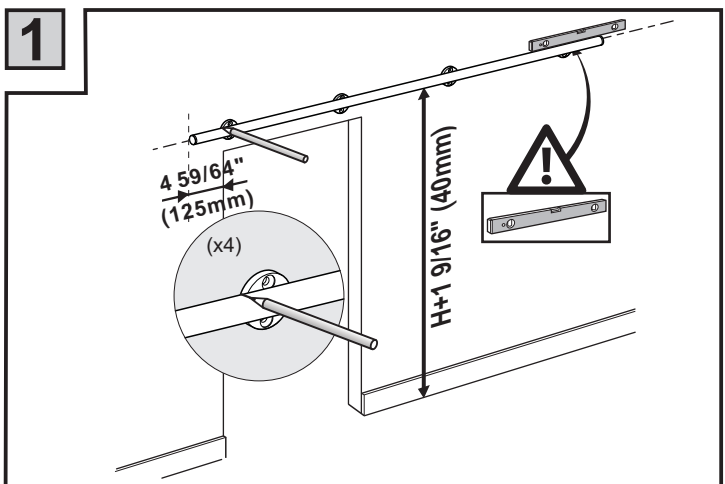
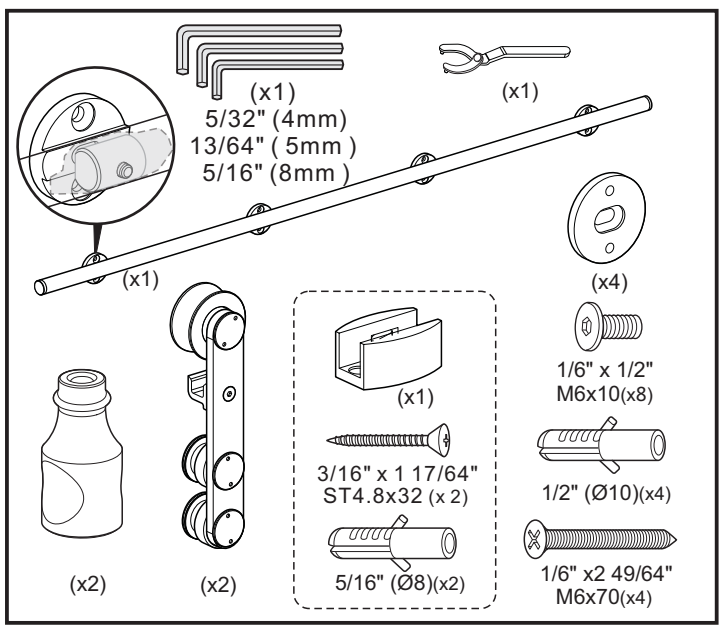
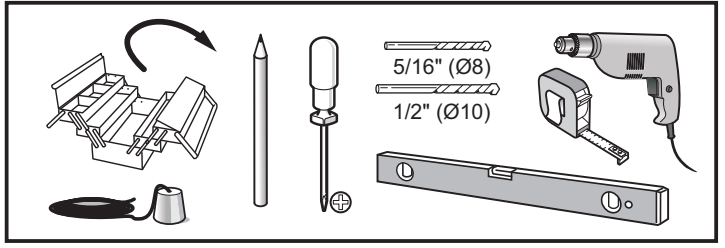
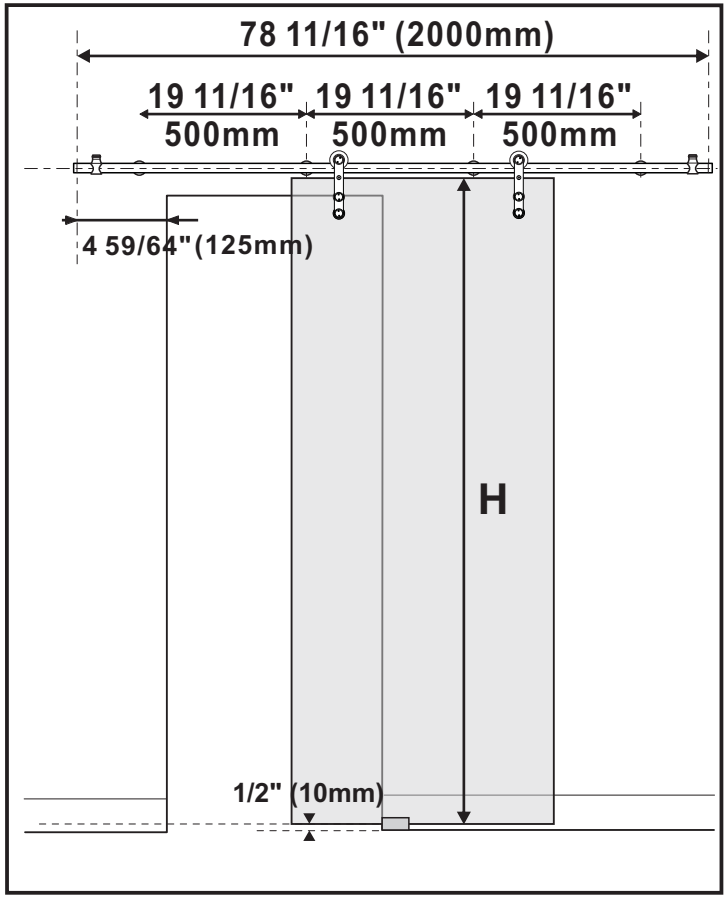
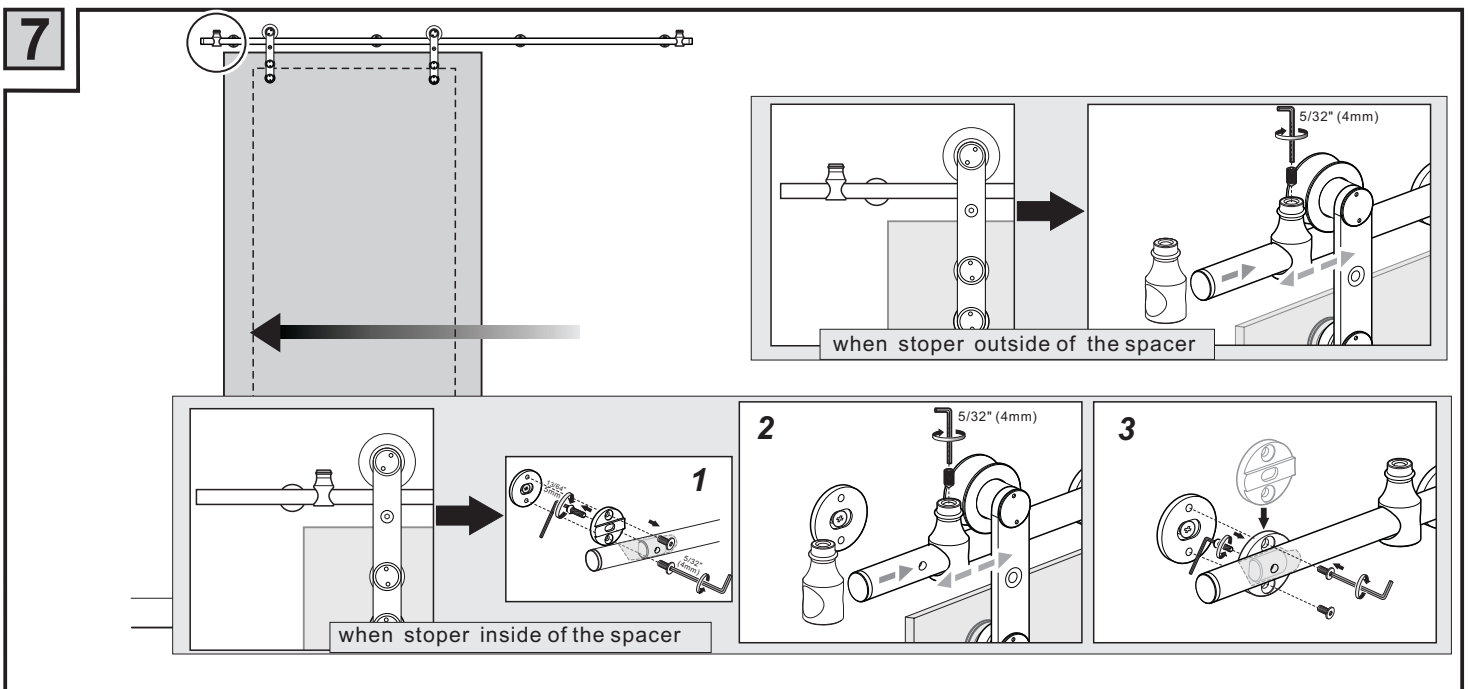
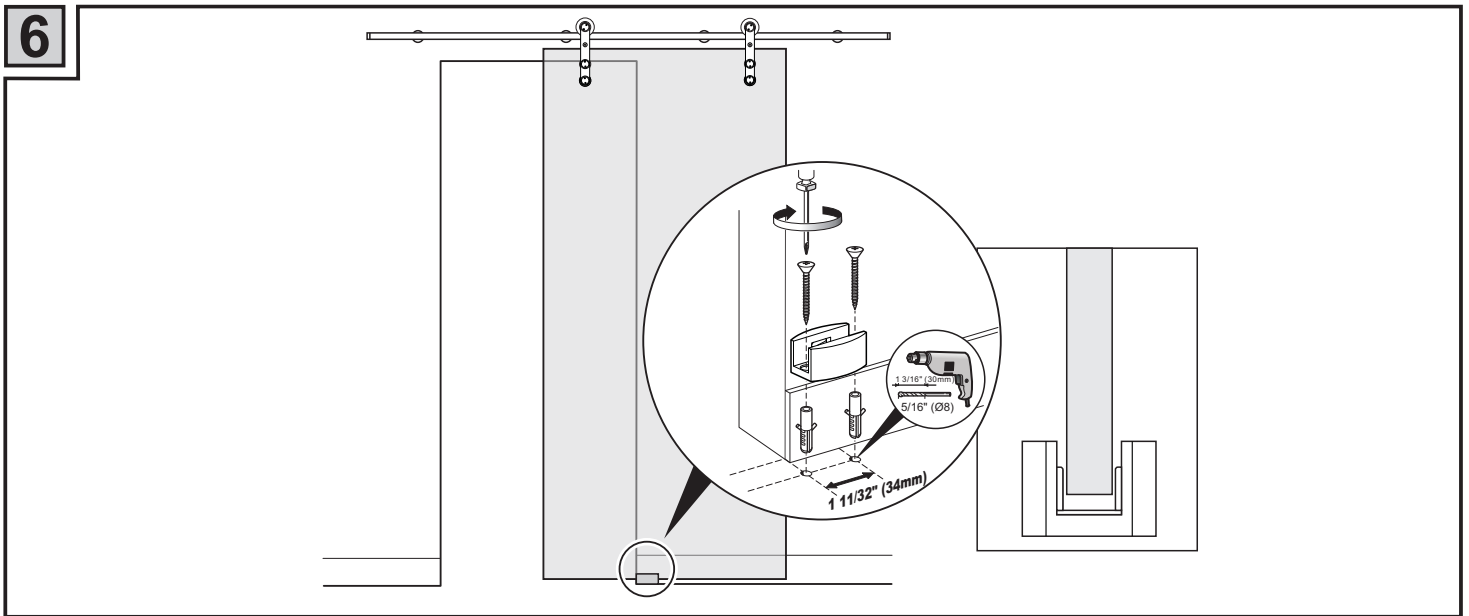
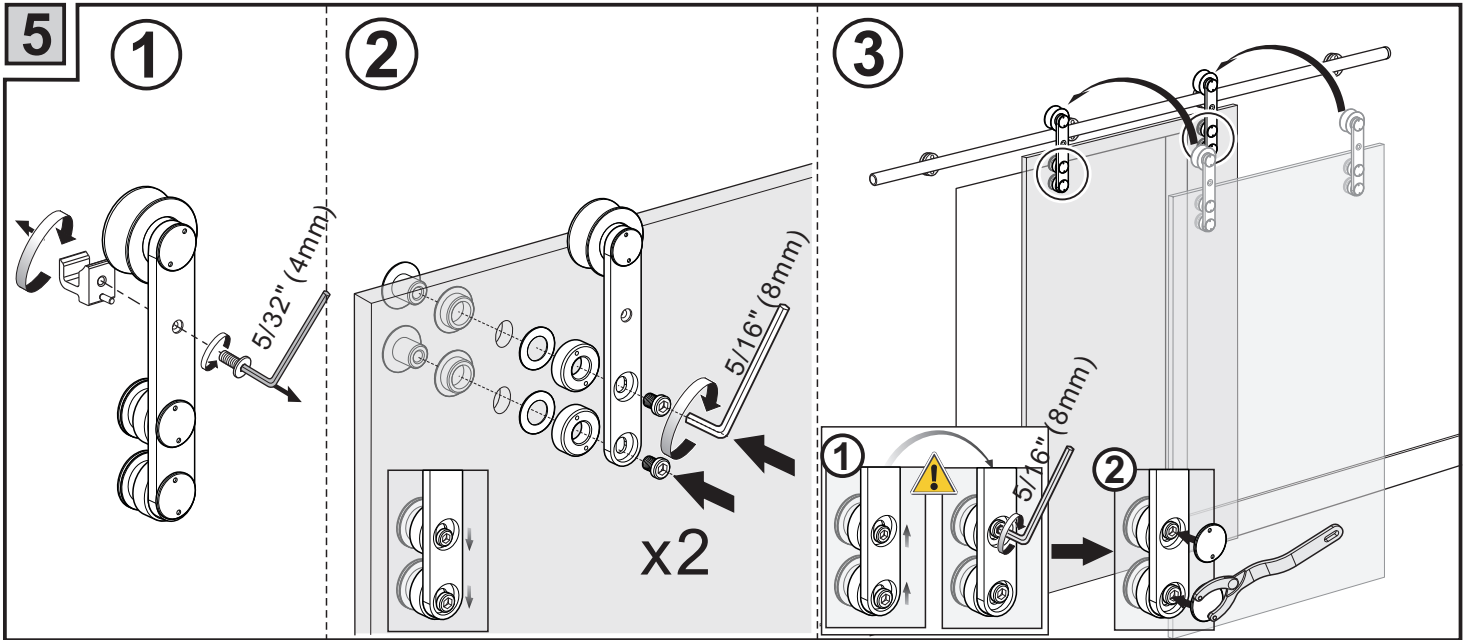
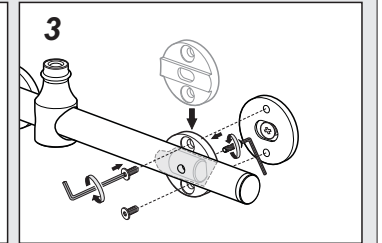
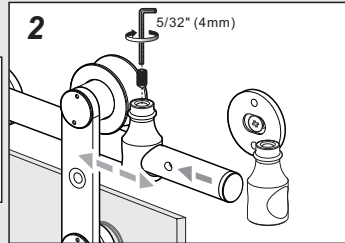
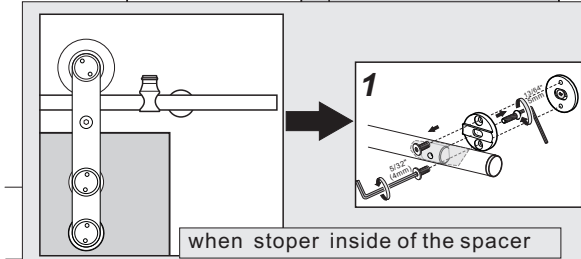
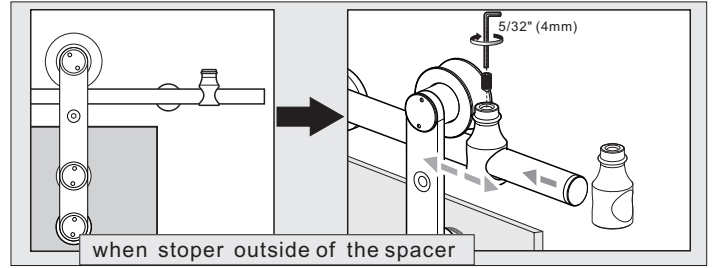
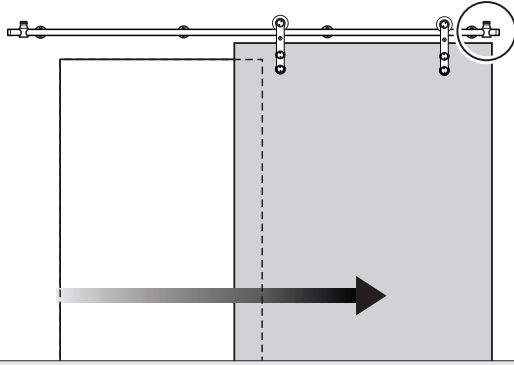


# Installation manual for SDH2066





8



9

