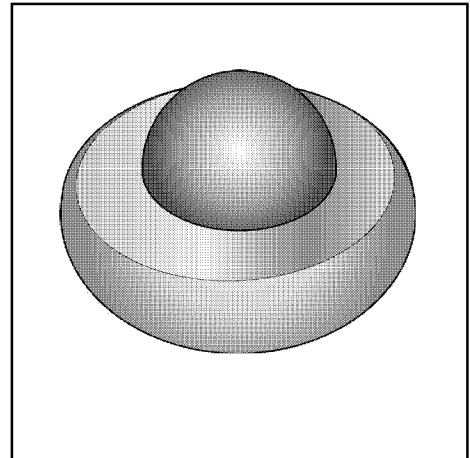
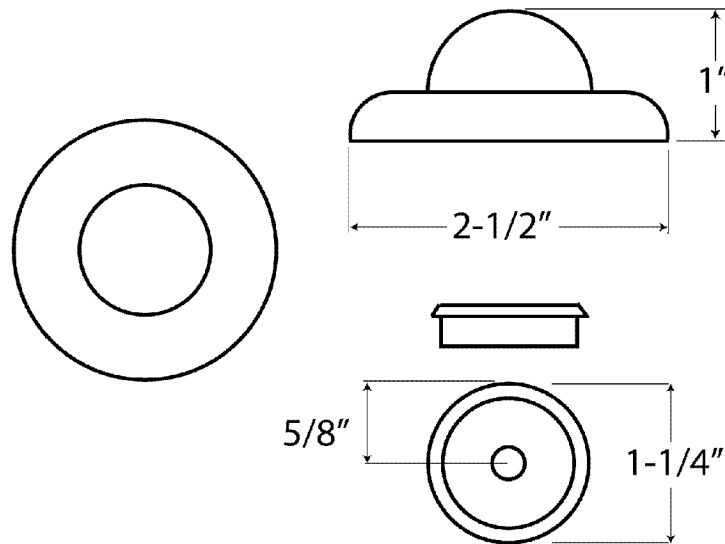


## Convex Wall Bumpers

- ⊙ Manufactured using Stainless Steel or Solid Brass
- ⊙ Backplate is factory pre-assembled for economical installation cost
- ⊙ Rubber bumpers have small hole for insertion of screw drivers for easy installation
- ⊙ Convex rubber bumper is designed to avoid damage to locks with projecting buttons
- ⊙ Packed with screw and drywall anchor
- ⊙ Conforms to ANSI/BHMA 156.16 L22201 for brass and L52101 for stainless steel
- ⊙ Architectural finishes available



ITEM#	BASE DIAMETER	BASE THICKNESS	OVERALL PROJECTION
CONWB42	2-1/2"	3/8"	1"



### Cal-Royal Products, Inc.

6605 Flotilla St., City of Commerce, CA 90040 U.S.A.

Phone: (323) 888-6601 • (800) 876-9258 • Fax: (323) 888-6699 • (800) 222-3316

Email: sales@cal-royal.com • Website: www.cal-royal.com



The illustration and technical description in this Specification Sheet is current as of the date in the version box above. Cal-Royal Product reserves the right to, and may frequently make changes and/or improvements in designs and dimensions.