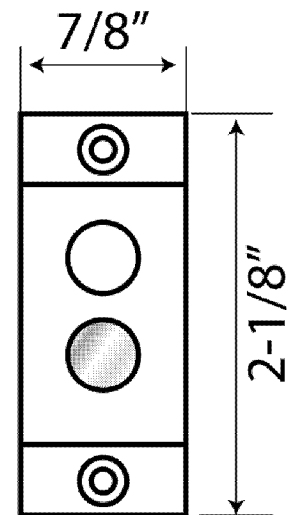
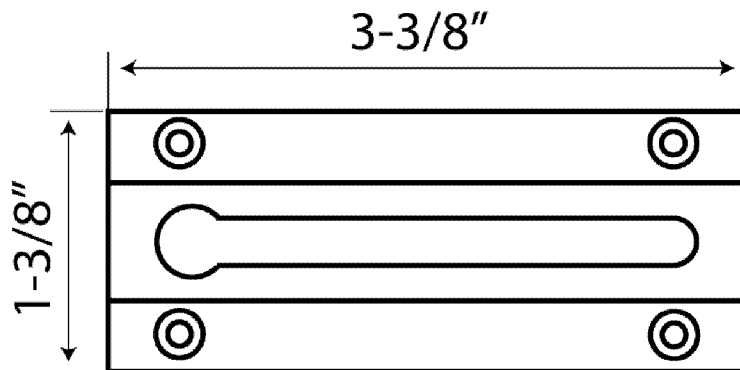
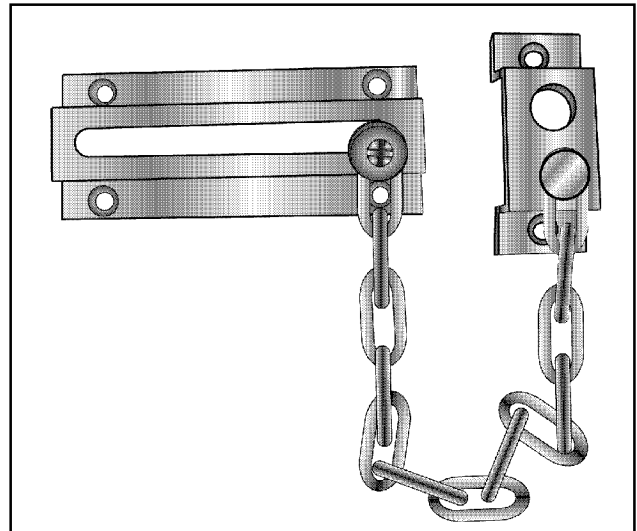


Solid Brass Chain Door Guard

- ⦿ Provides security when viewing without fully opening door
- ⦿ Welded solid steel chains to prevent forced entry
- ⦿ Individually poly-bagged with sheet metal screws
- ⦿ Chain Length: 9"
- ⦿ Conforms to ANSI/BHMA 156.16
- ⦿ Architectural finishes available



Chain Link: 9"

Cal-Royal Products, Inc.

6605 Flotilla St., City of Commerce, CA 90040 U.S.A.

Phone: (323) 888-6601 • (800) 876-9258 • Fax: (323) 888-6699 • (800) 222-3316

Email: sales@cal-royal.com • Website: www.cal-royal.com



The illustration and technical description in this Specification Sheet is current as of the date in the version box above. Cal-Royal Product reserves the right to, and may frequently make changes and/or improvements in designs and dimensions.