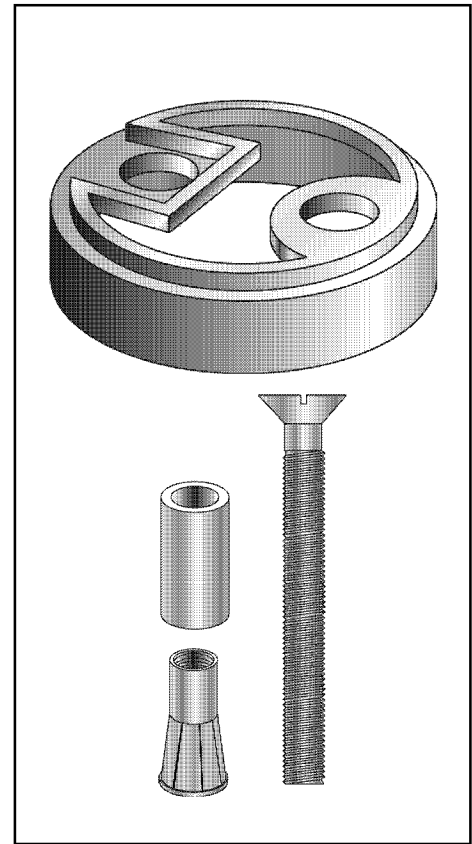
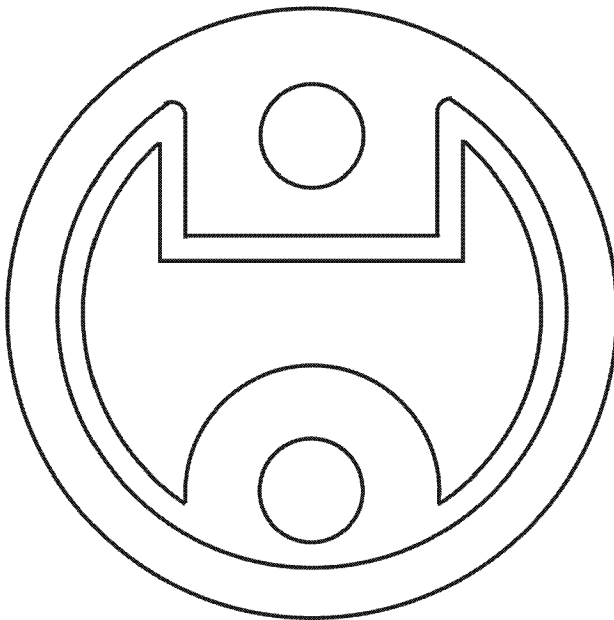
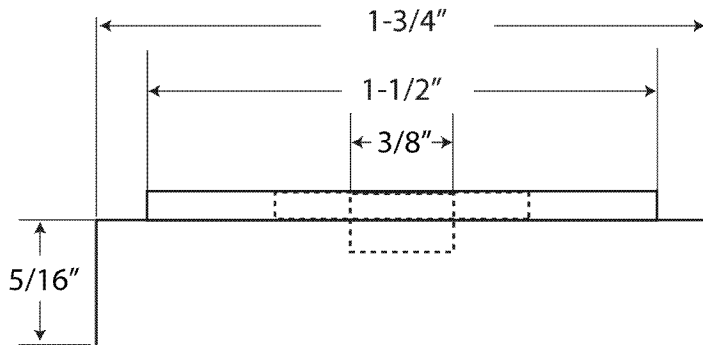


# NEWRIS3750



## Risers

- ⦿ Heavy Duty Diecast construction
- ⦿ For conversion of DSLP4 or DSHP18 Dome Stop for carpet installation or adapting to threshold use
- ⦿ Conforms to ANSI/BHMA 156.1, L12161 when used with DSLP4
- ⦿ Packed with wood screw, lead shield and stud
- ⦿ Height: 5/16"
- ⦿ Base Diameter: 1-3/4"
- ⦿ Architectural finishes available



### Cal-Royal Products, Inc.

6605 Flotilla St., City of Commerce, CA 90040 U.S.A.

Phone: (323) 888-6601 • (800) 876-9258 • Fax: (323) 888-6699 • (800) 222-3316

Email: sales@cal-royal.com • Website: www.cal-royal.com



The illustration and technical description in this Specification Sheet is current as of the date in the version box above. Cal-Royal Product reserves the right to, and may frequently make changes and/or improvements in designs and dimensions.