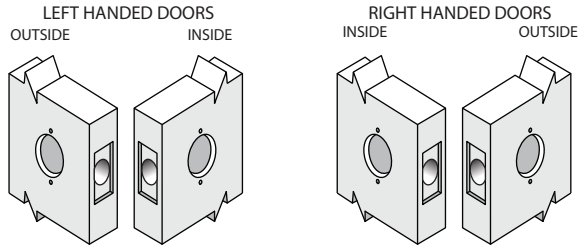
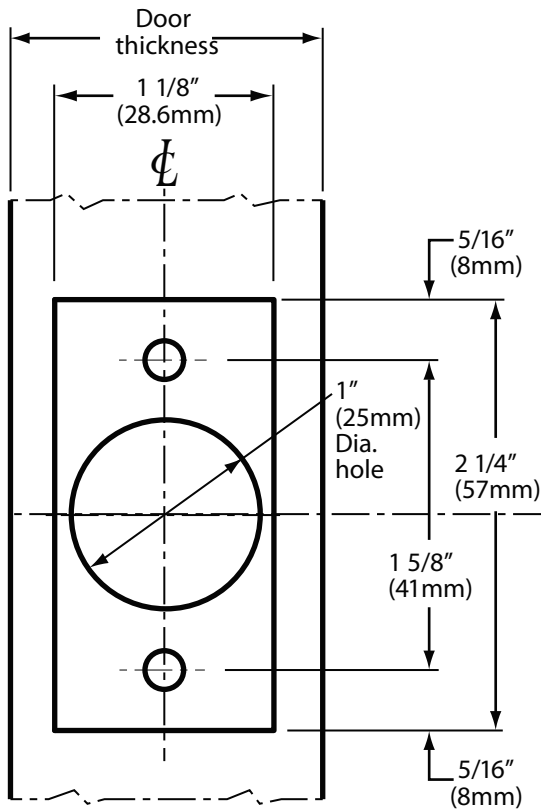


Standard Packaging:

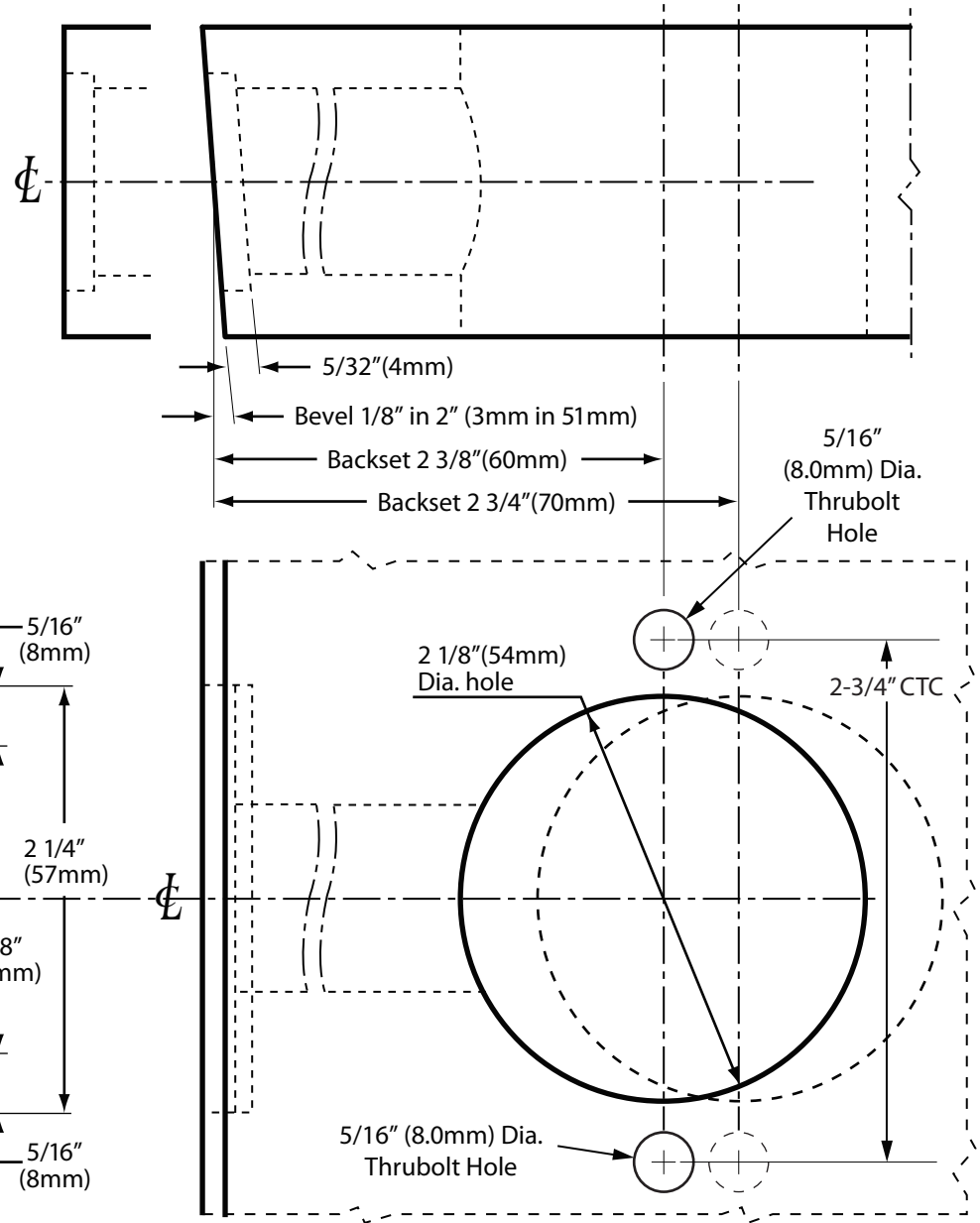
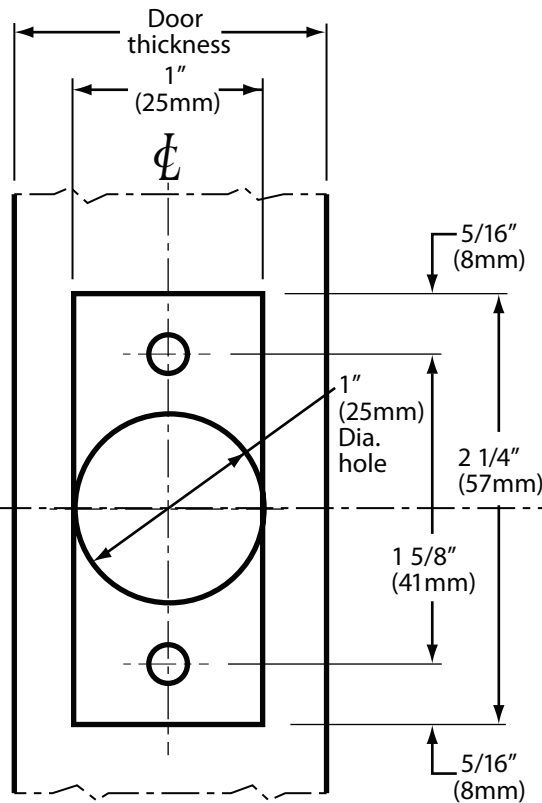
Latchbolt: 2-3/4"
Face plate: 1-1/8" x 2-1/4"



Standard 2-3/4" Latch



Optional 2-3/8" Latch



NOTE: Applicable for all functions except dummy



6605 Flotilla St.
City of Commerce
CA 90040 USA
Tel: (323) 888-6601
FAX: (323) 888-6699
Website: cal-royal.com
Email: sales@cal-royal.com

ITEM NO.	DESCRIPTION	ANSI	SCALE	UNIT	VERSION
ICGYS	GENESYS SERIES CLUTCH MECHANISM, FIXED TH RUBOLT	A156.2 Grade 1	1 : 1	inches (mm)	ver. 1.0 rev. 04/12
			PAGE 1 OF 1		BY: bteves/adg