

**NOTE:**  
**IMPORTANT!**  
 ALIGNMENT STUDS **MUST**  
 ENTER INTO (2) 5/16" FIELD  
 DRILLED HOLES ON  
 OUTSIDE OF DOOR  
 (EXISTING SLOTS CAN BE  
 ELONGATED WITH A FILE)

MANUFACTURER'S WARRANTY INVALID  
 IF SECURITY STUDS ARE REMOVED

FOLD AND ALIGN TEMPLATE ON EDGE OF DOOR

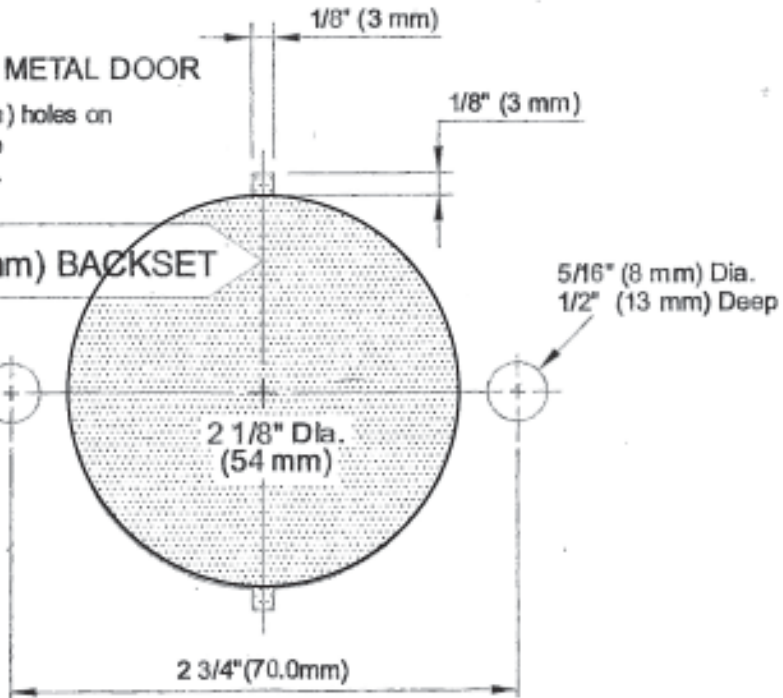
**TEMPLATE**

FOR WOOD OR METAL DOOR

Drill two 5/16" (8 mm) holes on  
 horizontal center line  
 from outside of door.

2 3/4" (70 mm) BACKSET

5/16" (8 mm) Dia.  
 1/2" (13 mm) Deep



PLACE TEMPLATE ON  
 HIGH EDGE OF BEVEL



6605 Flotilla St.  
 City of Commerce  
 CA 90040 USA  
 Tel: (323) 888-6601  
 FAX: (323) 888-6699  
 Website: cal-royal.com  
 Email: sales@cal-royal.com

ITEM NO.:	DESCRIPTION:	SCALE:
<b>8000K</b>	Installation Instructions for Trim of Panic Exit Device (DOORS WITH CYLIDRICAL LOCK CUT-OUT)	1:1
ANSI:	UNIT:	VERSION:
---	inches (mm)	ver. 1.0 rev. 01/12
		BY:
		bteves/adg