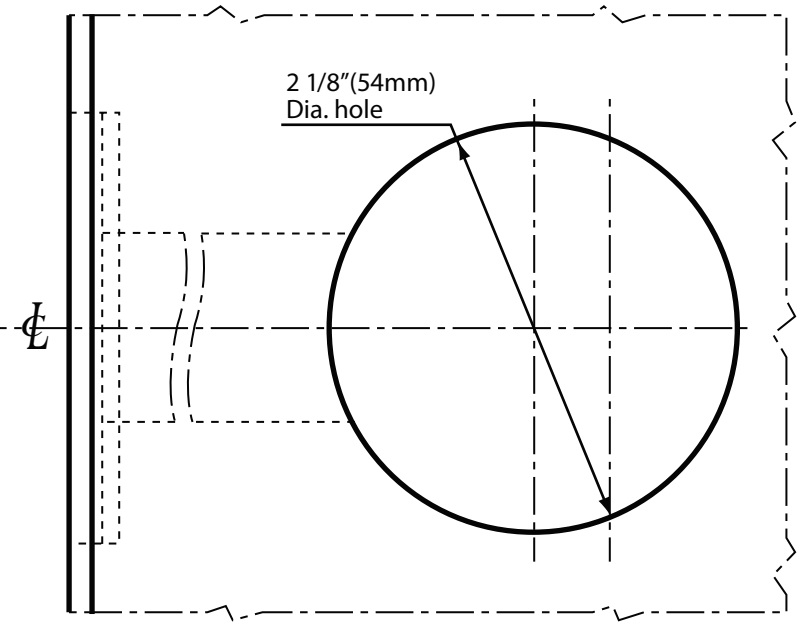
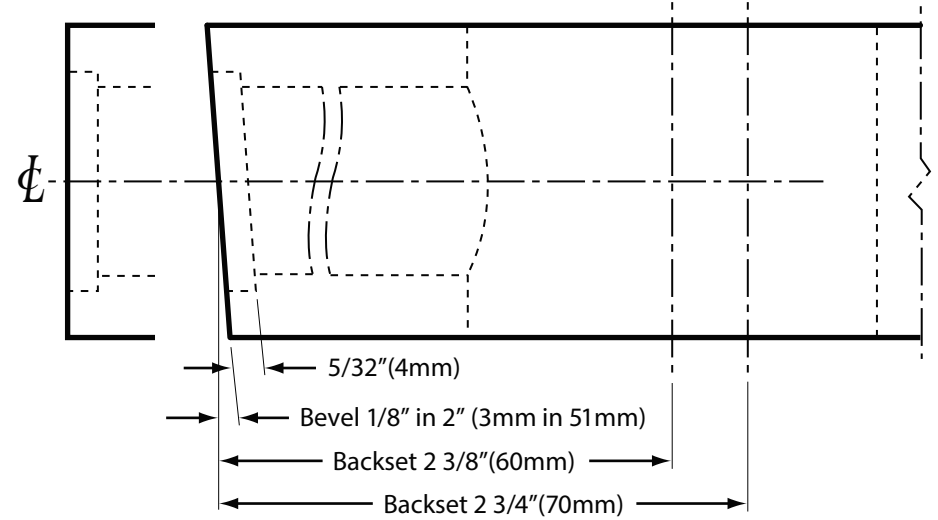
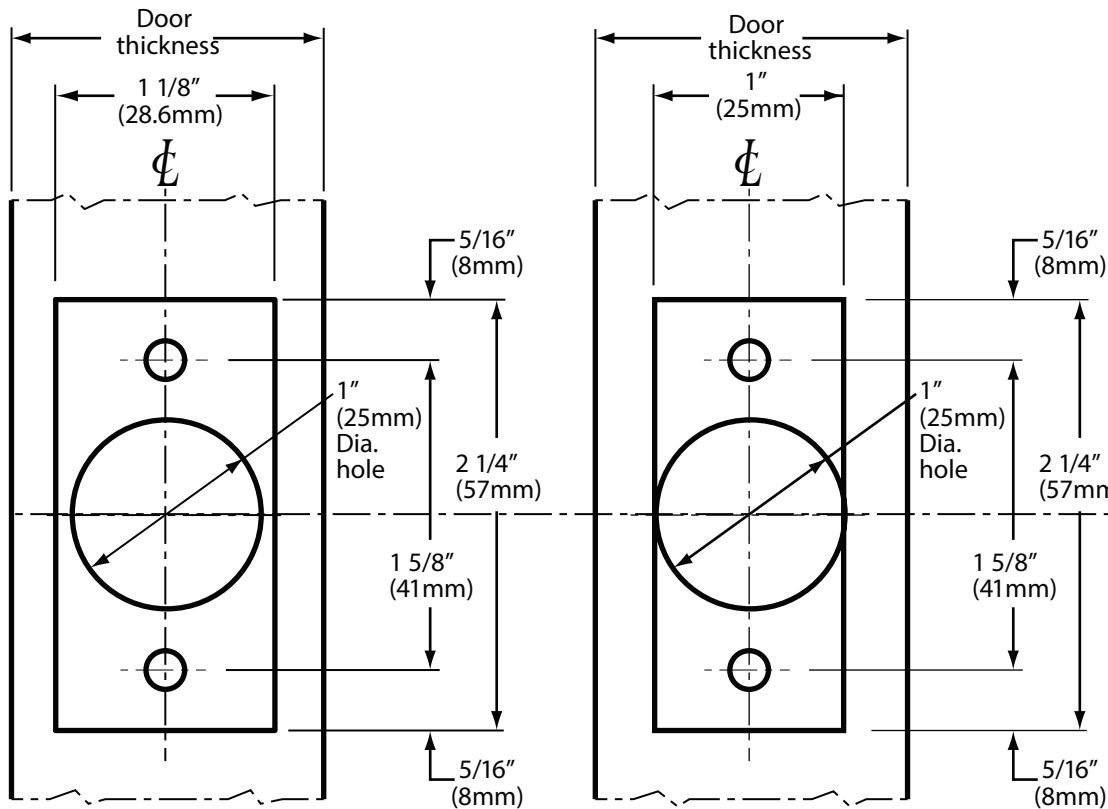
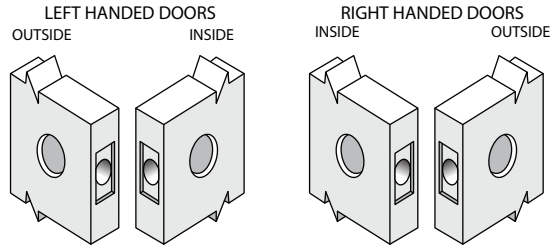


Standard Packaging:

1. Adjustable latch bolt 2-3/8" - 2-3/4"
2. Face plate 1" x 2-1/4".
3. Plastic filler for 1-1/8" latch prep.



6605 Flotilla St.
 City of Commerce
 CA 90040 USA
 Tel: (323) 888-6601
 FAX: (323) 888-6699
 Website: cal-royal.com
 Email: sales@cal-royal.com

ITEM NO.	DESCRIPTION	ANSI	SCALE	UNIT	VERSION
ULT700	ONE WAY DEAD BOLT WITH INTERNAL PLATE	A156.5 Grade 2	1 : 1 IF PRINTED TO SIZE	inches (mm)	ver. 1.0 rev.4/15
			PAGE 1 OF 1		BY: adg