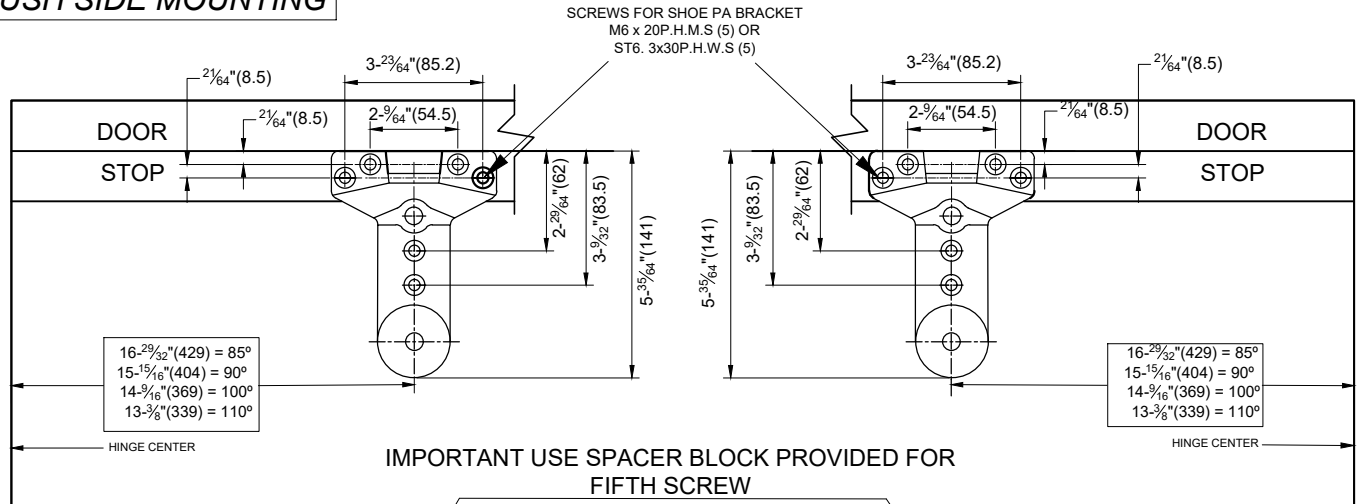


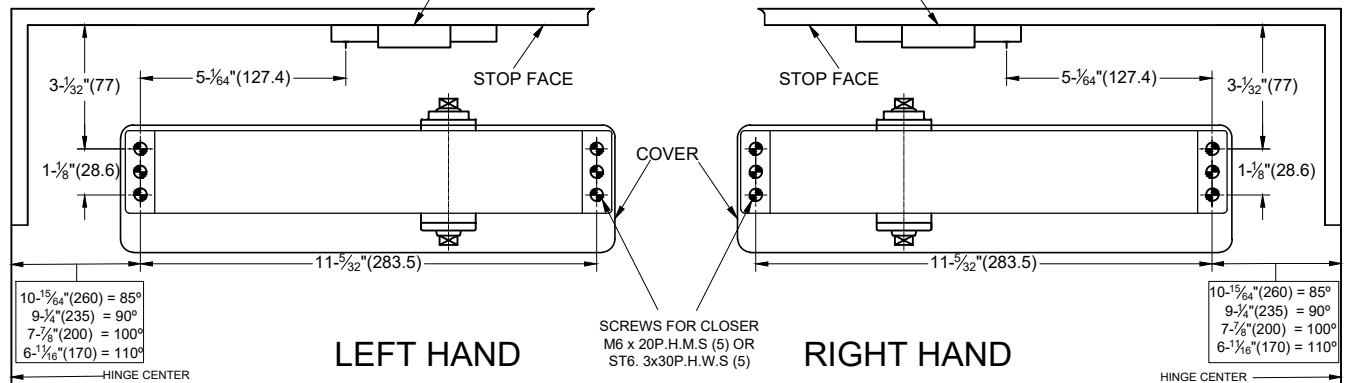
MAXIMUM OPENING 110°

FOR TOP RAIL LESS THAN 5-1/2", DROP PLATE WILL BE REQUIRED

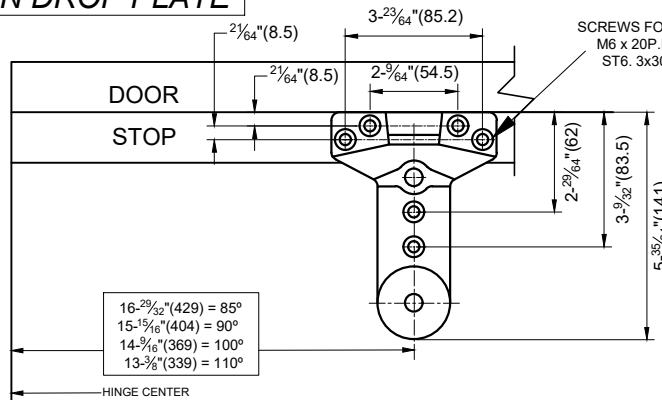
**PUSH SIDE MOUNTING**



**IMPORTANT USE SPACER BLOCK PROVIDED FOR FIFTH SCREW**

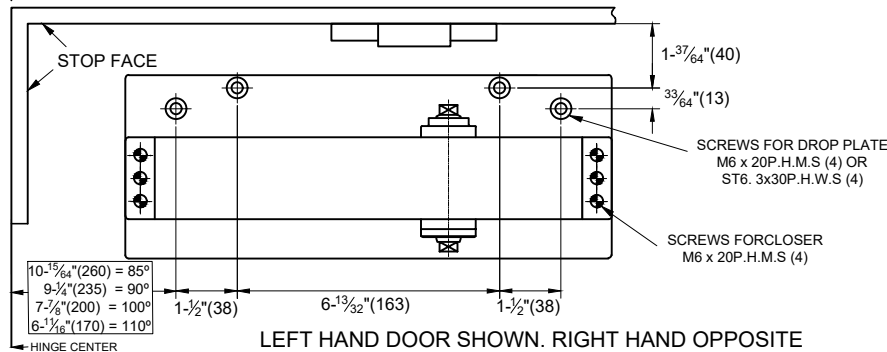
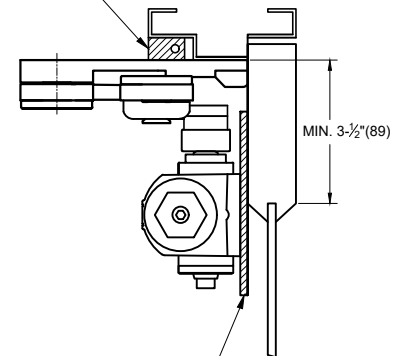


**ON DROP PLATE**



**IMPORTANT**

USE SPACER BLOCK PROVIDED FOR FIFTH SCREW



The illustration and technical description in this cut sheet is current as of the date in version date on the right.

Cal-Royal Product reserves the right to, and may, on occasions, make changes and/or improvements in designs and dimensions without prior notice.

	6605 Flotilla Street City of Commerce CA 90040 USA Tel.# (323) 888-6601 FAX # (323) 888-6699 WEB SITE: CAL-ROYAL.COM Email: sales@cal-royal.com	ITEM NO.	DESCRIPTION	NOT TO SCALE	UNIT	Prepared By:	DATE	DWG. NO.
		900 HOSRPS	TEMPLATE for 900 HOSRPS	PAGE 1 of 1	PRIMARY DIMENSION SHOWN IN INCHES, DIMENSIONS IN ( ) ARE MM	BBT / ADG / CVL	02/22/22	DCT1006
								REV - - - -