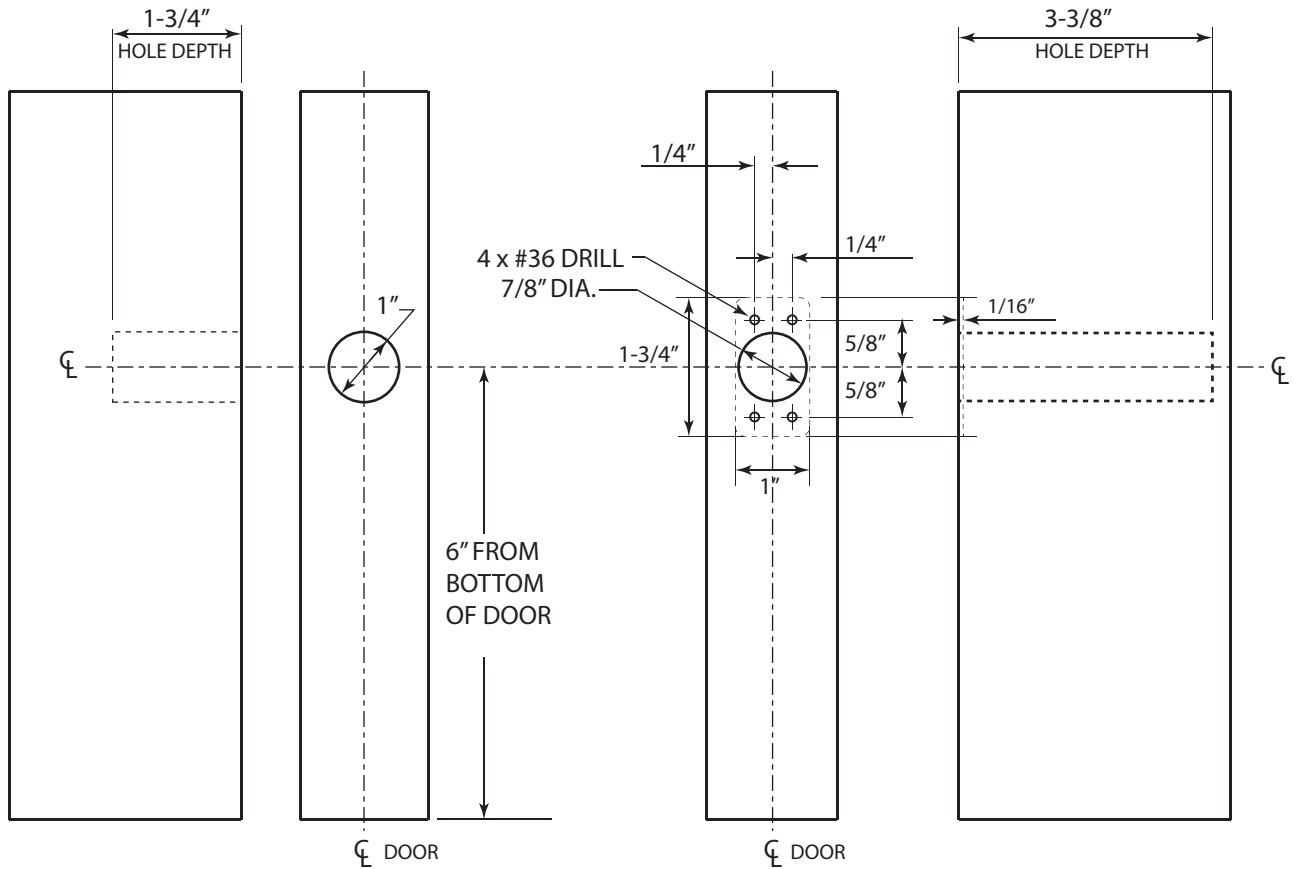
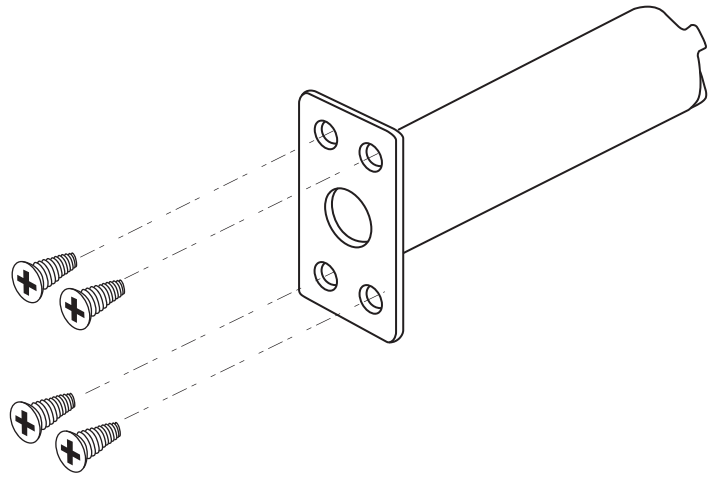


DESCRIPTION	QTY.
AUXILIARY FIRE LATCH ASSEMBLY	1
#6 8-32 x 3/4" COMBO MS/WS	4
STRIKE HOLE PLUG	1



STRIKE HOLE PLUG



**STRIKE HOLE PLUG  
DOOR LEAF**

**AUXILIARY FIRE LATCH ASSEMBLY  
DOOR LEAF**



6605 Flotilla St.  
City of Commerce  
CA 90040 USA  
Tel: (323) 888-6601  
FAX: (323) 888-6699  
Website: cal-royal.com  
Email: sales@cal-royal.com

ITEM NO:	DESCRIPTION:	SCALE:	SCALE:
AUXFL	AUXILIARY FIRE LATCH	NOT TO SCALE	PAGE 1 of 1
ANSI:	UNIT:	VERSION:	BY:
	inches	ver. 2.0 rev. 01/16	bteves/adg/sac