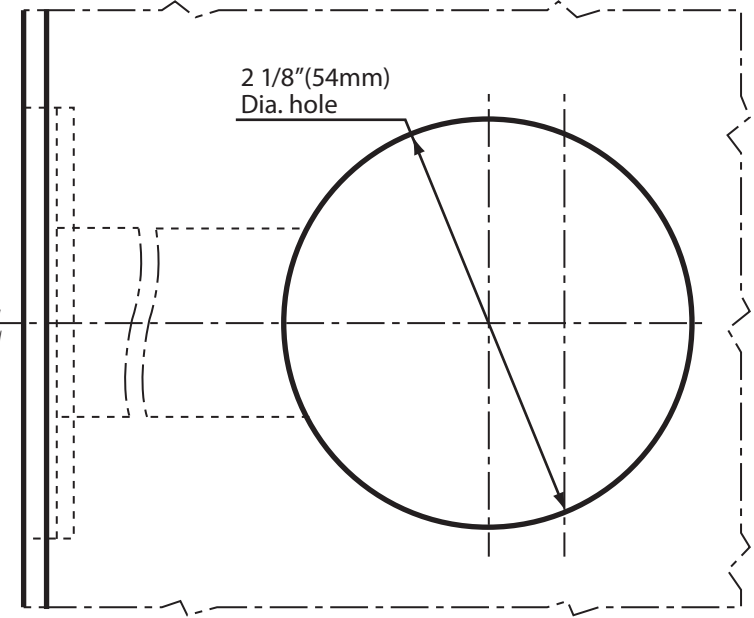
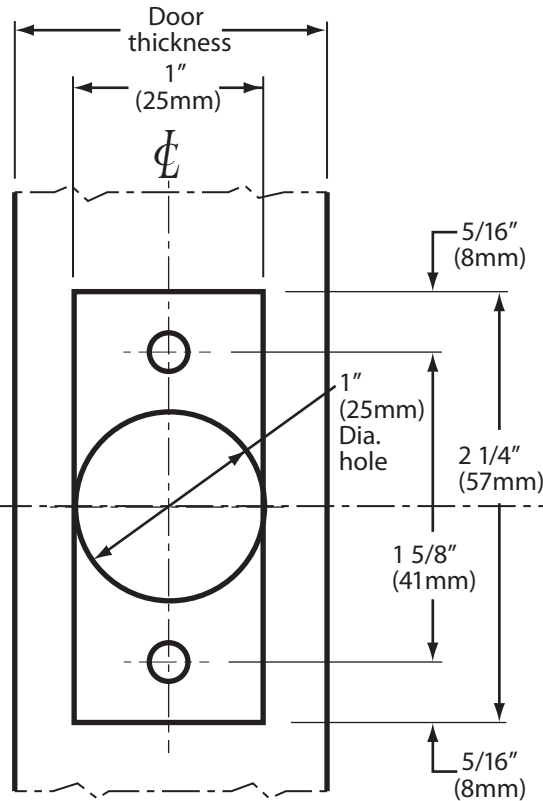
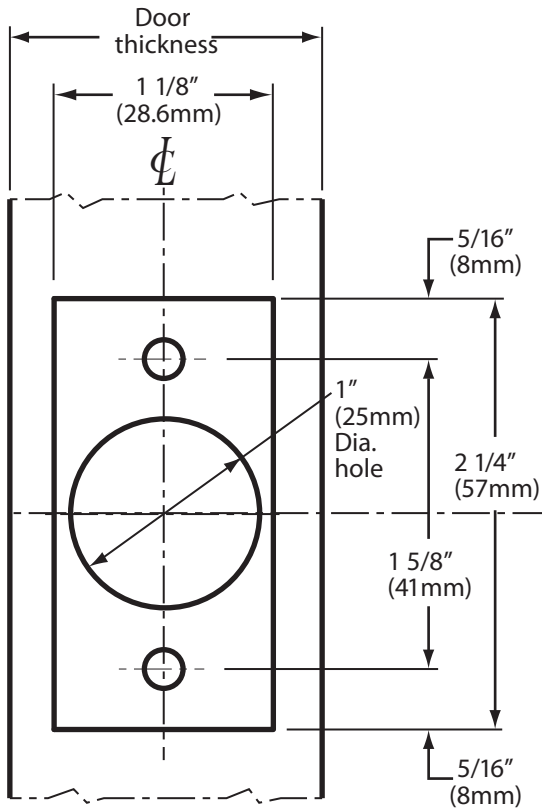
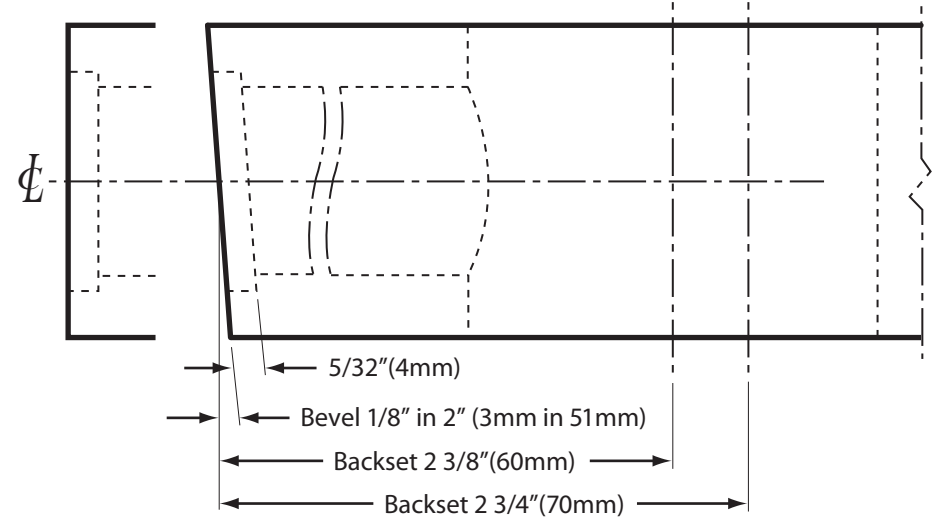
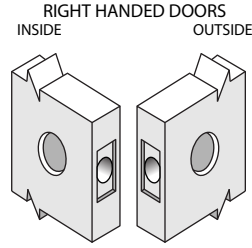
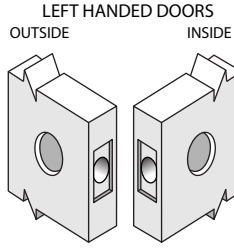


Standard Packaging:

1. Adjustable latch bolt 2-3/8" - 2-3/4".
2. Face plate 1" x 2-1/4".
3. Plastic filler for 1-1/8" latch prep.
4. ULT300 Series Deadbolt strike 1-1/8" x 2-3/4".



The illustration and technical description in this cut sheet is current as of the date in version date on the right. Cal-Royal Product reserves the right to, and may, on occasions, make changes and/or improvements in designs and dimensions without prior notice.



6605 Flotilla Street
 City of Commerce
 CA 90040 USA
 Tel# (323) 888-6601
 FAX # (323) 888-6699
 WEB SITE:
 CAL-ROYAL.COM
 Email: sales@cal-royal.com

ITEM NO.	DESCRIPTION :
ULT362	TEMPLATE OF A DOUBLE CYLINDER HEAVY DUTY DEADBOLT

1:1 SCALE
PAGE 1 OF 1

UNIT
PRIMARY DIMENSION SHOWN IN INCHES. DIMENSIONS IN () ARE MM

Prepared By:	DATE	DWG. NO.
BBT / ADG AED / CVL	02/07/23	LST - 2023
		Ver. 02

DATE	DWG. NO.
02/07/23	LST - 2023
Ver. 02	