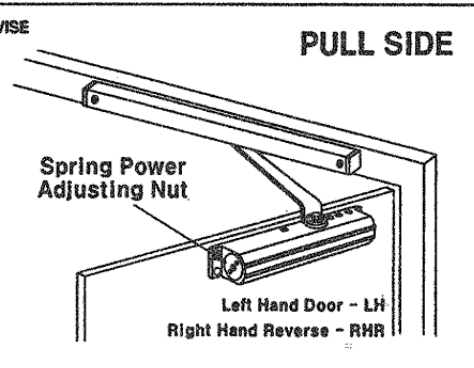
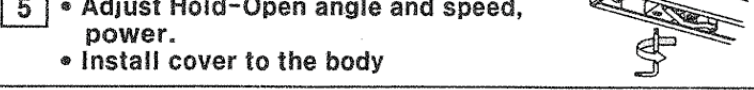
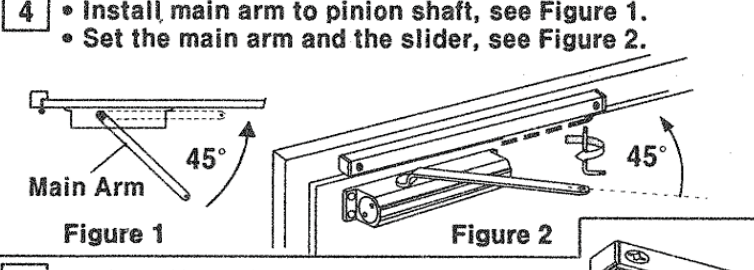
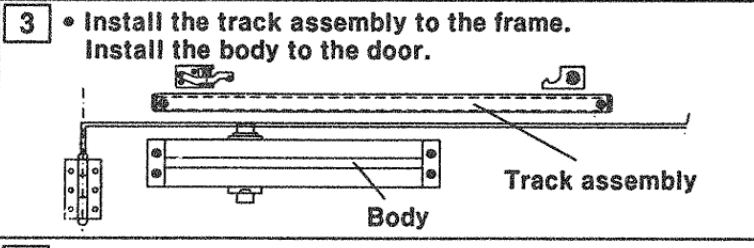
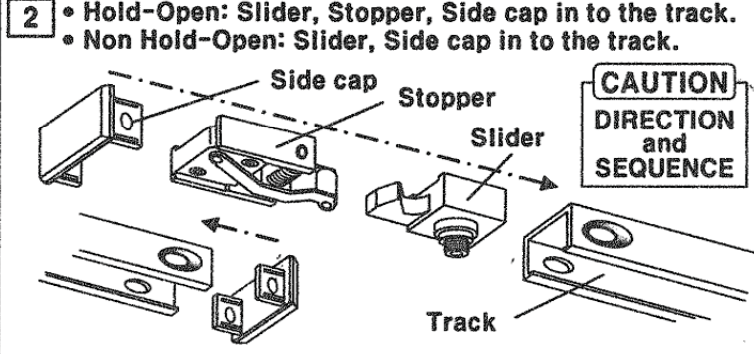
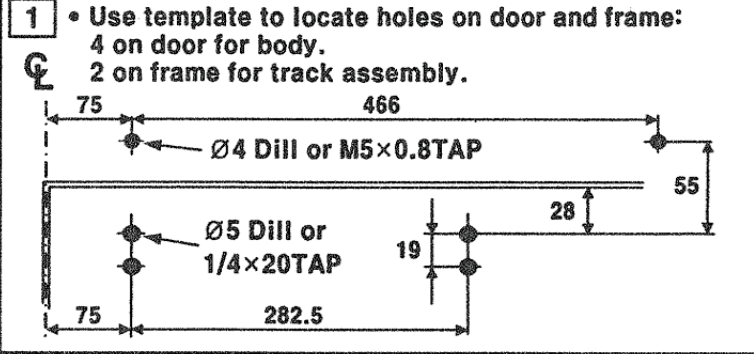


**SPRING POWER ADJUSTMENT** C.W. : CLOCKWISE  
C.C.W. : COUNTER CLOCKWISE

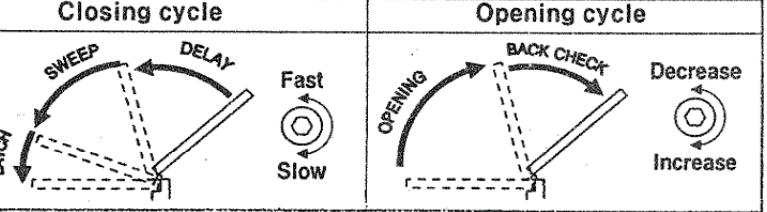
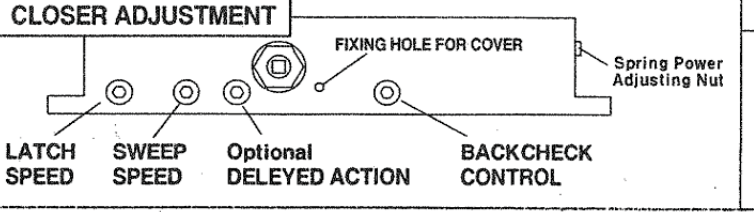
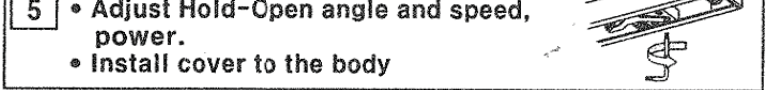
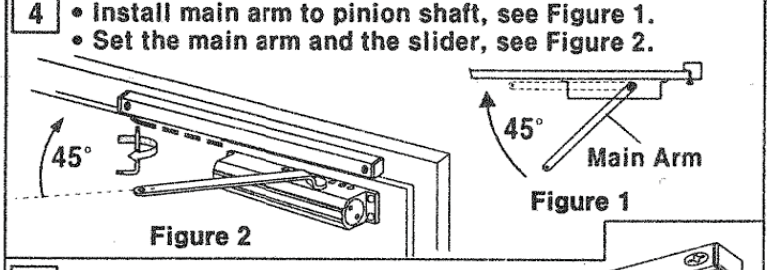
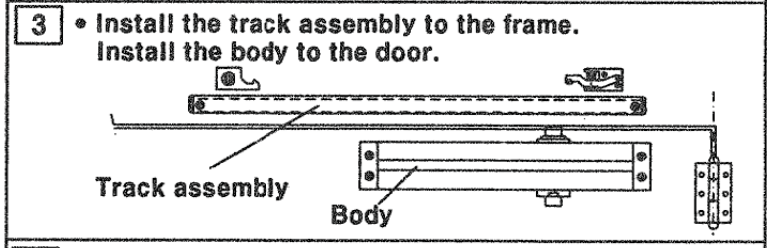
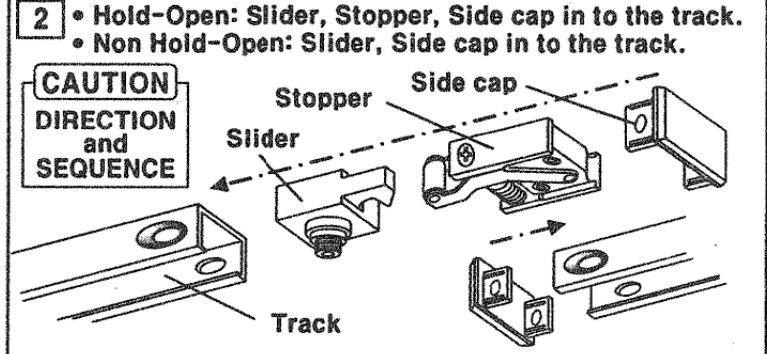
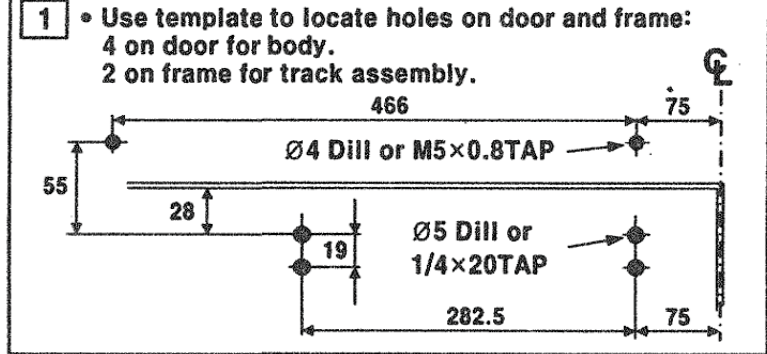
DOOR CLOSER SIZE	CLOCKWISE TURNS OF ADJUSTING NUT	APPLICABLE DOOR LEAF WIDTH		APPLICABLE DOOR WEIGHT
		INTERIOR	EXTERIOR (SWING OUT)	
1	5 Turns C.C.W.	32" (0.81m)	28" (0.71m)	33-66 LBS (15-30Kg)
2	3 Turns C.C.W.	36" (0.91m)	32" (0.81m)	66-99 LBS (30-45Kg)
3	PRESET	42" (1.07m)	36" (0.91m)	99-143 LBS (45-55Kg)
4	3 Turns C.W.	48" (1.22m)	42" (1.07m)	143-187 LBS (65-85Kg)
5	6 Turns C.W.	54" (1.37m)	48" (1.22m)	187-264 LBS (85-120Kg)
6	9 Turns C.W.	58" (1.47m)	54" (1.37m)	264-330 LBS (120-150Kg)



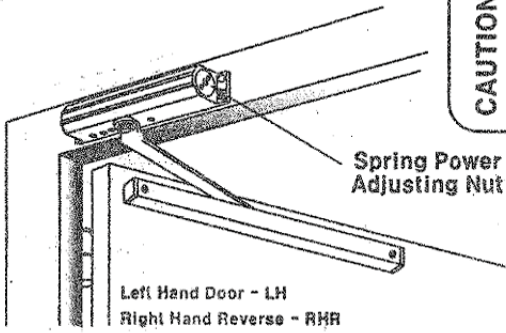
★ **INSTALLATION INSTRUCTIONS**



★ **INSTALLATION INSTRUCTIONS**

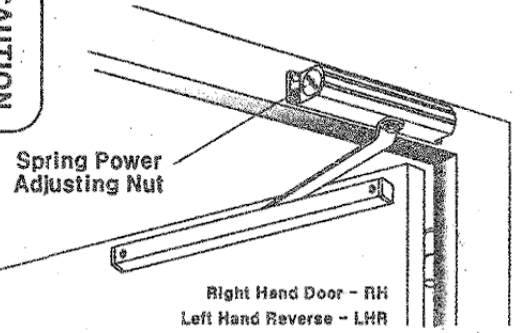


**PUSH SIDE**



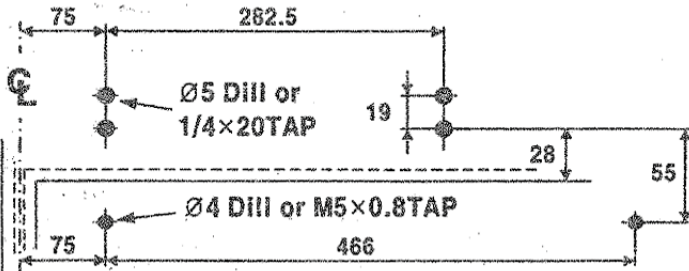
**CAUTION**  
AN INCORRECTLY INSTALLED OR IMPROPERLY ADJUSTED DOOR CLOSER CAN CAUSE PROPERTY DAMAGE OR PERSONAL INJURY. THESE INSTALLATION INSTRUCTIONS SHOULD BE FOLLOWED TO AVOID THE POSSIBILITY OF MISAPPLICATION OR MISADJUSTMENT.

**PUSH SIDE**



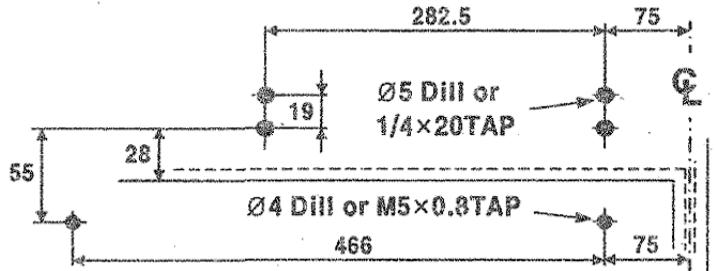
**★ INSTALLATION INSTRUCTIONS**

- 1** • Use template to locate holes on door and frame:  
4 on frame for body  
2 on door for track assembly.

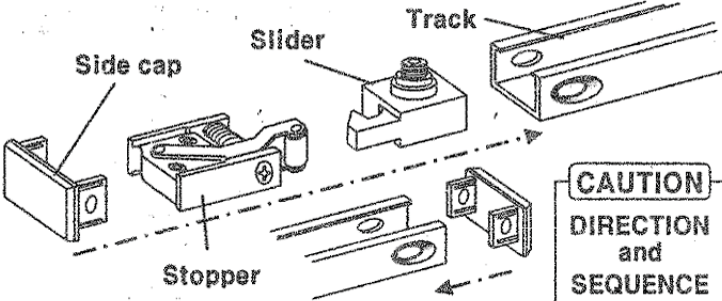


**★ INSTALLATION INSTRUCTIONS**

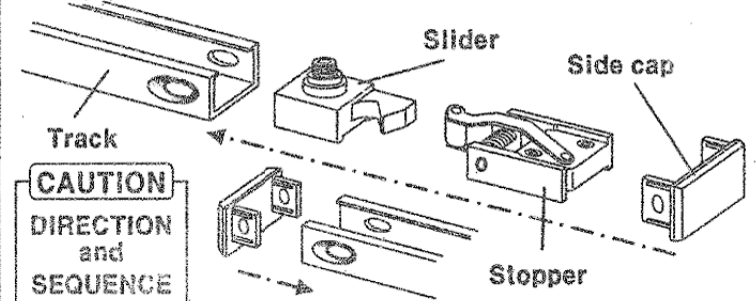
- 1** • Use template to locate holes on door and frame:  
4 on frame for body  
2 on door for track assembly.



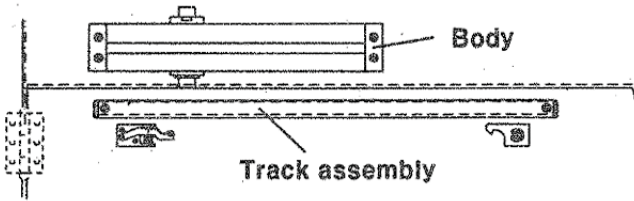
- 2** • Hold-Open: Slider, Stopper, Side cap in to the track.  
• Non Hold-Open: Slider, Side cap in to the track.



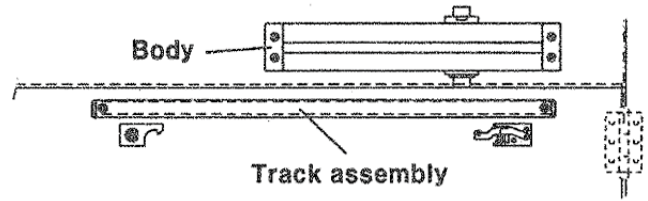
- 2** • Hold-Open: Slider, Stopper, Side cap in to the track.  
• Non Hold-Open: Slider, Side cap in to the track.



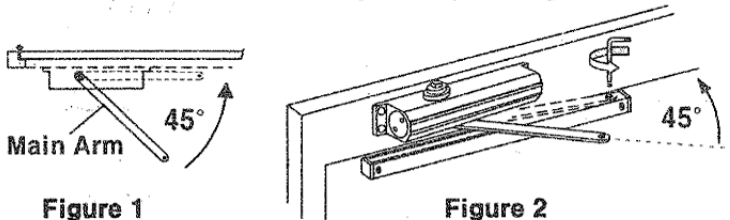
- 3** • Install the body to the frame.  
Install the track assembly to the door.



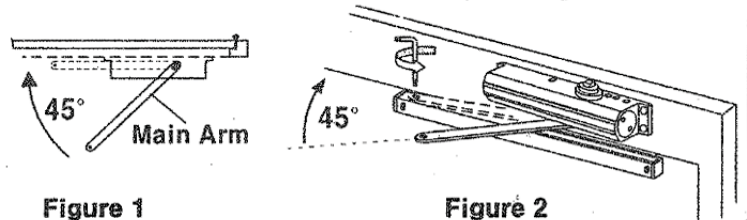
- 3** • Install the body to the frame.  
Install the assembly track to the door.



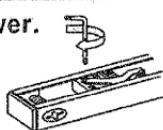
- 4** • Install main arm to pinion shaft, see Figure 1.  
• Set the main arm and the slider, see Figure 2.



- 4** • Install main arm to pinion shaft, see Figure 1.  
• Set the main arm and the slider, see Figure 2.

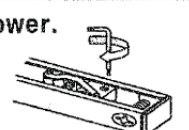


- 5** • Adjust Hold-Open angle and speed, power.  
• Install cover to the body



✱ See back page for closer adjustment.

- 5** • Adjust Hold-Open angle and speed, power.  
• Install cover to the body



✱ See back page for closer adjustment.