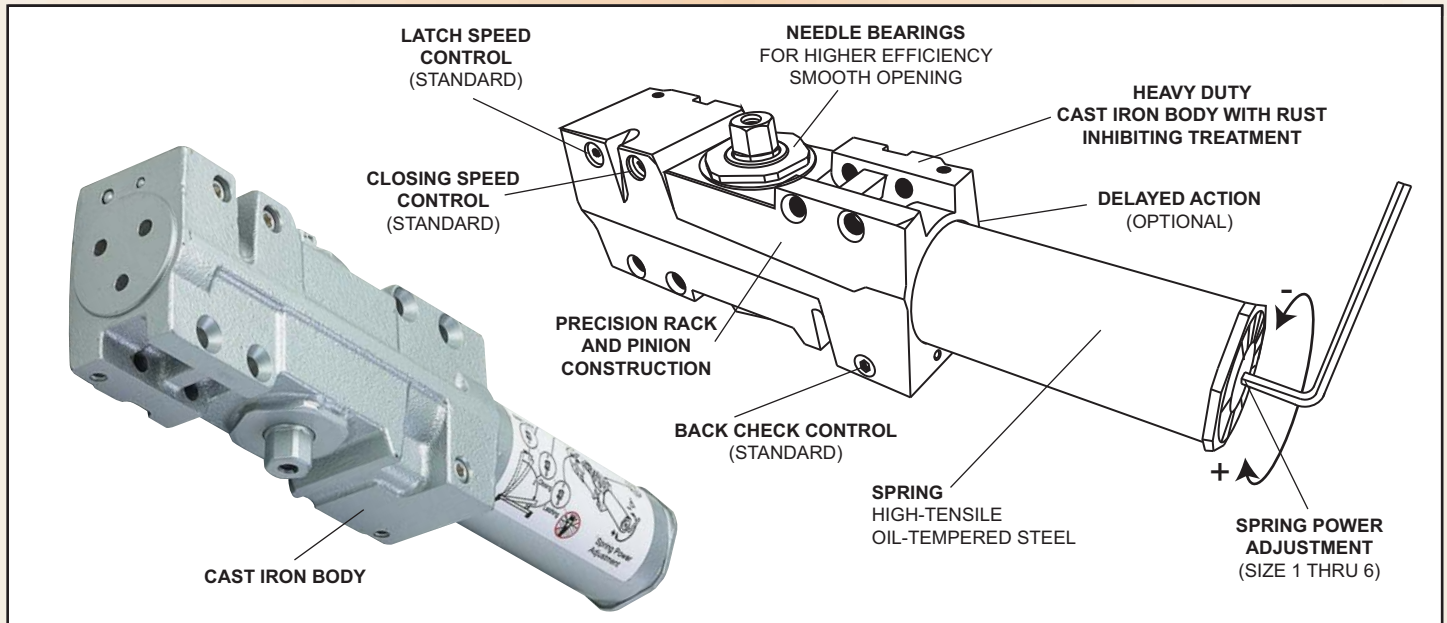




Lifetime
Warranty
BHMA
CERTIFIED

*** SAME HOLE PATTERN AS LCN 4040/4041**



- **CAL-ROYAL'S FINEST DOOR CLOSER SERIES MEETING THE HIGHEST INDUSTRY STANDARDS, GRADE 1**
- **HEAVY-DUTY DOUBLE LEVER ARM WITH EXTRA SMOOTH ACTION FULL FEATURE MULTI-SIZE COMMERCIAL DOOR CLOSER FOR USE IN OFFICE BUILDINGS, SHOPPING CENTERS AND OTHER COMMERCIAL BUILDINGS**
- **STANDARD BACK-CHECK FUNCTION**
- **FULL PLASTIC COVER IS STANDARD FEATURE. (METAL OPTIONAL)**
- **OPTIONAL PLATED METAL DECORATIVE COVERS**
- **OPTIONAL ADJUSTABLE DELAYED ACTION / BARRIER FREE FOR HANDICAPPED OR ELDERLY**

CR441 Series Door Closer

Full Cover Multi-size

Full Feature Closer

ANSI 156.4 Grade 1

**UL Listed, Conforms to Standards
UL10C and UBC7-2-1997**

BHMA Certified Lifetime Warranty



UL Listed, Conforms to Standards
UL10C and UBC-7-2-1997

CAL-ROYAL
P R O D U C T S , I N C .

CR441 Series Door Closer



Conforms to Standards
UL10C and UBC-7-2-1997

FEATURES


- Universal application. Non-handed for standard, top-jamb or parallel installation
- Non-sized, 1 thru 6. FACTORY PRESET SIZE 3 meets ADA.
- Standard adjustable back-check function
- Adjustable closing and latching speed by two separate regulating valves
- Optional adjustable delayed action (DA)  Preset at the factory for approximately 20 seconds, between 70° and 0°. Delay time easily adjusted up to 1 minute. CR441 DA
- Standard full plastic cover
- Self tapping screws and closer gauge for easy adjustment is standard feature.
- Available in Alum, Duro, Gold, US3, 26, 26D, 10B

ACCESSORIES

- Optional, parallel hold-open adjustable arm (non-handed). CR3049HO
- Non-handed forged solid steel parallel arm for extra abusive installations. CR3077HDAR
- Optional, non-handed parallel arm features solid forged steel main arm and forearm with stop in soffit shoe. CR3077SPAS
- Optional, non-handed parallel arm features solid forged steel main arm and forearm provides hold-open function with templated stop/hold-open points. Handle controls hold-open function. CR3049HOSRPS
- Optional, non-handed Super rigid parallel arm with spring loaded stop in soffit shoe. CR3077SPRING
- Optional, non-handed Super rigid parallel arm stopper hold open, non-handed with spring loaded stop in soffit shoe. Handle controls hold open function. CR3049HOSPRING
- Drop plate used where top rail is less than 3 3/4". CR18
- Drop plate for top jamb where face is less than 3 1/2". CR18TJ
- Drop plate for top jamb mounted closer flush with top of head frame face in flush ceiling conditon. Plate requires 1 3/4" minimum head frame. CR18G
- Drop plate for parallel arm mounting top rail is less than 5 1/2" measured from stop. Plate requires 2" minimum top rail. CR18PA
- Optional Metal cover.

REDUCED OPENING FORCE CR441 DOOR CLOSERS

IMPORTANT Any door closer, including those certified by BHMA to conform to **ANSI Standard A156.4** that is chosen, installed and adjusted based on ADA or other reduced opening force requirement may not provide sufficient power to close and latch a door. Location of door could also affect action and efficiency of door closer.

	DOOR WIDTH	36"	42"	48"
	**8.5 lbs. **5.0 lbs.	CR441 CR441	CR441 CR441	CR441 CR441

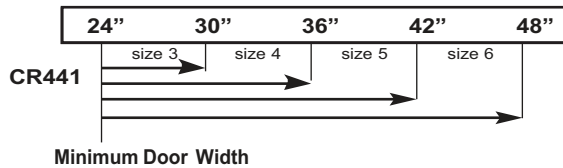
**Maximum Opening Force

TABLE OF SIZES

Closing power of CR441 Series closers may be adjusted 50%.

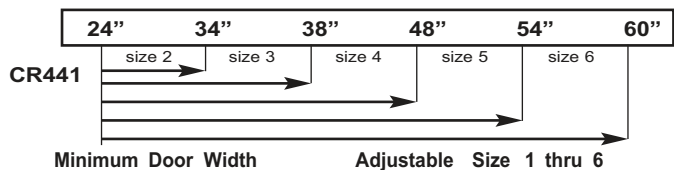
→ Shows recommended range of door width for closer size.

EXTERIOR (and VESTIBULE) DOOR WIDTH



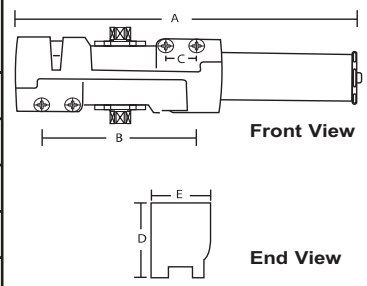
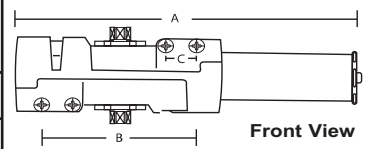
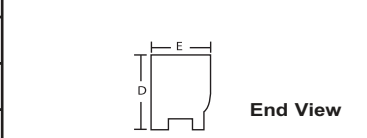
Minimum Door Width

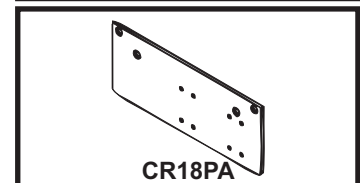
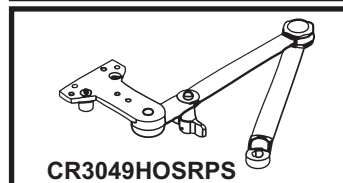
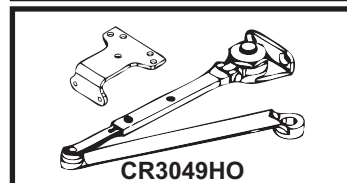
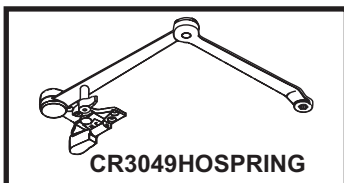
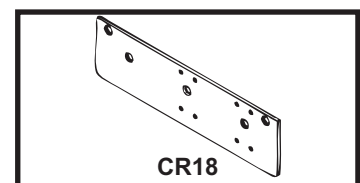
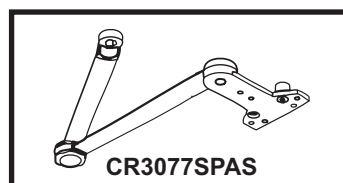
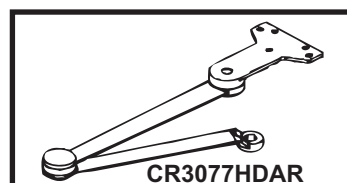
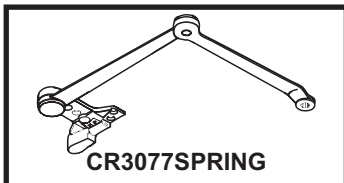
INTERIOR DOOR WIDTH



Minimum Door Width

Adjustable Size 1 thru 6

DESCRIPTION	SIZE	
A. Length of Closer Body	11"	 
B. Horizontal Mounting Holes	5"	
C. Vertical Mounting Holes	1"	
D. Width of Closer Body	2 3/4"	
E. Projection from Door	2"	



CROSS REFERENCES

CAL-ROYAL	LCN	DORMA	CORBIN	NORTON	RUSSWIN	SARGENT	YALE
CR441	4041	7800FCOV 7600FCOV	DC2200	7500	2820K	1230	4400

The data on this chart represents our judgement of which are most similar. Since no product is exactly alike the information has been obtained from trade sources. It is not guaranteed nor represented that any specific product exactly equals any other product. Door closer body size may be different.