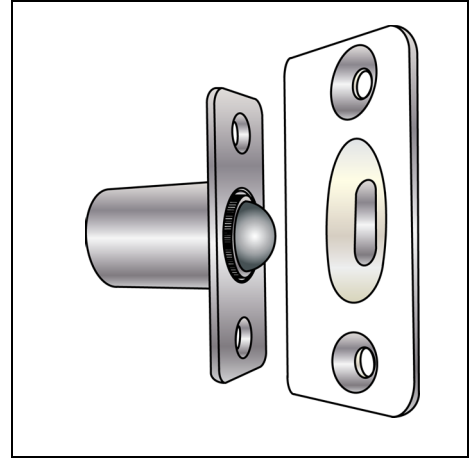
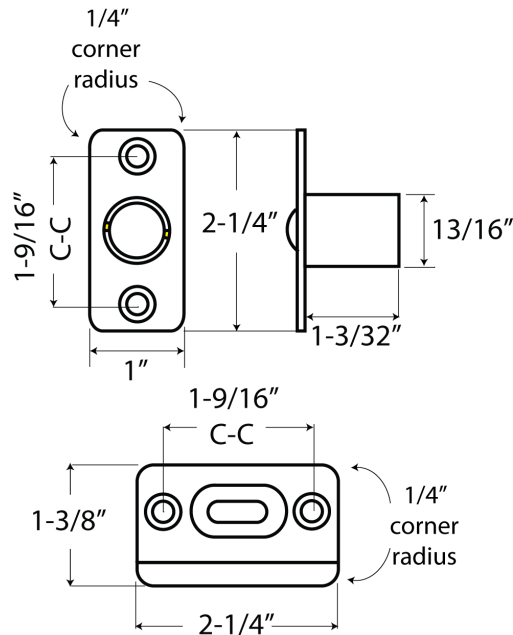


Ball Catches

- ⊙ Generally used on closet doors where latch is not used or needed
- ⊙ Die cast material
- ⊙ Jamb-mounted lip strike design
- ⊙ Double adjustment for door clearance and holding tension
- ⊙ Independent rolling ball allows smooth, positive and worry-free action
- ⊙ Adjustable threaded barrel for accommodating various door clearances
- ⊙ Rounded corners permit easy installation with router
- ⊙ Conforms to ANSI/BHMA A156.9 B23013
- ⊙ Architectural finishes available
- ⊙ Face plate and strike thickness: 1/16"



ITEM#	FACE PLATE	BORE	STRIKE	LIP TO CENTER	SCREWS
BC97	2-1/4" x 1"	3/4" x 1-1/4"	1-3/8" x 2-1/4"	7/8"	#8 x 3/4"



Cal-Royal Products, Inc.

6605 Flotilla St., City of Commerce, CA 90040 U.S.A.

Phone: (323) 888-6601 • (800) 876-9258 • Fax: (323) 888-6699 • (800) 222-3316

Email: sales@cal-royal.com • Website: www.cal-royal.com



The illustration and technical description in this Specification Sheet is current as of the date in the version box above. Cal-Royal Product reserves the right to, and may frequently make changes and/or improvements in designs and dimensions.