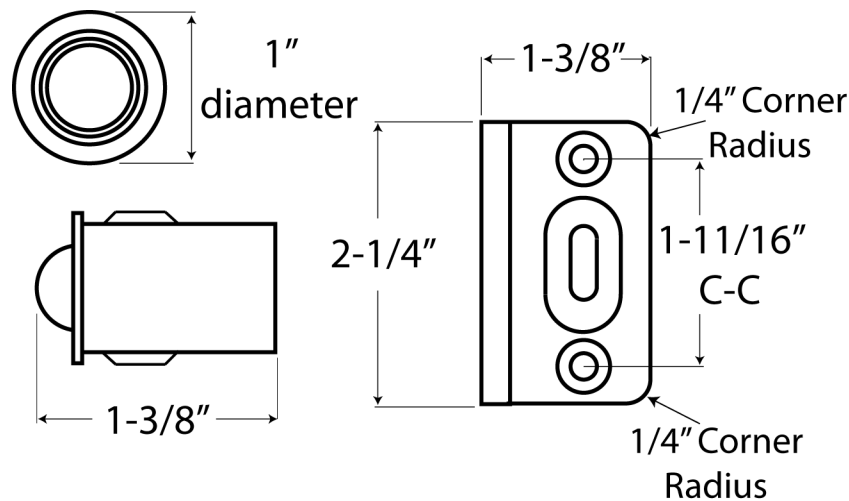
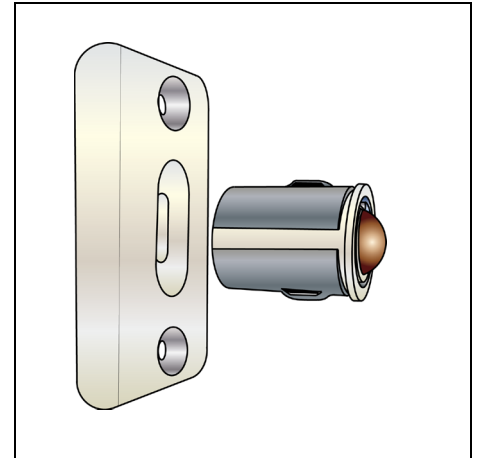


DIB1

Adjustable Drive-In Ball Catches

- ⊙ Generally used on closet doors where latch is not used or needed
- ⊙ Die cast material
- ⊙ Jamb-mounted lip strike
- ⊙ 1" Bore
- ⊙ Conforms to ANSI/BHMA A156.9 B23013
- ⊙ Architectural finishes available
- ⊙ Face plate and strike thickness: 1/16"
- ⊙ Screws : #8 x 3/4"



Cal-Royal Products, Inc.

6605 Flotilla St., City of Commerce, CA 90040 U.S.A.

Phone: (323) 888-6601 • (800) 876-9258 • Fax: (323) 888-6699 • (800) 222-3316

Email: sales@cal-royal.com • Website: www.cal-royal.com



The illustration and technical description in this Specification Sheet is current as of the date in the version box above. Cal-Royal Product reserves the right to, and may frequently make changes and/or improvements in designs and dimensions.