


CAL-ROYAL

P R O D U C T S, I N C.

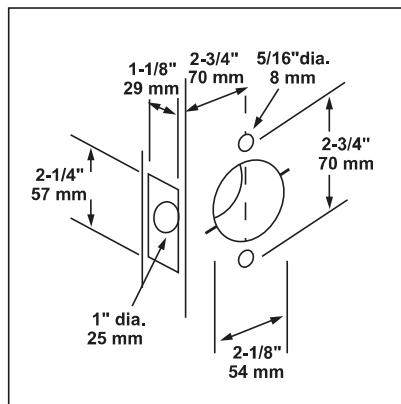
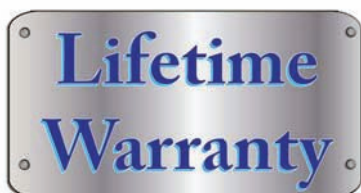
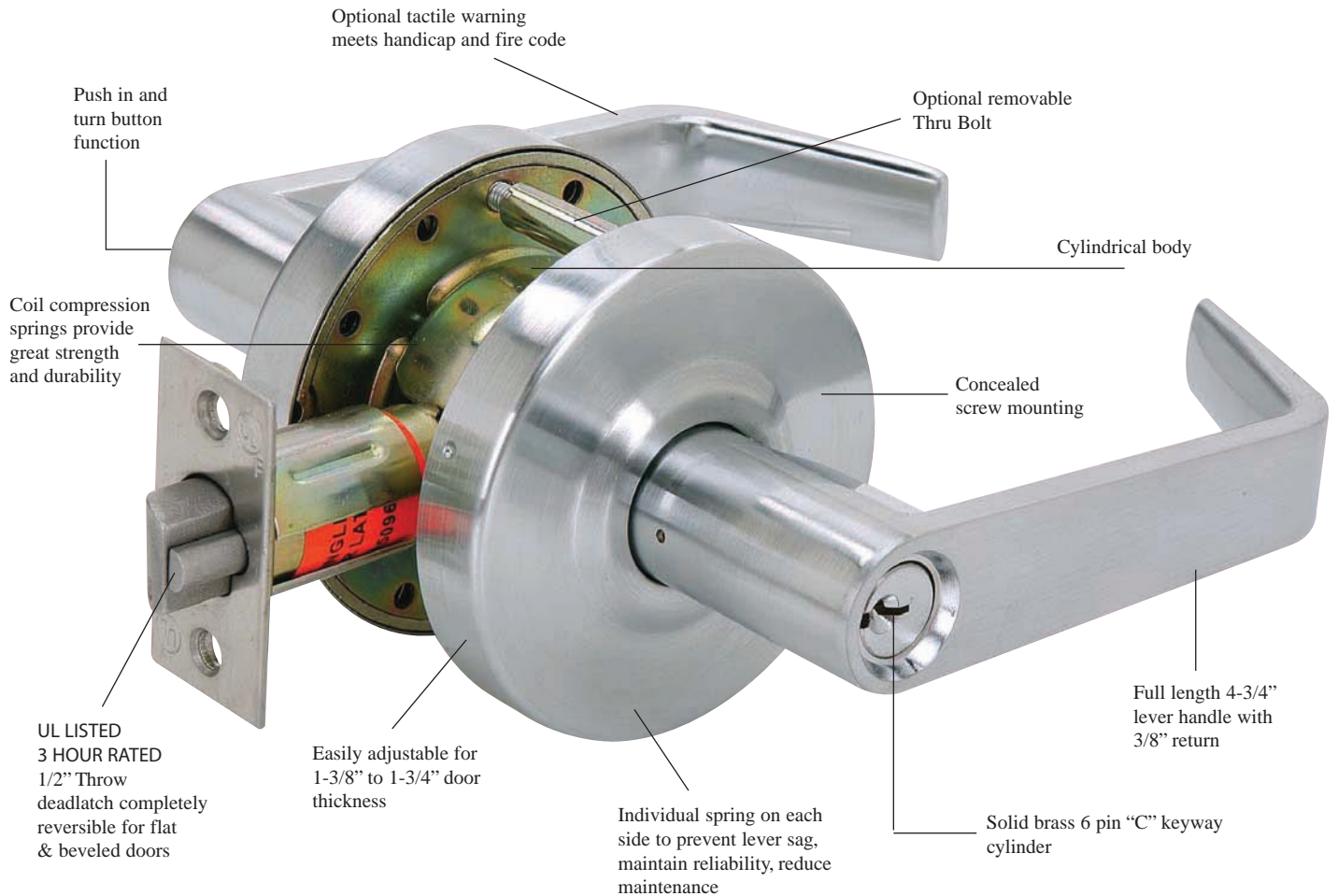
ALC SERIES
ANSI GRADE 2
STANDARD DUTY
CYLINDRICAL LEVERSET

 Meets ADA requirements.
Specially designed for
Barrier Free Application
Conforms with ANSI A156.2
Series 4000, Grade-2
Exceeds 400,000 cycles!

 LISTED

APOLLO

ALC SERIES CLUTCH MECHANISM
CLALC SERIES NON-CLUTCH MECHANISM
OPTIONAL THRU BOLT



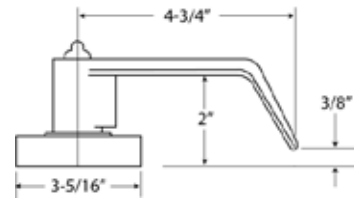
Door Preparation
when optional
Thru bolt is applied



FINISHES AVAILABLE

BHMA SYMBOL	US CODE	DESCRIPTION
605	US3	Polished Brass
606	US4	Satin Brass
612	US10	Satin Bronze
613	US10B	Oil Rubbed Bronze
625	US26	Bright Chrome
626	US26D	Satin Chrome

DIMENSIONS



The lever features a 3/8" return and projection of 2" from the face of the door.

ALC Design

SPECIFICATIONS

Applications

For offices, schools, hospitals, apartments, hotel/motel and other public buildings.

Door Ranges

1 3/8" to 1 3/4" thickness doors.

Backset

2-3/4" standard. Optional 2-3/8".

Front

2-1/4" X 1-1/8", adjustable for flat or beveled doors 1/8" in 2".

Strike

ASA strike standard, "T" and full lip strike available on request.

Latchbolt

1/2" Throw solid brass, reversible for RH or LH applications. UL listed.

Latch & Strike Screws

8-32 X 1" FPH dual purpose.

ANSI Standards

Meets and exceeds requirements of BHMA/ANSI A156.2 Series 4000, Grade 2(FF-H 106C), 400,000 cycles.

Exposed Trim

Wrought brass, bronze or stainless steel, levers are Zinc casting, plated to match trim finish.

Keying

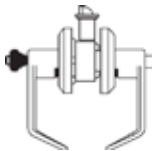
6-pin "C" keyway cylinder, 2 keys per lock. Keying as per individual job requirements.

Cylinders & Keyways

6 pin solid brass "C" keyway standard. Schlage C-K, Russwin D1, L4, Corbin 60, Sargent LA, Falcon/Weiser E, Arrow, Yale 8, Yale GA, Kwikset (optional). Can also accept Medeco, Assa, and Kaba High Security Cylinders.

Tactile & Lead Lining Available upon request.

ALC00
CLALC00



ENTRANCE/OFFICE LOCK

Turn/Push button locking. Pushing and turning button locks outside lever requiring use of key until button is manually unlocked. Pushing button locks outside lever until unlocked with key or inside lever is turned.

ALC03
CLALC03



CLASSROOM LOCK

Dead locking latch bolt operated by lever from either side except when outside lever is locked from outside by key. When outside lever is locked, latch bolt is operated by turning inside lever.

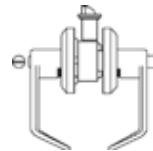
ALC05
CLALC05



STOREROOM LOCK

Dead locking latch bolt operated by key in outside lever or by rotating inside lever. Outside lever is always fixed.

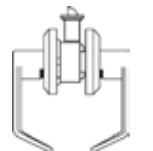
ALC20



PRIVACY LOCK

Latchbolt operated by lever from either side. Outside lever is locked by push button inside and unlocked by emergency release outside. Turning inside lever or closing door releases push button.

ALC30



PASSAGE SET

Latchbolt operated by lever from either side at all times.

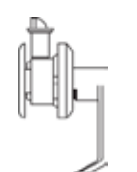
ALC40



DUMMY LEVER

Single dummy trim for one side of door. Pull only.

ALC50



EXIT

Blank plate outside. Inside lever always unlocked.

***OTHER FUNCTIONS NOT LISTED AVAILABLE UPON REQUEST**

CAL-ROYAL
PRODUCTS, INC.

6605 Flotilla St., Commerce, CA 90040 U.S.A.

Tel: (323) 888-6601 Fax: (323) 888-6699

Website: www.cal-royal.com Email: sales@cal-royal.com