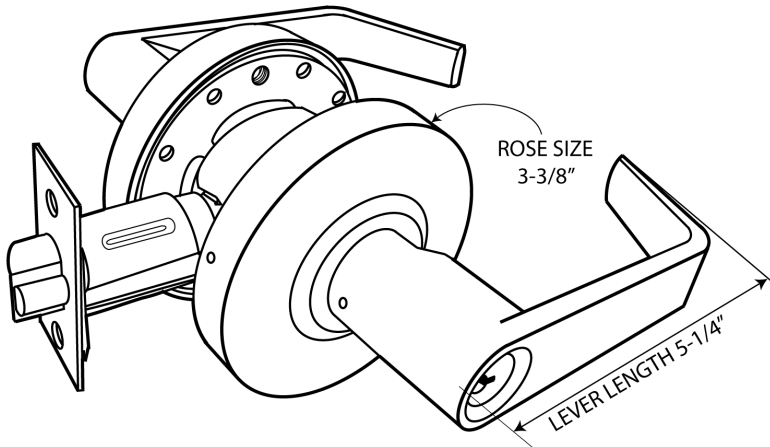


APOLLO

ALC Series (Non-Clutch Mechanism)
CLALC Series (Clutch Mechanism)



Finishes not shown are available subject to quantity and factory lead time. Use same price as US10B.

HEAVY DUTY CYLINDRICAL LEVERSETS, ANSI – A156.2, SERIES 4000, GRADE 2

ITEM#	FUNCTION	FINISH	ITEM#	FINISH	PCS/MC	UNIT
ALC00	Entrance	US3, US10B, US26D	CLALC00	US10B, US26D	10	EA
ALC05	Storeroom		CLALC05			
ALC03	Classroom		CLALC03			
ALC20	Privacy					
ALC30	Passage					
ALC40	Dummy					

► **PACKAGING INCLUDES**

- UL Listed 2 3/4", 2 1/4" faceplate
- Standard "C", 6 pin cylinder
- ASA Strike

► **MOUNT**

- 2 hole wooden mount
- Part#** SLMOUNT

► **TACTILE LEAD LINING**

- Lead lining **Part#** LEAD
- Tactile **Part#** TAC

ADDITIONAL PARTS & CHARGES

◆◆◆ (STANDARD DISCOUNT ONLY) ◆◆◆

Backsets: UL listed 2-3/8", (2 1/4" x 1") faceplate, **NO EXTRA CHARGE** if ordered with lock only. Otherwise \$11.00 list each.

ITEM#	DESCRIPTION	UNIT
ALC-ULSLD-238 US3,26D,10B,10,26	ALC Series dead latch 2-3/8"	EA
ALC-ULSLS-238 US3,26D,10B,10,26	ALC Series spring latch 2-3/8"	
◆ EXTRA UL LISTED BACKSET		
ALC-ULSLD-234 US3,26D,10B,10,26	ALC Series dead latch 2 3/4"	
ALC-ULSLS-234 US3,26D,10B,10,26	ALC Series spring latch 2 3/4"	
◆ STRIKES		
FLS	Full lip strike	
TS	T strike	



CAL-ROYAL PRODUCTS, INC.
Tel: 800-876-9258 / Fax: 800-222-3316