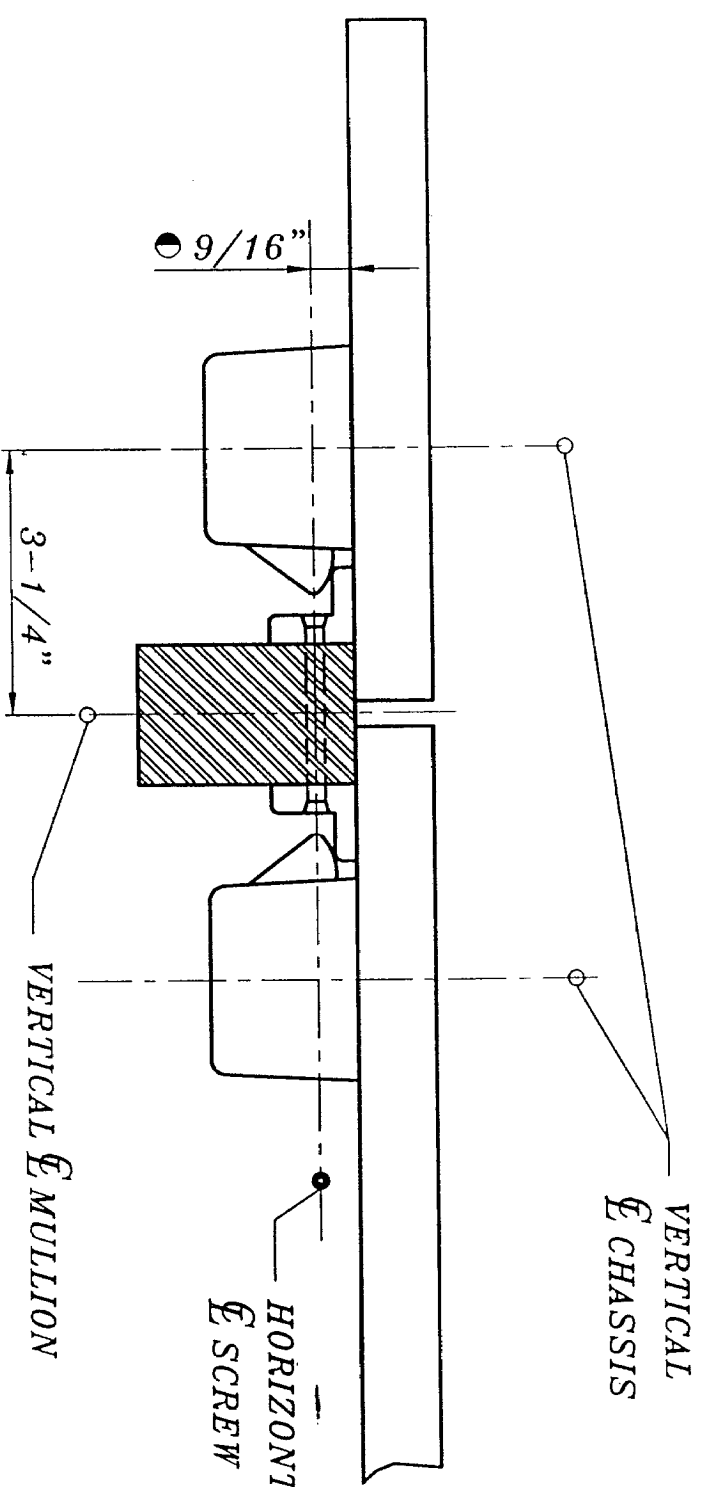
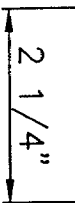


HORIZONTAL
LATCH BOLT

DOUBLE DOOR
WITH MULLION



1/8"
ENTER CASE
ACCORDINGLY,
SEE ON ORDER).

245

(C)

| | |
|--------------------------------------|----------|
| TEMPLATE: STIRKE FIRE EXIT DEVICE | |
| 日期 | 01.05.04 |
| 檔名 | 9000-FDS |