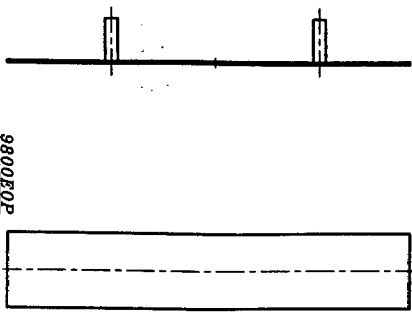
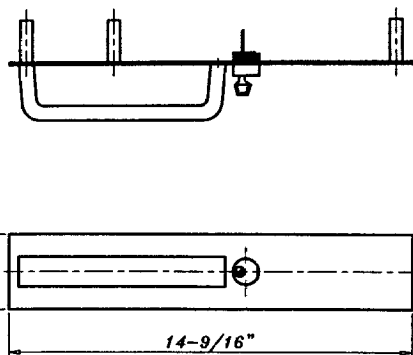


REFER TO EXIT DEVICE TEMPLATE FOR LINE
OF VERTICAL & HORIZONTAL REFERENCE LINE

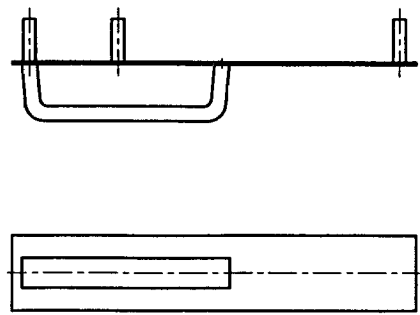


9800EOP

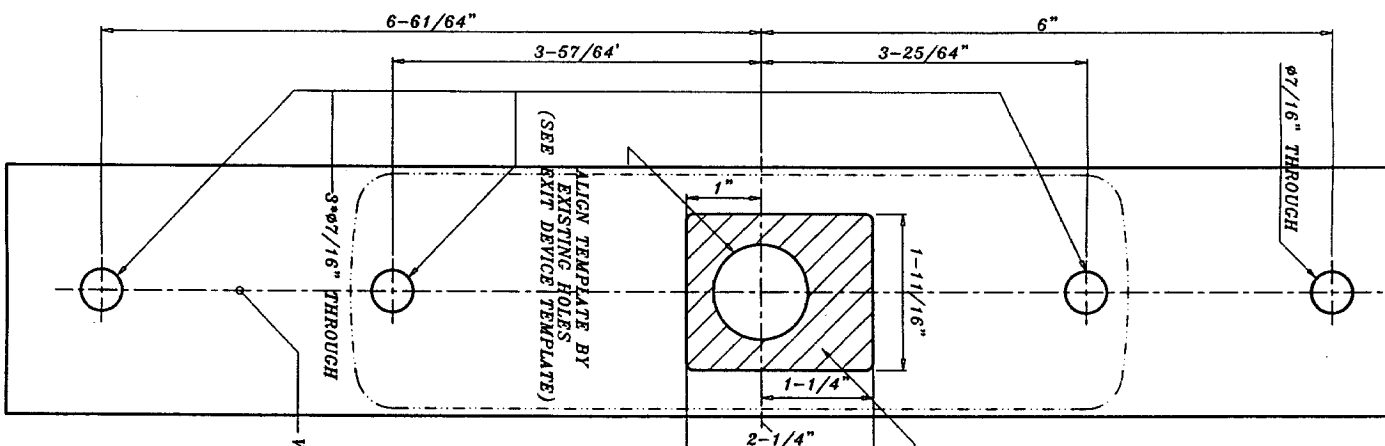
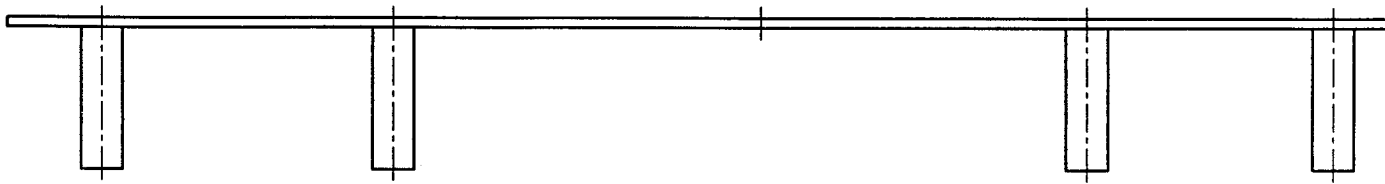


9800NL

14-9/16"



9800DTP



9800NL

TEMPLATE: PULL TRIM	
日期	01.05.04
標名	6000-9800NL