

# CAL-ROYAL PRODUCTS, INC.

CITY OF COMMERCE, CA 90040

U.S.A.

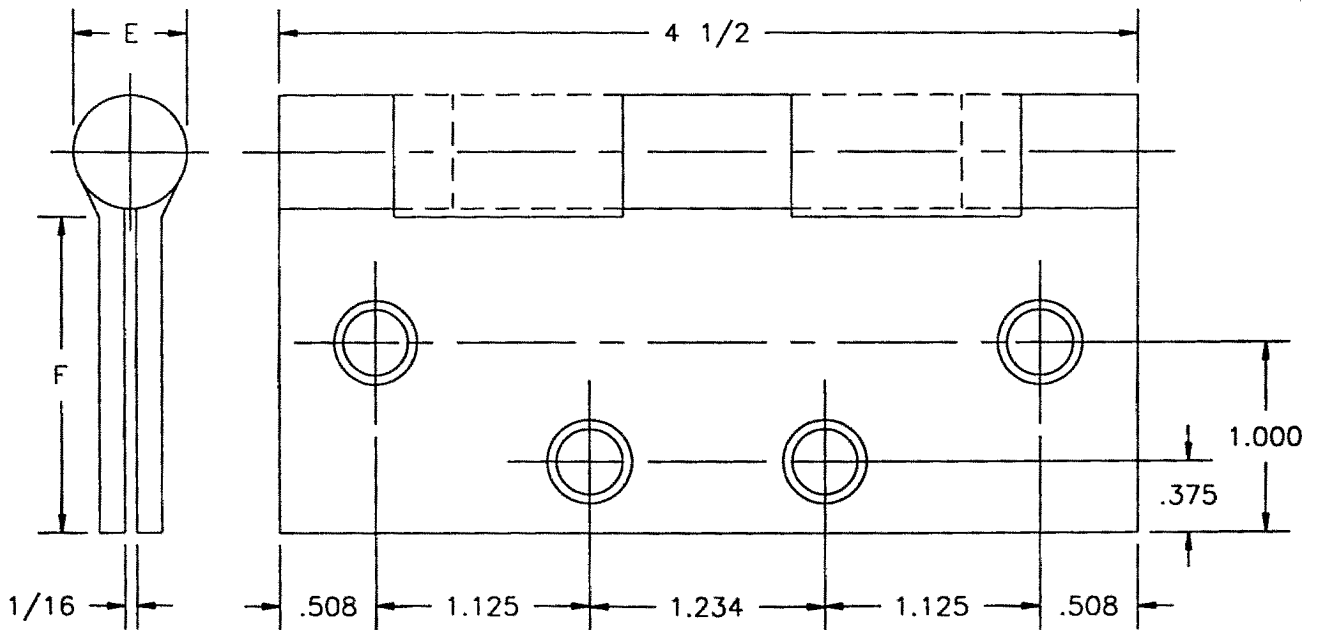
E-MAIL: sales@cal-royal.com

PHONE: 323-888-6601 FAX: 323-888-6699

## FULL MORTISE TEMPLATE HINGES

BB3300

4.5 X 4.5



-DO NOT SCALE-

CATALOG NUMBER		METAL GAUGE	(E) KNUCKLE DIAMETER	(F) DISTANCE FROM EDGE OF LEAF TO SWAGE LINE	
STEEL HINGES	NON-FERROUS HINGES			4 1/2 x 4 1/2	4 1/2
		.180	45/64	1 9/16	1 13/16

ALL DIMENSIONS ARE IN INCHES.

Machine Screw Size- 12-24 x 1/2" F.H.

Wood Screw Size- No. 12 x 1 1/4" F.H.

Template