

CAL-ROYAL PRODUCTS, INC.

CITY OF COMMERCE, CA 90040

U.S.A.

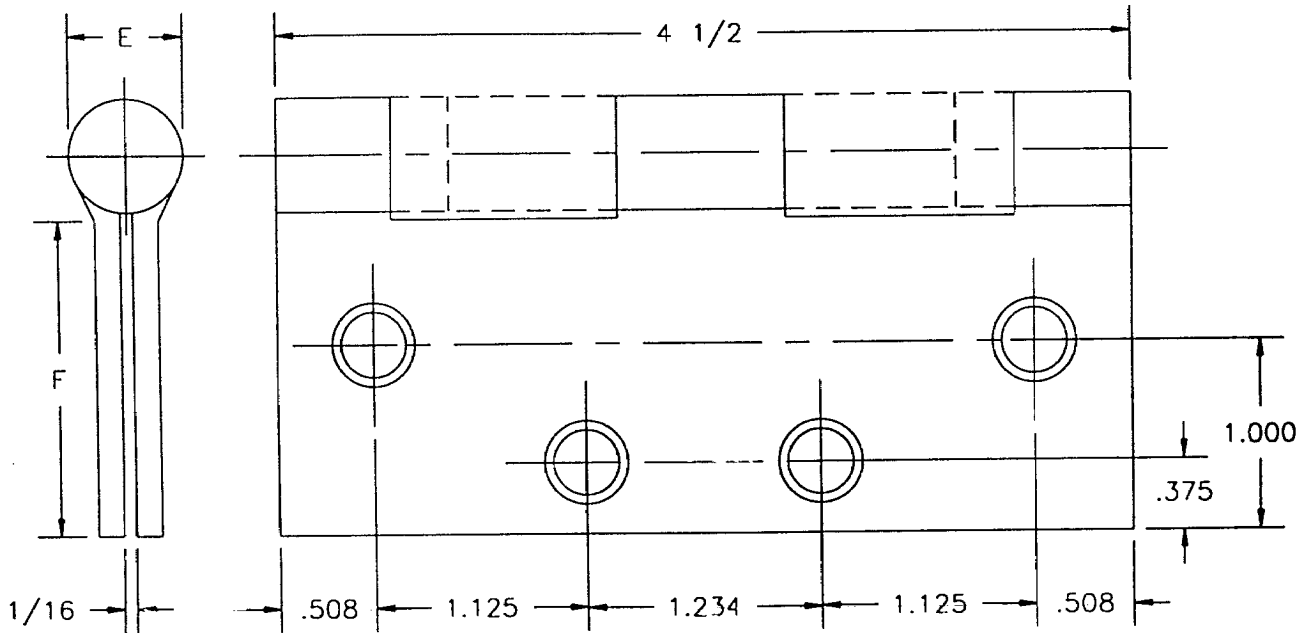
E-MAIL: sales@cal-royal.com

PHONE: 323-888-6601 FAX: 323-888-6699

BB454

FULL MORTISE TEMPLATE HINGES

SIZES: 4 1/2 x 4, 4 1/2 x 4 1/2, 4 1/2 x 5, 4 1/2 x 6,
4 1/2 x 7, 4 1/2 x 8



-DO NOT SCALE-

CATALOG NUMBER		METAL GAUGE	(E) KNUCKLE DIAMETER	(F) DISTANCE FROM EDGE OF LEAF TO SWAGE LINE					
STEEL HINGES	NON-FERROUS HINGES			4 1/2 x 4					
	1191	.134	39/64	1 5/8	1 7/8	2 1/8	2 5/8	3 1/8	3 5/8
						---	---	---	---

ALL DIMENSIONS ARE IN INCHES.

Machine Screw Size- 12-24 x 1/2" F.H.

Wood Screw Size- No. 12 x 1 1/4" F.H.