

CAL-ROYAL PRODUCTS, INC.

CITY OF COMMERCE, CA 90040

U.S.A.

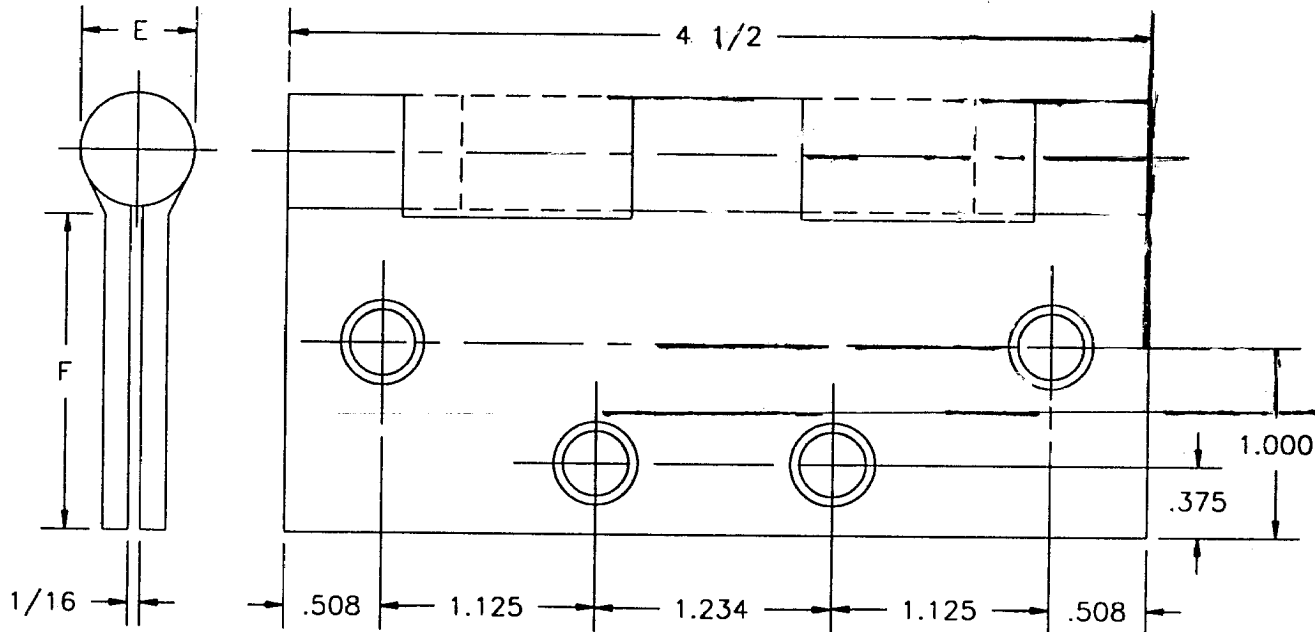
E-MAIL: sales@cal-royal.com

PHONE: 323-888-6601 FAX: 323-888-6699

BB5200

FULL MORTISE TEMPLATE HINGES

SIZES: 4 1/2 x 4, 4 1/2 x 4 1/2, 4 1/2 x 5, 4 1/2 x 6,
4 1/2 x 7, 4 1/2 x 8



-DO NOT SCALE-

CATALOG NUMBER	METAL GAUGE	(E) KNUCKLE DIAMETER	(F) DISTANCE FROM EDGE OF LEAF TO SWAGE LINE					
			4 1/2 x 4	4 1/2 x 4 1/2	4 1/2 x 5	4 1/2 x 6	4 1/2 x 7	4 1/2 x 8
	.180	45/64	1 9/16	1 13/16	2 1/16	2 9/16	3 1/16	3 9/16

ALL DIMENSIONS ARE IN INCHES.

Machine Screw Size- 12-24 x 1/2" F.H.

Wood Screw Size- No. 12 x 1 1/4" F.H.