

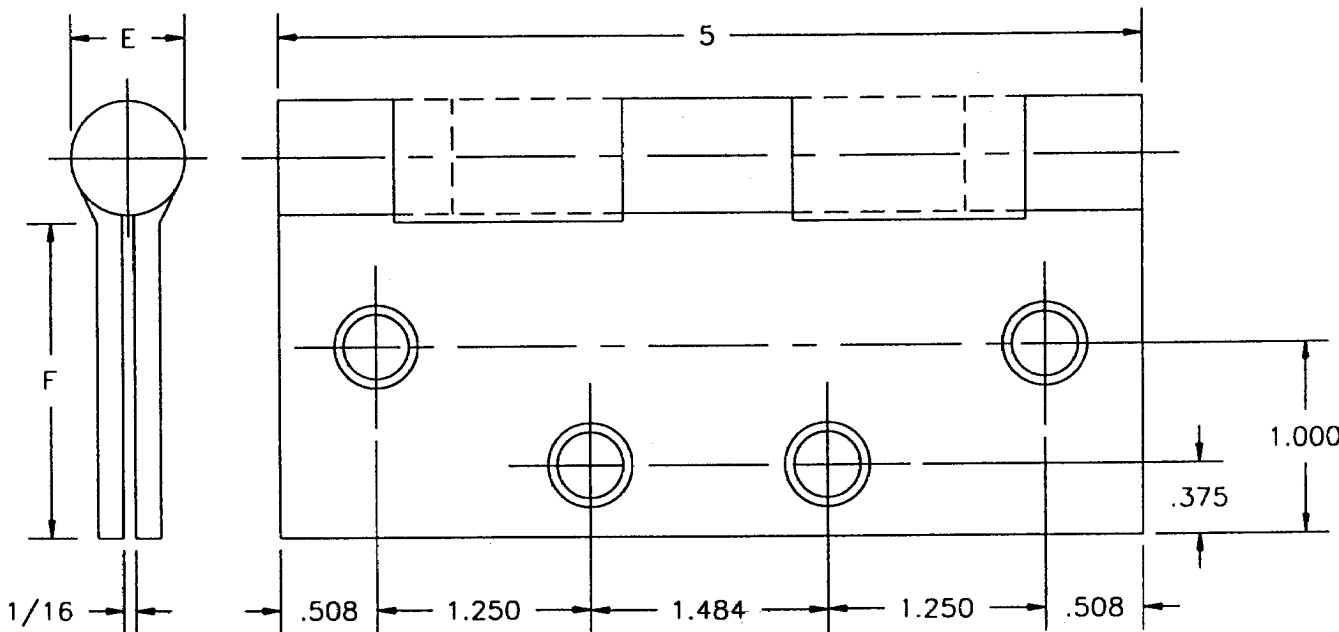
CAL-ROYAL PRODUCTS, INC.
CITY OF COMMERCE, CA 90040
U.S.A.

E-MAIL: sales@cal-royal.com
PHONE: 323-888-6601 FAX: 323-888-6699

BB5210

**FULL MORTISE
 TEMPLATE HINGES**

SIZES: 5 x 4, 5 x 4 1/2, 5 x 5, 5 x 6, 5 x 7, 5 x 8



-DO NOT SCALE-

CATALOG NUMBER		METAL GAUGE	(E) KNUCKLE DIAMETER	(F) DISTANCE FROM EDGE OF LEAF TO SWAGE LINE					
STEEL HINGES	NON-FERROUS HINGES			5 x 4	5 x 4 1/2	5 x 5	5 x 6	5 x 7	5 x 8
		.190	47/64	1 9/16	1 13/16	2 1/16	2 9/16	3 1/16	3 9/16

ALL DIMENSIONS ARE IN INCHES.

Machine Screw Size- 12-24 x 1/2" F.H.

Wood Screw Size- No. 12 x 1 1/4" F.H.