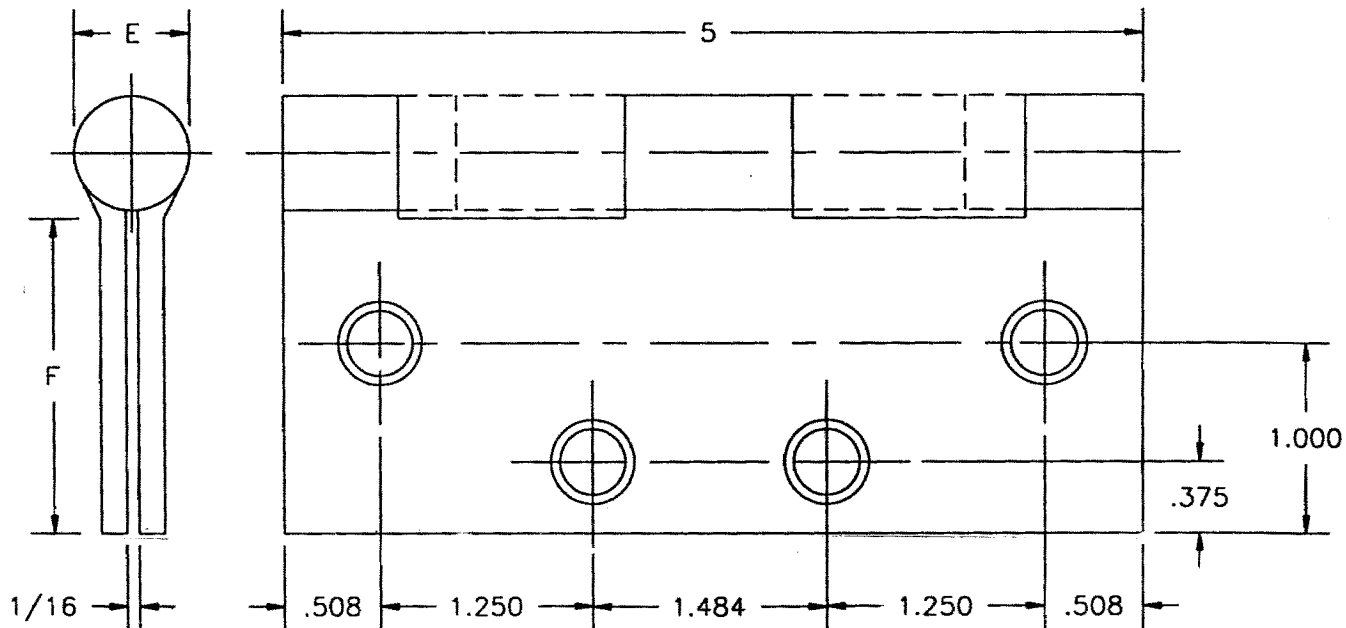


# BB54

## FULL MORTISE TEMPLATE HINGES

SIZES: 5 x 4,



-DO NOT SCALE-

CATALOG NUMBER		METAL GAUGE	(E) KNUCKLE DIAMETER	(F) DISTANCE FROM EDGE OF LEAF TO SWAGE LINE
STEEL HINGES	NON-FERROUS HINGES			5 x 4
BB		.145	41/64	1 5/8

ALL DIMENSIONS ARE IN INCHES.

Machine Screw Size- 12-24 x 1/2" F.H.  
Wood Screw Size- No. 12 x 1 1/4" F.H.