

CAL-ROYAL PRODUCTS, INC.

CITY OF COMMERCE, CA 90040

U.S.A.

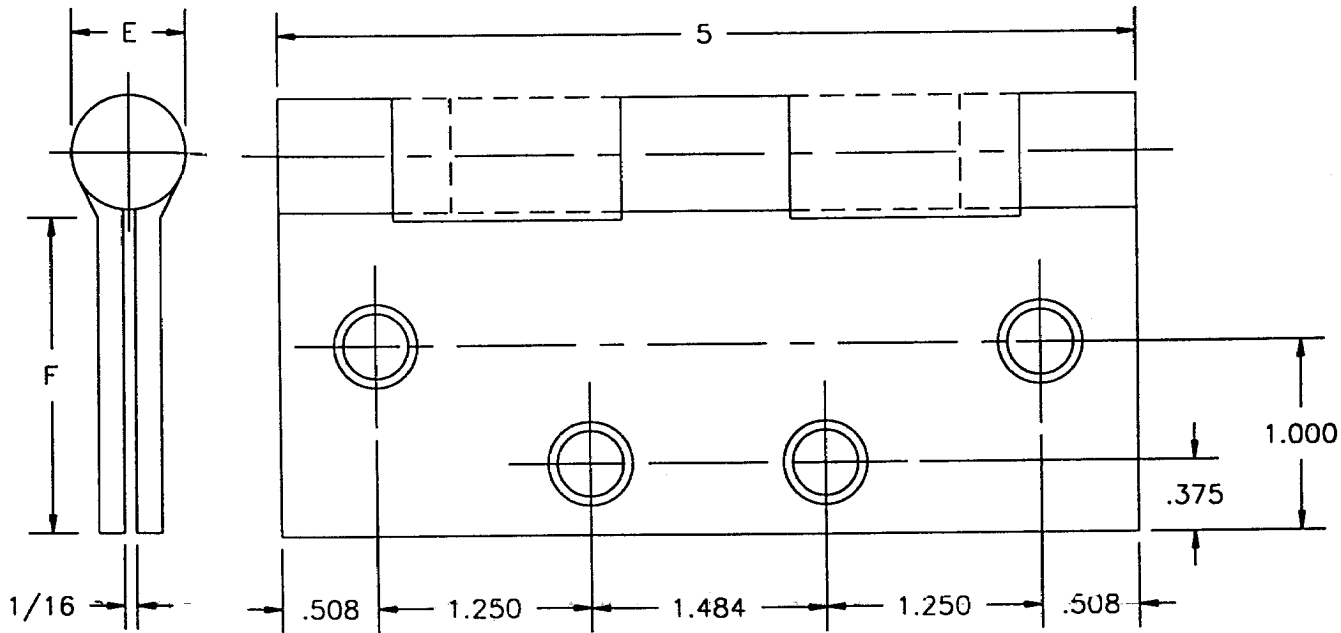
E-MAIL: sales@cal-royal.com

PHONE: 323-888-6601 FAX: 323-888-6699

BB545

FULL MORTISE TEMPLATE HINGES

SIZE : 5 x 4 1/2



-DO NOT SCALE-

| CATALOG NUMBER | | METAL GAUGE | (E) KNUCKLE DIAMETER | (F) DISTANCE FROM EDGE OF LEAF TO SWAGE LINE | |
|----------------|--|-------------|----------------------|--|--|
| STEEL HINGES | | | | 5 x 4 1/2 | |
| | | | | | |
| | | | | | |
| BB545 | | .145 | 41/64 | 1 7/8 | |
| | | | | | |

ALL DIMENSIONS ARE IN INCHES.

Machine Screw Size- 12-24 x 1/2" F.H.

Wood Screw Size- No. 12 x 1 1/4" F.H.