

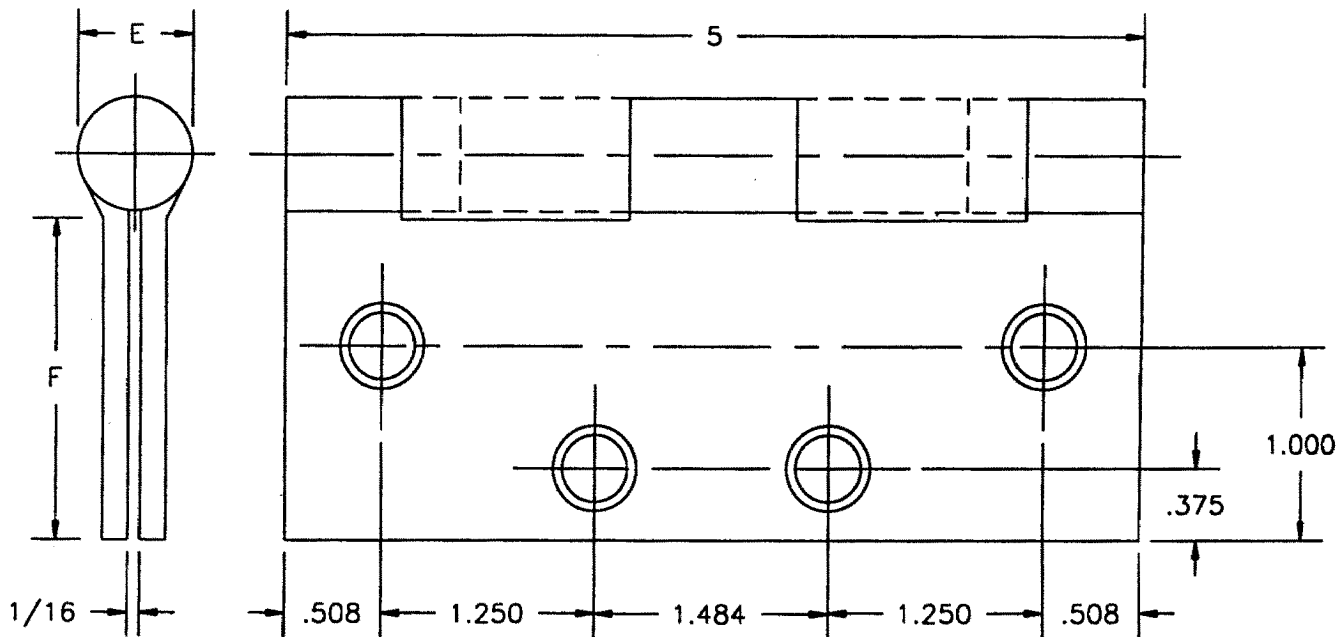
CAL-ROYAL PRODUCTS, INC.

CITY OF COMMERCE, CA 90040

PH. 213-888-6601 FAX 213-888-6699

FULL MORTISE TEMPLATE HINGES

SIZES: 5 x 4, 5 x 4 1/2, 5 x 5, 5 x 6, 5 x 7, 5 x 8



-DO NOT SCALE-

BB55

CATALOG NUMBER		METAL GAUGE	(E) KNUCKLE DIAMETER	(F) DISTANCE FROM EDGE OF LEAF TO SWAGE LINE					
STEEL HINGES	NON-FERROUS HINGES			5 x 4	5 x 4 1/2	5 x 5	5 x 6	5 x 7	5 x 8
		.145	5/8	1 5/8	1 7/8	2 1/8	---	---	---
		.145	41/64	1 5/8	1 7/8	2 1/8	2 5/8	3 1/8	3 5/8
		.145	5/8	1 5/8	1 7/8	2 1/8	2 5/8	3 1/8	3 5/8
BB 55		.145	41/64	1 5/8	1 7/8	2 1/8	2 5/8	3 1/8	3 5/8
		.190	47/64	1 9/16	1 13/16	2 1/16	2 9/16	3 1/16	3 9/16
		.190	47/64	1 9/16	1 13/16	2 1/16	2 9/16	3 1/16	3 9/16

ALL DIMENSIONS ARE IN INCHES.

Machine Screw Size- 12-24 x 1/2" F.H.

Wood Screw Size- No. 12 x 1 1/4" F.H.

Template