

CAL-ROYAL PRODUCTS, INC.

CITY OF COMMERCE, CA 90040

U.S.A.

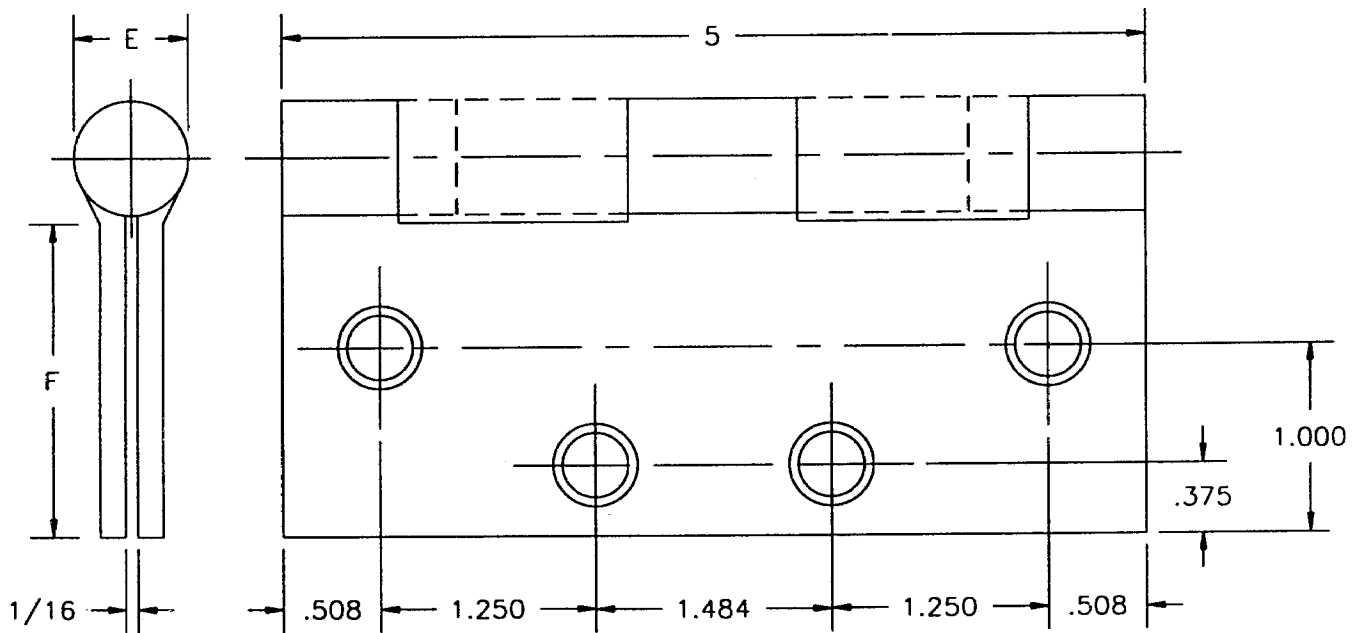
E-MAIL: sales@cal-royal.com

PHONE: 323-888-6601 FAX: 323-888-6699

FULL MORTISE TEMPLATE HINGES

5 x 5.

BB5500HD



-DO NOT SCALE-

CATALOG NUMBER		METAL GAUGE	(E) KNUCKLE DIAMETER	(F) DISTANCE FROM EDGE OF LEAF TO SWAGE LINE	
STEEL HINGES	NON-FERROUS HINGES				5 x 5
BB5500HD		.190	47/64		2 1/16

ALL DIMENSIONS ARE IN INCHES.

Machine Screw Size- 12-24 x 1/2" F.H.

Wood Screw Size- No. 12 x 1 1/4" F.H.