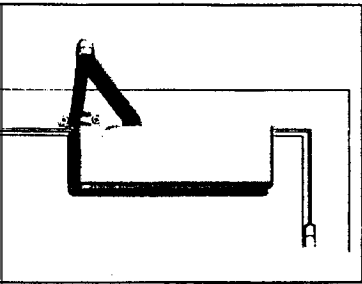
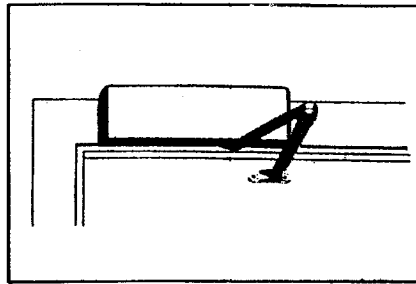


# DOOR CLOSER SERIES CR4041 INSTALLATION INSTRUCTION

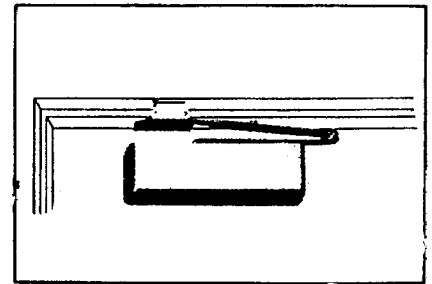
**STANDARD MOUNT  
(PULL SIDE)**



**TOP JAMB MOUNT  
(PUSH SIDE)**

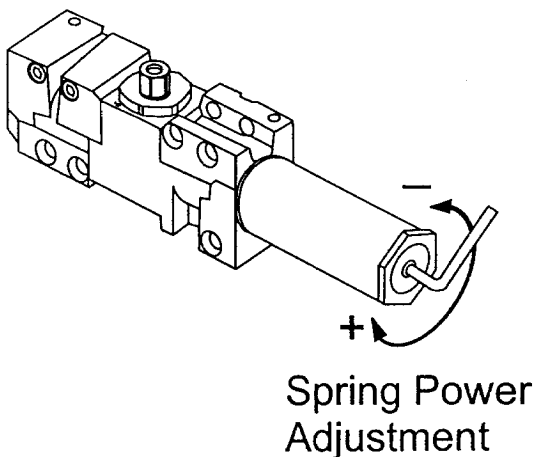


**PARALLEL MOUNT  
(PUSH SIDE)**



MAXIMUM DOOR WIDTH		FULL TURNS REQUIRED
EXTERIOR DOORS	INTERIOR DOORS	
—	5 lb-ft*	5 TURNS C.C.W.
8.5 lb-ft*	34" (864)	2 TURNS C.C.W.
30" (762)	38" (962)	0 TURNS
36" (914)	48" (1219)	5 TURNS C.W.
42" (1067)	54" (1372)	10 TURNS C.W.
48" (1219)	60" (1524)	15 TURNS C.W.

**HOW TO DEFINE HAND OF DOOR**



**CONTROL RANGE**

Back Check

